

CSB

INDICE - INDEX - SOMMAIRE - VERZEICHNIS

rev.

CSB-01

Carrozzeria ROSSO - Body parts RED
Carrosserie ROUGE - Karosserie ROT

01
01/2007

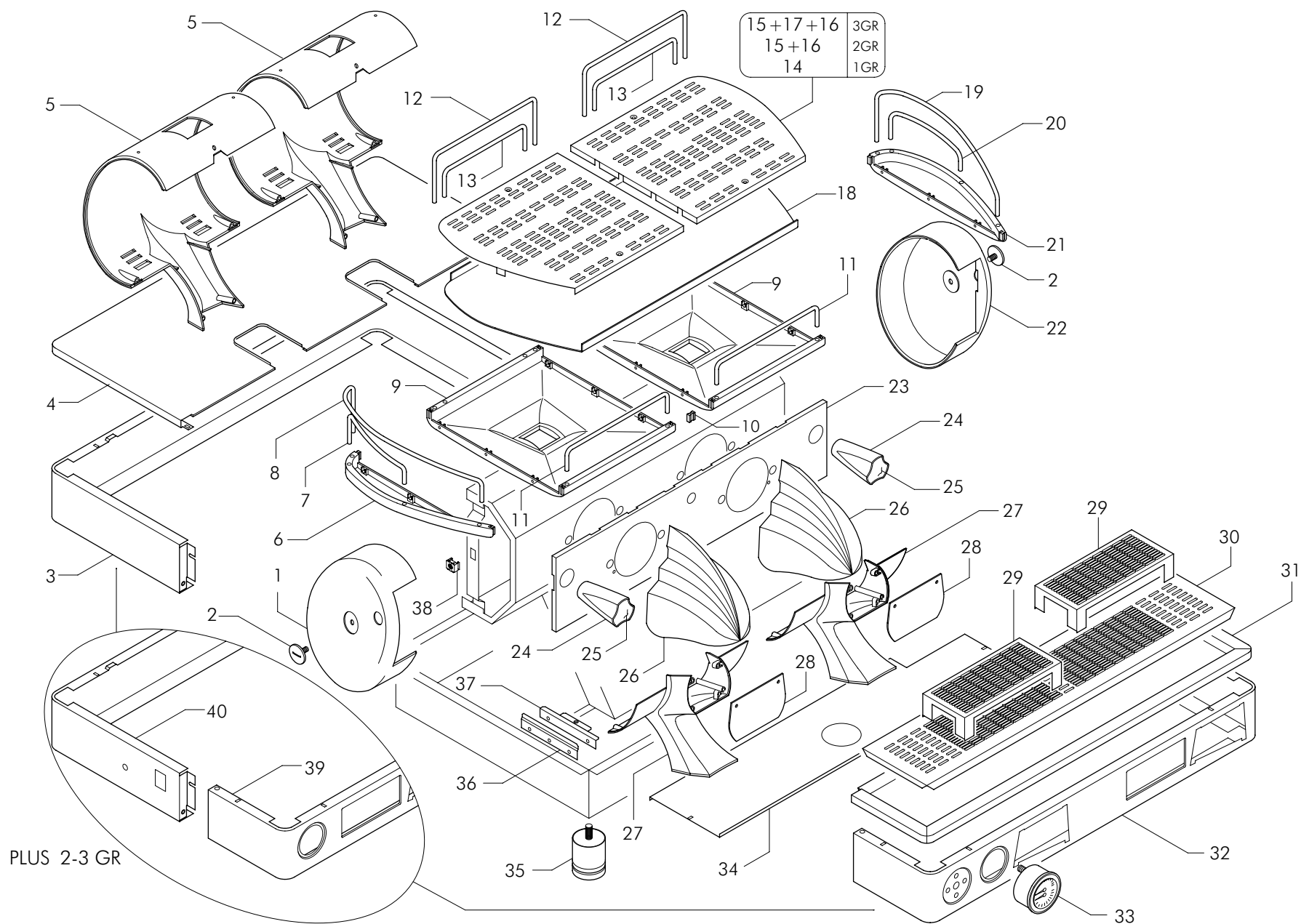
CSB-02

Carrozzeria NERO - Body parts BLACK
Carrosserie NOIR - Karosserie SCHWARZ

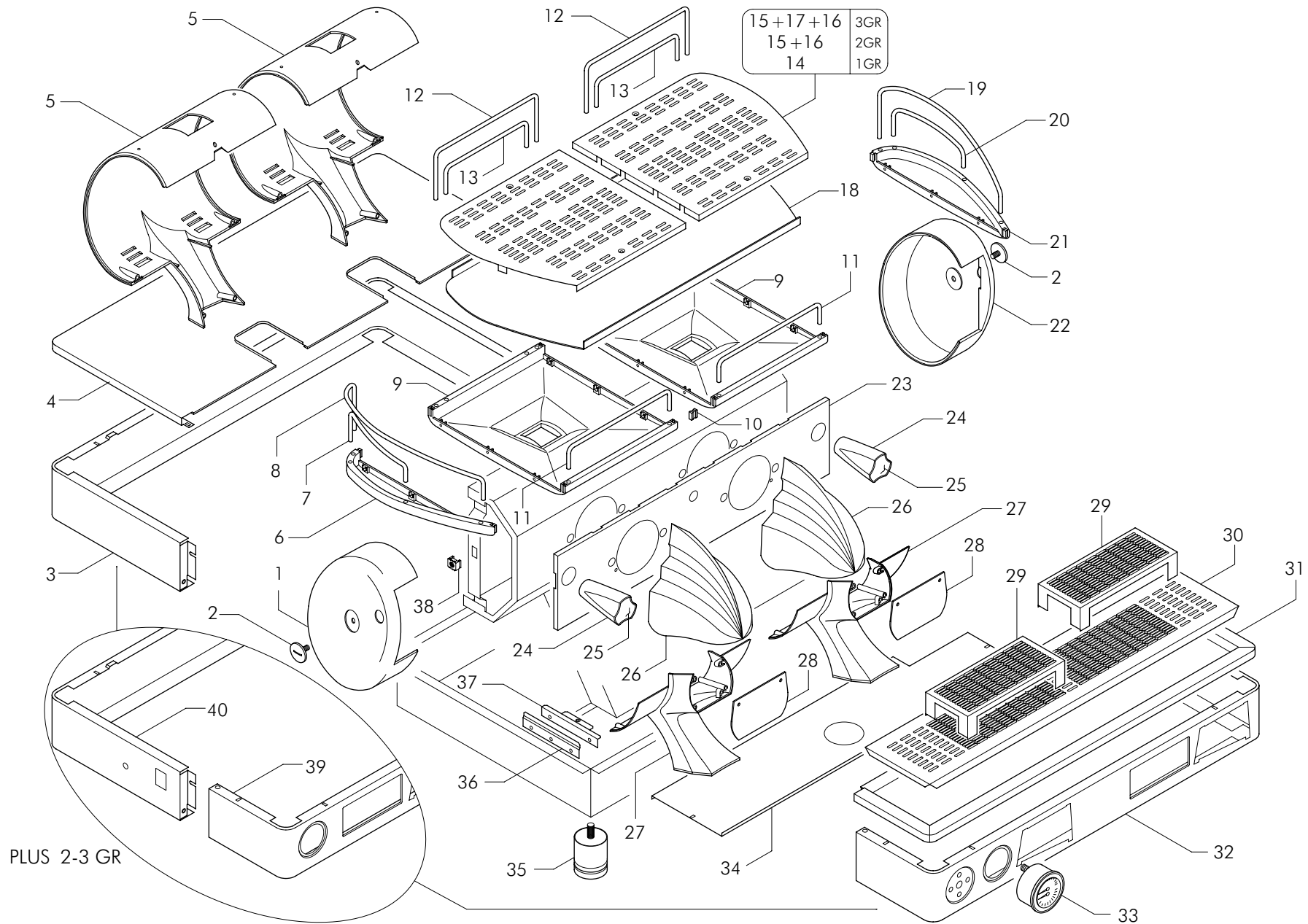
01
01/2007

Carrozzeria
Body parts
Carrosserie
Karosserie

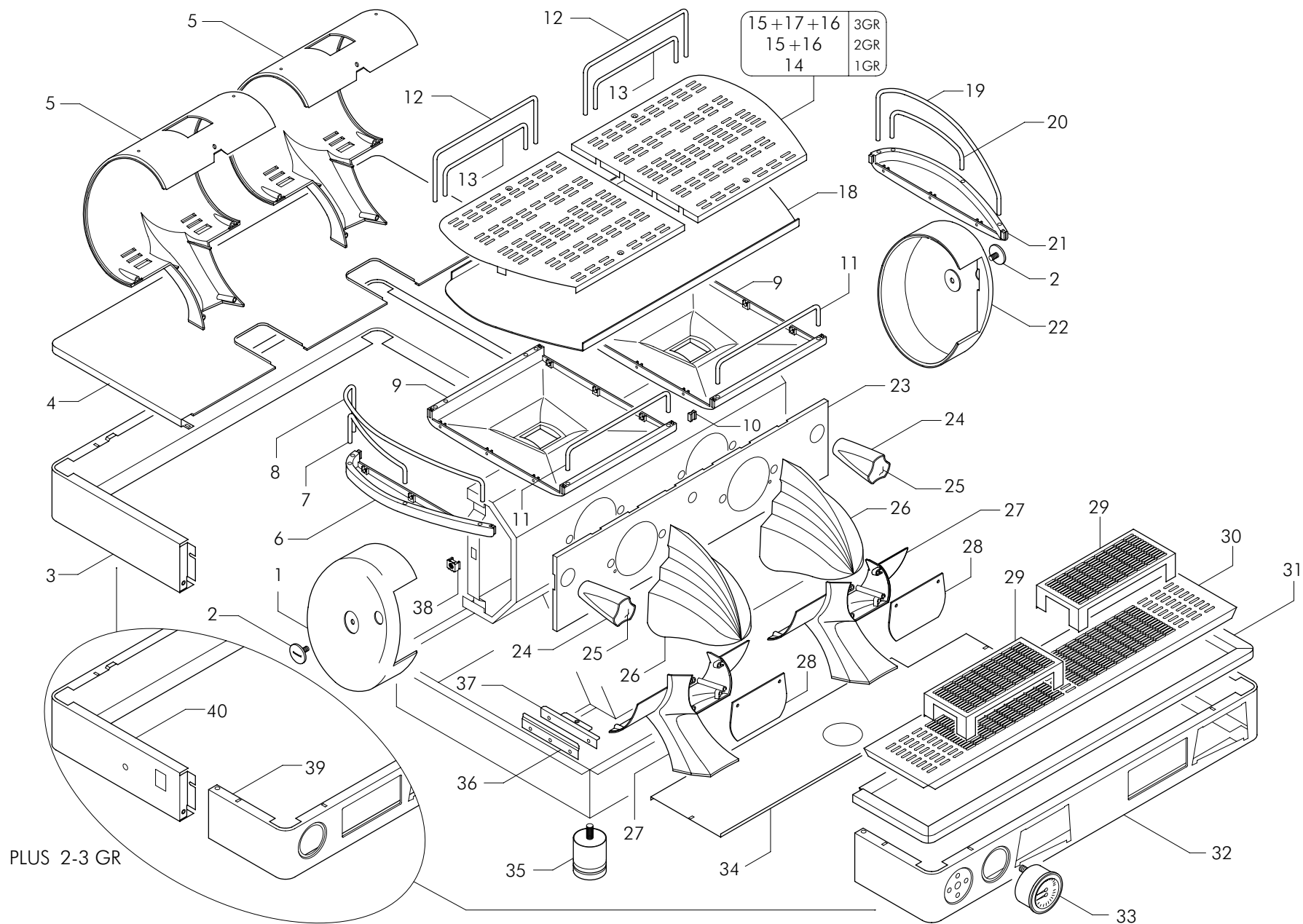
SIBILLA



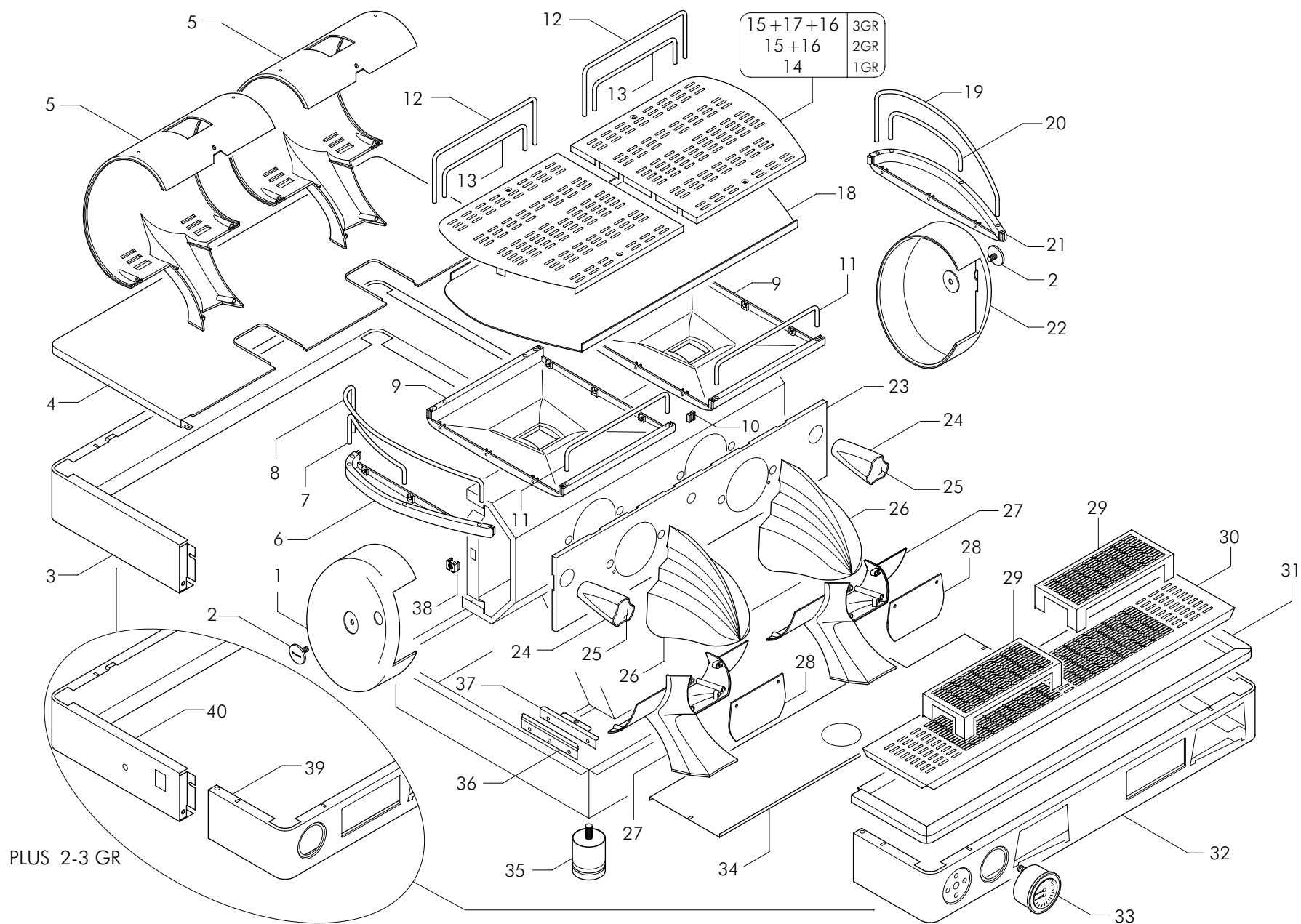
Pos	Cod.	Denominazione - IT -	Denomination - GB -	Denomination - FR -	Denomination - DE -
1	73130183	FIANCO SINISTRO RED3020+BRILL	LEFT RED SIDE PANEL	COTE GAUCHE ROUGE	LINKS SEITE ROT
2	23703001	VITE FISSAGGIO FIANCO D32 M8 NERO	SIDE PANEL FIX.SCREW D32 M8 BLACK	VIS FIX.PANNEAU LATERAL D32 M8 NOIR	SCHRAUBE D32 M8 SCHWARZ
3	77454512	PROFILO BASAM.POST.3GR NERO9005+BRILL	BACK BASE STRIP BLACK 3GR	PROFIL BASE POST.NOIR 3GR	PROFIL BASE HINTEN SCHWARZ 3GR
3	77454532	PROFILO BASAM.POST.1GR NERO9005+BRILL	BACK BASE STRIP BLACK 1GR	PROFIL BASE POST.NOIR 1GR	PROFIL BASE HINTEN SCHWARZ 1GR
3	77454552	PROFILO BASAM.POST.2GR NERO9005+BRILL	BACK BASE STRIP BLACK 2GR	PROFIL BASE POST.NOIR 2GR	PROFIL BASE HINTEN SCHWARZ 2GR
4	75269951	PANNELLO POSTERIORE INF.1GR INOX/L	BACK LOWER PANEL S.STEEL 1GR	PANNEAU POST.INF.INOX 1GR	STAHL TAFEL AUFBAU HINTEN UNTEN 1GR
4	75269952	PANNELLO POSTERIORE INF.2GR INOX/L	BACK LOWER PANEL S.STEEL 2GR	PANNEAU POST.INF.INOX 2GR	STAHL TAFEL AUFBAU HINTEN UNTEN 2GR
4	75269953	PANNELLO POSTERIORE INF.3GR INOX/L	BACK LOWER PANEL S.STEEL 3GR	PANNEAU POST.INF.INOX 3GR	STAHL TAFEL AUFBAU HINTEN UNTEN 3GR
5	75269891	CARROZZERIA POSTERIORE RED3020+BRILL	BACK PANEL RED	PANNEAU POST. ROUGE	ROT TAFEL AUFBAU HINTEN
6	75269921	CARROZZ. SINISTRA SUPPORTO TAZZE	RED CUP TRAY	SUPPORT GAUCHE CH.TASSES ROUGE	TASSENSCHUTZ LINKS ROT
7	25812010	FERMO TAZZE INFERIORE SINISTRO	BOTTOM CUP TRAY	ARRET TASSES INF.	OBERSTE TASSENSCHUTZ
8	25812009	FERMO TAZZE SUPERIORE SINISTRO	TOP CUP TRAY	ARRET DE TASSES SUP.	UNTERSTE TASSENSCHUTZ
9	75269911	CARROZZ.CENTRALE SUPPORTO TAZZE	MIDDLE CUP TRAY RED	SUPPORT CENTRAL CH.TASSES ROUGE	TASSENSUPPORT ROT
10	15029011	INSERTO GREZZO PER GIUNZIONE	INSERT	PLAQUETTE	EINSATZ
11	25812011	FERMO TAZZE ANTERIORE	FRONT CUP RAIL	BLOCAGE TASSES ANT.	MITTLERES TASS
12	25812007	FERMO TAZZE SUPERIORE CENTR.	FRONT MID CUP RAIL	BLOCAGE TASSES SUP.	MITTLERES TASS
13	25812008	FERMO TAZZE INFERIORE CENTR.	BOTTOM MID CUP RAIL	BLOCAGE TASSES INF.	MITTLERES TASS
14	76100080	GRIGLIA SUPERIORE 1GR INOX/L	TOP GRATE 1GR S.STEEL	GRILLE SUP.1GR INOX	OBERGITTER 1GR STAHL
15	76100081	GRIGLIA SUPERIORE 2GR DESTRA INOX/L	TOP GRATE RIGHT 2GR S.STEEL	GRILLE SUP.2GR DROIT INOX	OBERGITTER 2GR RECHTE STAHL
16	76100082	GRIGLIA SUPERIORE 2GR SINISTRA INOX/L	TOP GRATE 2GR LEFT S.STEEL	GRILLE SUP.3GR GAUCHE INOX	OBERGITTER 3GR LINKS STAHL
17	76100083	GRIGLIA SUPERIORE 3GR CENTRALE INOX/L	TOP GRATE 3GR S.STEEL	GRILLE SUP.3GR INOX	OBERGITTER 3GR STAHL
18	76072001	BACINELLA SCALDATAZZE 1GR	CUP HEATER GLOSSY 1GR	CUVE CHAUFFE-TASSES 1GR	TASSENWARMER SCHALE 1GR
18	76072002	BACINELLA SCALDATAZZE 2GR	CUP HEATER GLOSSY 2GR	CUVE CHAUFFE-TASSES 2GR	TASSENWARMER SCHALE 2GR
18	76072003	BACINELLA SCALDATAZZE 3GR	CUP HEATER GLOSSY 3GR	CUVE CHAUFFE-TASSES 3GR	TASSENWARMER SCHALE 3GR
19	25812005	FERMO TAZZE SUPERIORE DESTRO	TOP RIGHT CUP RAIL	BLOCAGE TASSES SUP.	RECHTE OBRFRSTE TASSENSCHUTZ
20	25812006	FERMO TAZZE INFERIORE DESTRO	BOTTOM RIGHT CUP RAIL	BLOCAGE TASSES INF.	RECHTE OBRFRSTE TASSENSCHUTZ
21	75269901	CARROZZ.DESTRA SUPPORTO TAZZE	RIGHT BODY CUP TRAY RED	SUPORT CHAUFFE-TASSES ROUGE	TASSENSCHUTZ RECHTE ROT
22	73130182	FIANCO DESTRO RED3020+BRILL	RIGHT RED SIDE PANEL	COTE DROIT ROUGE	RECHTE SEITE ROT
23	70841001	FRONTONE 1GR INOX/L	FRONT PANEL 1GR S.STEEL	PANNEAU FRONTAL 1GR INOX	STIRNTAFEL 1GR STAHL
23	70841002	FRONTONE 2GR INOX/L	FRONT PANEL 2GR S.STEEL	PANNEAU FRONTAL 2GR INOX	STIRNTAFEL 2GR STAHL
23	70841003	FRONTONE 3GR INOX/L	FRONT PANEL 3GR S.STEEL	PANNEAU FRONTAL 3GR INOX	STIRNTAFEL 3GR STAHL
24	15029050	MANOPOLA	KNOB	POIGNEE	HANDGRIFF
25	15029051	TAPPO MANOPOLA	CAP KNOB	BOUCHON POIGNEE	DECKEL HANDGRIFF
26	75269931	CARROZZERIA COPRIGRUPPO RED3020+BRILL	GROUP-COVER RED	COUVRE-GROUPE ROUGE	GRUPPENDECKEL ROT
27	75269871	CARROZZERIA ANTERIORE RED3020+BRILL	FRONT PANEL RED	PANNEAU ANT. ROUGE	TAFEL ROT
28	77604052	COPRIELETTRIVALVOLA INOX/L	SOL.VALVE COVER S.STEEL	PROTECTION ELECTROVANNE INOX	SCHUTZ MAGNETVENTIL



Pos	Cod.	Denominazione - IT -	Denomination - GB -	Denomination - FR -	Denomination - DE -
29	76149039	GRIGLIA RIALZO TAZZE	SUPPORT GRILL	REHAUSSE GRILLE PORTE-TASSES	TASSENGITTER ERHOHT
30	76628001	GRIGLIA INFERIORE 1GR INOX/LUC	LOWER GRILL 1GR S.STEEL	GRILLE INF. 1GR INOX	STAHL-UNTERGITTER 1GR
30	76628002	GRIGLIA INFERIORE 2GR INOX/LUC	LOWER GRILL 2GR S.STEEL	GRILLE INF. 2GR INOX	STAHL-UNTERGITTER 2GR
30	76628003	GRIGLIA INFERIORE 3GR INOX/LUC	LOWER GRILL 3GR S.STEEL	GRILLE INF. 3GR INOX	STAHL-UNTERGITTER 3GR
31	76098116	BACINELLA 1GR INOX/LUC	GLOSSY S.STEEL TRAY 1GR	CUVE 1GR INOX	STAHLSCHALE 1GR
31	76098117	BACINELLA 2GR INOX/LUC	GLOSSY S.STEEL TRAY 2GR	CUVE 2GR INOX	STAHLSCHALE 2GR
31	76098118	BACINELLA 3GR INOX/LUC	GLOSSY S.STEEL TRAY 3GR	CUVE 3GR INOX	STAHLSCHALE 3GR
32	77454522	PROFILO BASAMENTO ANT.3GR	FRONT BASE SURROUND 3GR BLACK	PROFILS BASE ANT. 3GR NOIR	STIRN-GRUNDPROFIL 3GR SCHWARZ
32	77454542	PROFILO BASAMENTO ANT.1GR	FRONT BASE SURROUND 1GR BLACK	PROFILS BASE ANT. 1GR NOIR	STIRN-GRUNDPROFIL 1GR SCHWARZ
32	77454562	PROFILO BASAMENTO ANT.2GR	FRONT BASE SURROUND 2GR BLACK	PROFILS BASE ANT. 2GR NOIR	STIRN-GRUNDPROFIL 2GR SCHWARZ
33	21112	MANOMETRO TONDO D.SCALA	PRESSURE GAUGE	MANOMETRE	MANOMETER
34	77692216	PROTEZIONE PULSANTIERE 1GR	PUSH BUTTON PANEL GUARD 1 GR	PROTECTION CLAVIERS 1GR	SCHUTZ BEDIENBLLENDE 1GR
34	77692217	PROTEZIONE PULSANTIERE 2GR	PUSH BUTTON PANEL GUARD 2 GR	PROTECTION CLAVIERS 2GR	SCHUTZ BEDIENBLLENDE 2GR
34	77692218	PROTEZIONE PULSANTIERE 3GR	PUSH BUTTON PANEL GUARD 1 GR	PROTECTION CLAVIERS 3GR	SCHUTZ BEDIENBLLENDE 3GR
35	15318	PIEDINO REGOLABILE INOX/SAT H55/69	ADJUSTABLE FOOT H55/69	PIED REGLABLE H55/69	REGELBARER FUSS H55/69
36	77742013	DISTANZIALE GUIDA BACINELLA	SPACER GLOSSY	ENTRETOISE CUVE	DISTANZSTUECK
37	77742012	GUIDA DESTRA-SINISTRA BACINELLA	RH-LH BASIL GUIDE FOR FRAMES	GUIDE DX-SX CUVE X CHASSIS	FUHRUNG RECHTS-LINKS SCHALE
38	23060	DADO IN GABBIA M8 SP 1.6/3MM FE/ZN	CAGE NUT M8 SP 1.6/3MM	ECROU EN CAGE M8 SP 1.6/3MM	SCHRAUBENMUTTER M8 SP 1.6/3MM
39	77454523	PROFILO BASAMENTO ANT.3GR PLUS	FRONT BASE SURROUND 3GR BLACK PLUS	PROFILS BASE ANT. 3GR NOIR PLUS	STIRN-GRUNDPROFIL 3GR SCHWARZ PLUS
39	77454563	PROFILO BASAMENTO ANT.2GR PLUS	FRONT BASE SURROUND 2GR BLACK PLUS	PROFILS BASE ANT. 2GR NOIR PLUS	STIRN-GRUNDPROFIL 2GR SCHWARZ PLUS
40	77454513	PROFILO BASAM.POST.3GR PLUS	BACK BASE STRIP BLACK 3GR PLUS	PROFIL BASE POST.NOIR 3GR PLUS	PROFIL BASE HINTEN SCHWARZ 3GR PLUS
40	77454553	PROFILO BASAM.POST.2GR PLUS	BACK BASE STRIP BLACK 2GR PLUS	PROFIL BASE POST.NOIR 2GR PLUS	PROFIL BASE HINTEN SCHWARZ 2GR PLUS



Pos	Cod.	Denominazione - IT -	Denomination - GB -	Denomination - FR -	Denomination - DE -
1	73130185	FIANCO SINISTRO NERO9005+BRILL	LEFT BLACK SIDE PANEL	COTE GAUCHE NOIR	LINKS SCHWARZ SEITE
2	23703001	VITE FISSAGGIO FIANCO D32 M8 NERO	SIDE PANEL FIX.SCREW D32 M8 BLACK	VIS FIX.PANNEAU LATERAL D32 M8 NOIR	SCHRAUBE D32 M8 SCHWARZ
3	77454512	PROFILO BASAM.POST.3GR NERO9005+BRILL	BACK BASE STRIP BLACK 3GR	PROFIL BASE POST.NOIR 3GR	PROFIL BASE HINTEN SCHWARZ 3GR
3	77454532	PROFILO BASAM.POST.1GR NERO9005+BRILL	BACK BASE STRIP BLACK 1GR	PROFIL BASE POST.NOIR 1GR	PROFIL BASE HINTEN SCHWARZ 1GR
3	77454552	PROFILO BASAM.POST.2GR NERO9005+BRILL	BACK BASE STRIP BLACK 2GR	PROFIL BASE POST.NOIR 2GR	PROFIL BASE HINTEN SCHWARZ 2GR
4	75269951	PANNELLO POSTERIORE INF.1GR INOX/L	BACK LOWER PANEL S.STEEL 1GR	PANNEAU POST.INF.INOX 1GR	STAHL TAFEL AUFBAU HINTEN UNTEN 1GR
4	75269952	PANNELLO POSTERIORE INF.2GR INOX/L	BACK LOWER PANEL S.STEEL 2GR	PANNEAU POST.INF.INOX 2GR	STAHL TAFEL AUFBAU HINTEN UNTEN 2GR
4	75269953	PANNELLO POSTERIORE INF.3GR INOX/L	BACK LOWER PANEL S.STEEL 3GR	PANNEAU POST.INF.INOX 3GR	STAHL TAFEL AUFBAU HINTEN UNTEN 3GR
5	75269892	CARROZZERIA POSTERIORE NERO9005+BRILL	BACK PANEL BLACK	PANNEAU POST. NOIR	SCHWARZ TAFEL AUFBAU HINTEN
6	75269922	CARROZZ. SINISTRA SUPPORTO TAZZE	BLACK CUP TRAY	SUPPORT GAUCHE CH.TASSES NOIR	TASSENSCHUTZ LINKS SCHWARZ
7	25812010	FERMO TAZZE INFERIORE SINISTRO	BOTTOM CUP TRAY	ARRET TASSES INF.	OBERSTE TASSENSCHUTZ
8	25812009	FERMO TAZZE SUPERIORE SINISTRO	TOP CUP TRAY	ARRET DE TASSES SUP.	UNTERSTE TASSENSCHUTZ
9	75269912	CARROZZ.CENTRALE SUPPORTO TAZZE	MIDDLE CUP TRAY BLACK	SUPPORT CENTRAL CH.TASSES NOIR	TASSENSUPPORT SCHWARZ
10	15029011	INSERTO GREZZO PER GIUNZIONE	INSERT	PLAQUETTE	EINSATZ
11	25812011	FERMO TAZZE ANTERIORE	FRONT CUP RAIL	BLOCAGE TASSES ANT.	MITTLERES TASS
12	25812007	FERMO TAZZE SUPERIORE CENTR.	FRONT MID CUP RAIL	BLOCAGE TASSES SUP.	MITTLERES TASS
13	25812008	FERMO TAZZE INFERIORE CENTR.	BOTTOM MID CUP RAIL	BLOCAGE TASSES INF.	MITTLERES TASS
14	76100080	GRIGLIA SUPERIORE 1GR INOX/L	TOP GRATE 1GR S.STEEL	GRILLE SUP.1GR INOX	OBERGITTER 1GR STAHL
15	76100081	GRIGLIA SUPERIORE 2GR DESTRA INOX/L	TOP GRATE RIGHT 2GR S.STEEL	GRILLE SUP.2GR DROIT INOX	OBERGITTER 2GR RECHTE STAHL
16	76100082	GRIGLIA SUPERIORE 2GR SINISTRA INOX/L	TOP GRATE 2GR LEFT S.STEEL	GRILLE SUP.3GR GAUCHE INOX	OBERGITTER 3GR LINKS STAHL
17	76100083	GRIGLIA SUPERIORE 3GR CENTRALE INOX/L	TOP GRATE 3GR S.STEEL	GRILLE SUP.3GR INOX	OBERGITTER 3GR STAHL
18	76072001	BACINELLA SCALDATAZZE 1GR	CUP HEATER GLOSSY 1GR	CUVE CHAUFFE-TASSES 1GR	TASSENWARMER SCHALE 1GR
18	76072002	BACINELLA SCALDATAZZE 2GR	CUP HEATER GLOSSY 2GR	CUVE CHAUFFE-TASSES 2GR	TASSENWARMER SCHALE 2GR
18	76072003	BACINELLA SCALDATAZZE 3GR	CUP HEATER GLOSSY 3GR	CUVE CHAUFFE-TASSES 3GR	TASSENWARMER SCHALE 3GR
19	25812005	FERMO TAZZE SUPERIORE DESTRO	TOP RIGHT CUP RAIL	BLOCAGE TASSES SUP.	RECHTE OBFERSTE TASSENSCHUTZ
20	25812006	FERMO TAZZE INFERIORE DESTRO	BOTTOM RIGHT CUP RAIL	BLOCAGE TASSES INF.	RECHTE OBFERSTE TASSENSCHUTZ
21	75269902	CARROZZ.DESTRA SUPPORTO TAZZE	RIGHT BODY CUP TRAY BLACK	SUPPORT CHAUFFE-TASSES NOIR	TASSENSCHUTZ RECHTE SCHWARZ
22	73130184	FIANCO DESTRO NERO9005+BRILL	RIGHT BLACK SIDE PANEL	COTE DROIT NOIR	RECHTE SEITE SCHWARZ
23	70841001	FRONTONE 1GR INOX/L	FRONT PANEL 1GR S.STEEL	PANNEAU FRONTAL 1GR INOX	STIRNTAFEL 1GR STAHL
23	70841002	FRONTONE 2GR INOX/L	FRONT PANEL 2GR S.STEEL	PANNEAU FRONTAL 2GR INOX	STIRNTAFEL 2GR STAHL
23	70841003	FRONTONE 3GR INOX/L	FRONT PANEL 3GR S.STEEL	PANNEAU FRONTAL 3GR INOX	STIRNTAFEL 3GR STAHL
24	15029050	MANOPOLA	KNOB	POIGNEE	HANDGRIFF
25	15029051	TAPPO MANOPOLA	CAP KNOB	BOUCHON POIGNEE	DECKEL HANDGRIFF
26	75269932	CARROZZERIA COPRIGRUPPO NERO9005+BRILL	GROUP-COVER BLACK	COUVRE-GROUPE NOIR	GRUPPENDECKEL SCHWARZ
27	75269872	CARROZZERIA ANTERIORE NERO9005+BRILL	FRONT PANEL BLACK	PANNEAU ANT. NOIR	TAFEL SCHWARZ
28	77604052	COPRIELETTRIVALVOLA INOX/L	SOL.VALVE COVER S.STEEL	PROTECTION ELECTROVANNE INOX	SCHUTZ MAGNETVENTIL



Pos	Cod.	Denominazione - IT -	Denomination - GB -	Denomination - FR -	Denomination - DE -
29	76149039	GRIGLIA RIALZO TAZZE	SUPPORT GRILL	REHAUSSE GRILLE PORTE-TASSES	TASSENGITTER ERHOHT
30	76628001	GRIGLIA INFERIORE 1GR INOX/LUC	LOWER GRILL 1GR S.STEEL	GRILLE INF. 1GR INOX	STAHL-UNTERGITTER 1GR
30	76628002	GRIGLIA INFERIORE 2GR INOX/LUC	LOWER GRILL 2GR S.STEEL	GRILLE INF. 2GR INOX	STAHL-UNTERGITTER 2GR
30	76628003	GRIGLIA INFERIORE 3GR INOX/LUC	LOWER GRILL 3GR S.STEEL	GRILLE INF. 3GR INOX	STAHL-UNTERGITTER 3GR
31	76098116	BACINELLA 1GR INOX/LUC	GLOSSY S.STEEL TRAY 1GR	CUVE 1GR INOX	STAHLSCHALE 1GR
31	76098117	BACINELLA 2GR INOX/LUC	GLOSSY S.STEEL TRAY 2GR	CUVE 2GR INOX	STAHLSCHALE 2GR
31	76098118	BACINELLA 3GR INOX/LUC	GLOSSY S.STEEL TRAY 3GR	CUVE 3GR INOX	STAHLSCHALE 3GR
32	77454522	PROFILO BASAMENTO ANT.3GR	FRONT BASE SURROUND 3GR BLACK	PROFILS BASE ANT. 3GR NOIR	STIRN-GRUNDPROFIL 3GR SCHWARZ
32	77454542	PROFILO BASAMENTO ANT.1GR	FRONT BASE SURROUND 1GR BLACK	PROFILS BASE ANT. 1GR NOIR	STIRN-GRUNDPROFIL 1GR SCHWARZ
32	77454562	PROFILO BASAMENTO ANT.2GR	FRONT BASE SURROUND 2GR BLACK	PROFILS BASE ANT. 2GR NOIR	STIRN-GRUNDPROFIL 2GR SCHWARZ
33	21112	MANOMETRO TONDO D.SCALA	PRESSURE GAUGE	MANOMETRE	MANOMETER
34	77692216	PROTEZIONE PULSANTIERE 1GR	PUSH BUTTON PANEL GUARD 1 GR	PROTECTION CLAVIERS 1GR	SCHUTZ BEDIENBLLENDE 1GR
34	77692217	PROTEZIONE PULSANTIERE 2GR	PUSH BUTTON PANEL GUARD 2 GR	PROTECTION CLAVIERS 2GR	SCHUTZ BEDIENBLLENDE 2GR
34	77692218	PROTEZIONE PULSANTIERE 3GR	PUSH BUTTON PANEL GUARD 1 GR	PROTECTION CLAVIERS 3GR	SCHUTZ BEDIENBLLENDE 3GR
35	15318	PIEDINO REGOLABILE INOX/SAT H55/69	ADJUSTABLE FOOT H55/69	PIED REGLABLE H55/69	REGELBARER FUSS H55/69
36	77742013	DISTANZIALE GUIDA BACINELLA	SPACER GLOSSY	ENTRETOISE CUVE	DISTANZSTUCK
37	77742012	GUIDA DESTRA-SINISTRA BACINELLA	RH-LH BASIL GUIDE FOR FRAMES	GUIDE DX-SX CUVE X CHASSIS	FUHRUNG RECHTS-LINKS SCHALE
38	23060	DADO IN GABBIA M8 SP 1.6/3MM FE/ZN	CAGE NUT M8 SP 1.6/3MM	ECROU EN CAGE M8 SP 1.6/3MM	SCHRAUBENMUTTER M8 SP 1.6/3MM
39	77454523	PROFILO BASAMENTO ANT.3GR PLUS	FRONT BASE SURROUND 3GR BLACK PLUS	PROFILS BASE ANT. 3GR NOIR PLUS	STIRN-GRUNDPROFIL 3GR SCHWARZ PLUS
39	77454563	PROFILO BASAMENTO ANT.2GR PLUS	FRONT BASE SURROUND 2GR BLACK PLUS	PROFILS BASE ANT. 2GR NOIR PLUS	STIRN-GRUNDPROFIL 2GR SCHWARZ PLUS
40	77454513	PROFILO BASAM.POST.3GR PLUS	BACK BASE STRIP BLACK 3GR PLUS	PROFIL BASE POST.NOIR 3GR PLUS	PROFIL BASE HINTEN SCHWARZ 3GR PLUS
40	77454553	PROFILO BASAM.POST.2GR PLUS	BACK BASE STRIP BLACK 2GR PLUS	PROFIL BASE POST.NOIR 2GR PLUS	PROFIL BASE HINTEN SCHWARZ 2GR PLUS

PSB

INDICE - INDEX - SOMMAIRE - VERZEICHNIS

rev.

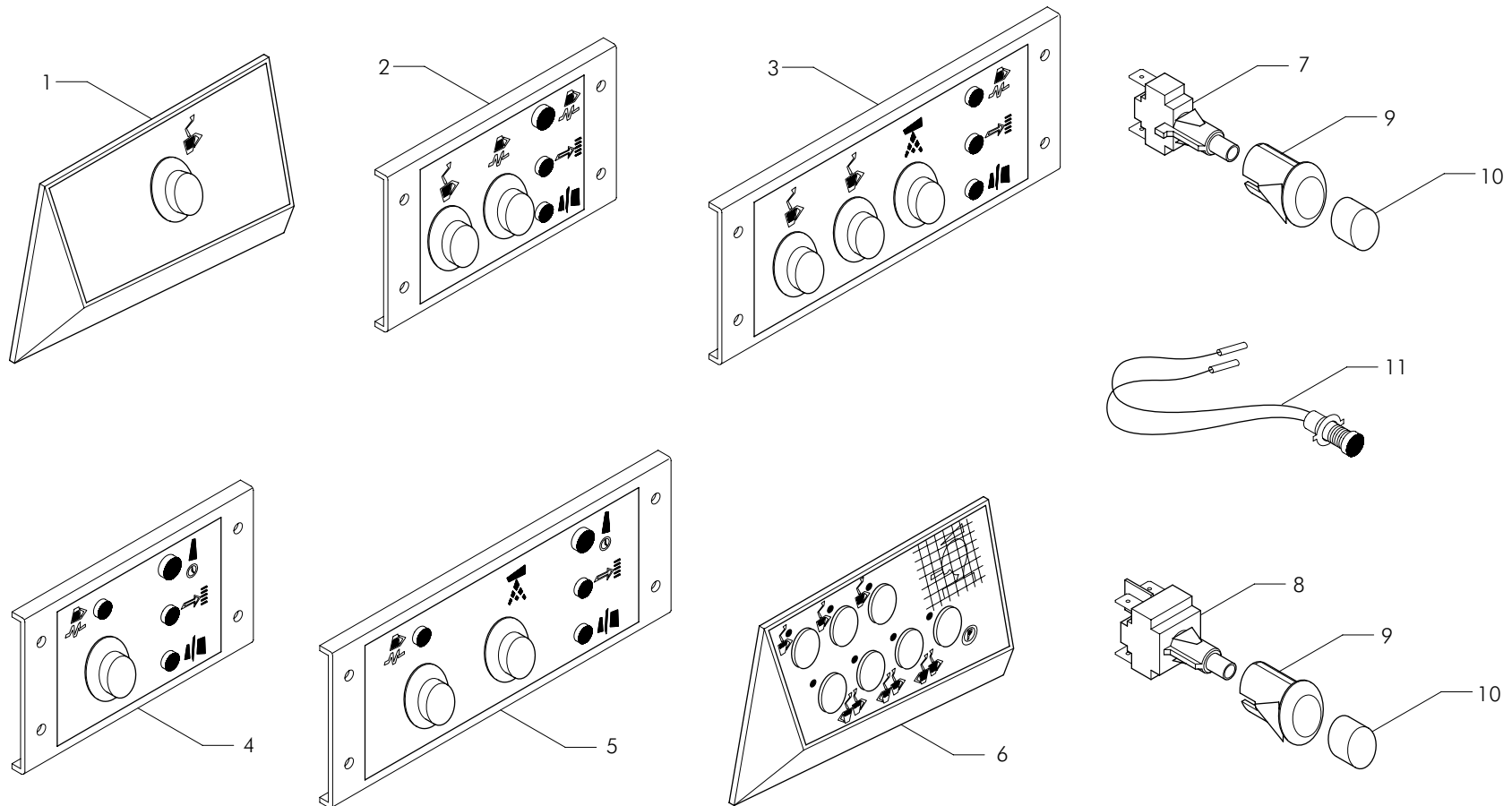
PSB-01

Pulsantiere - Pushbuttons
Claviers - Tastaturen

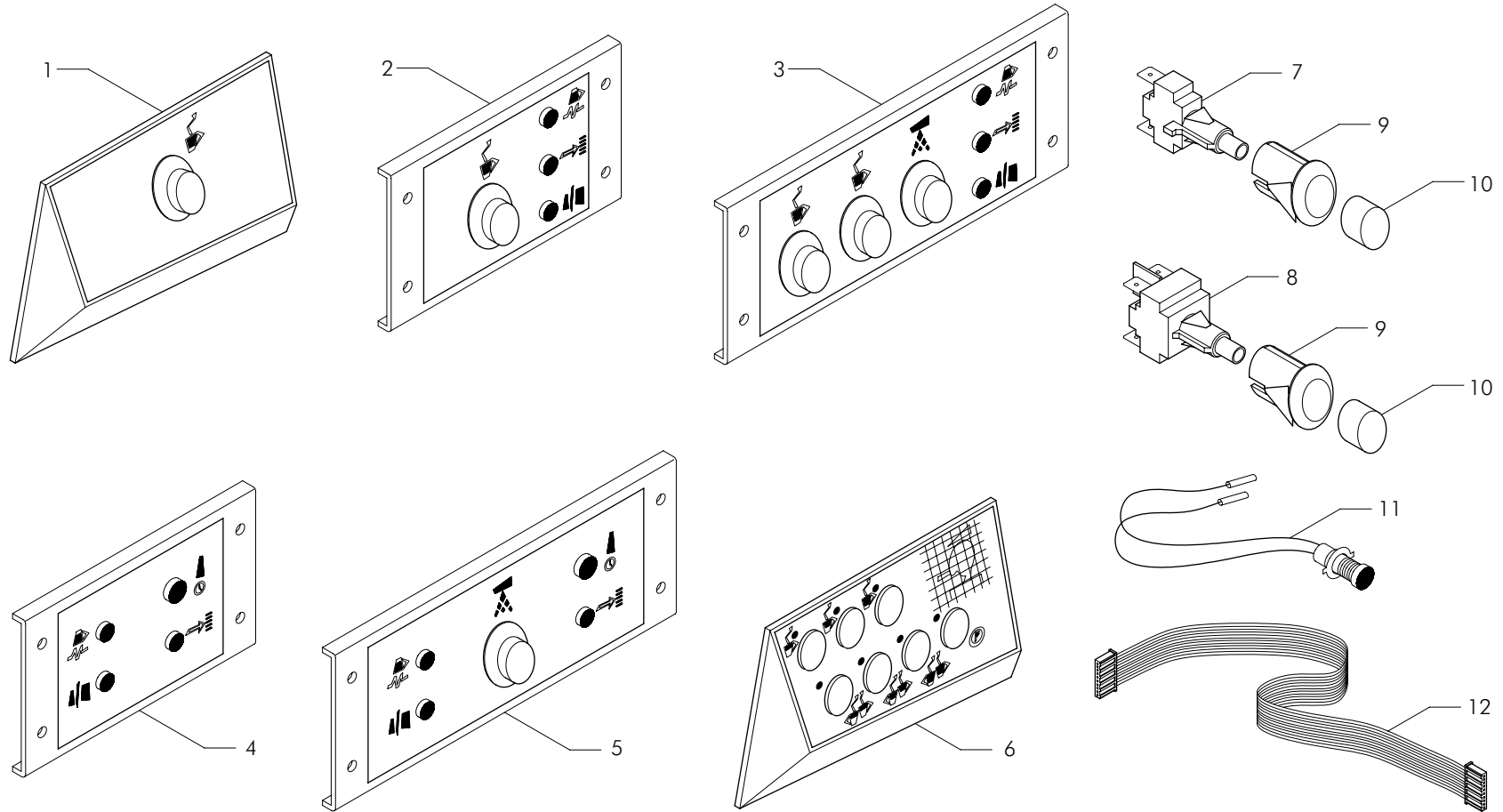
00 **01**
01/2003 09/2007

Pulsantiere
Pushbuttons
Claviers
Tastaturen

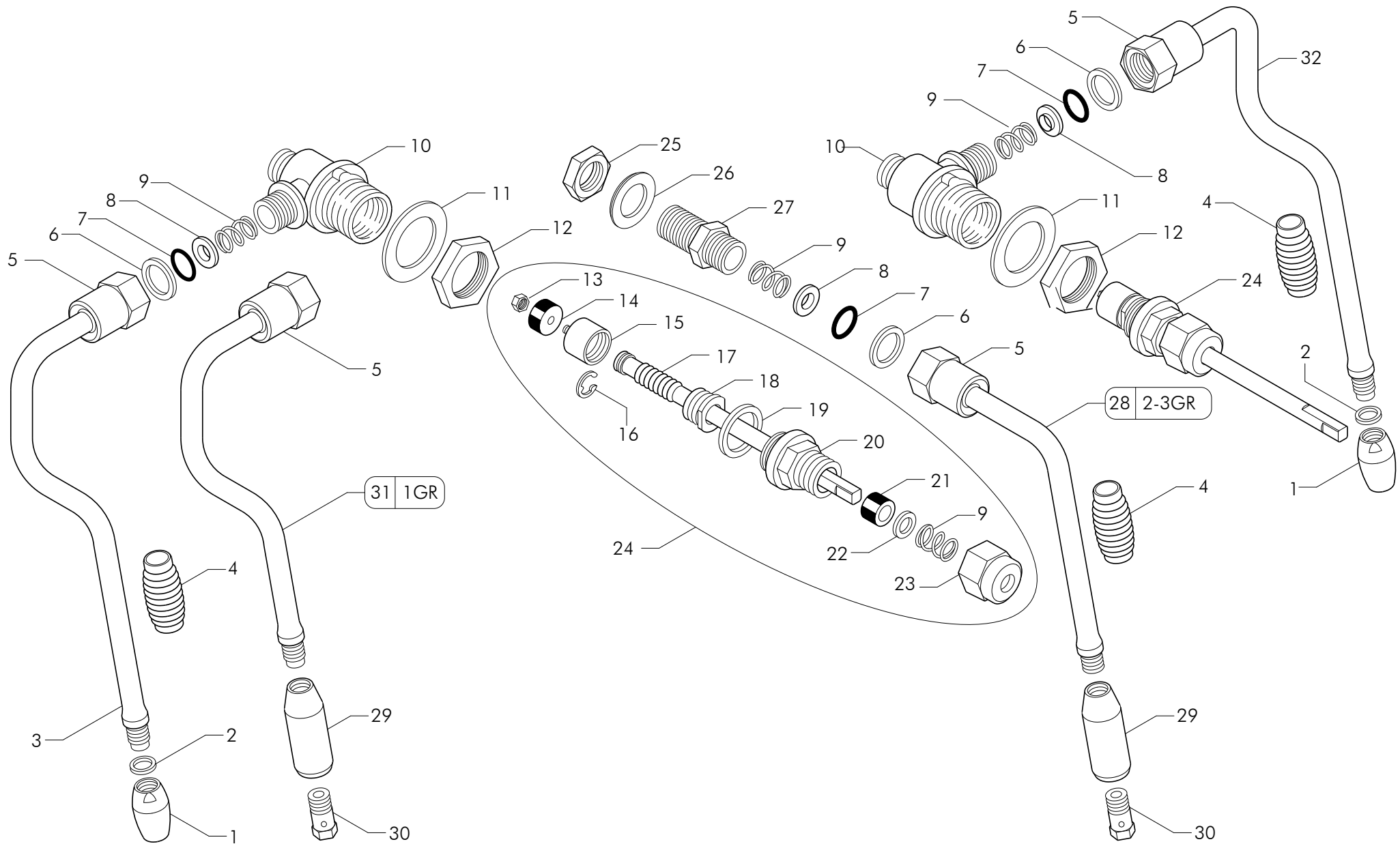
SIBILLA



Pos	Cod.	Denominazione - IT -	Denomination - GB -	Denomination - FR -	Denomination - DE -
1	18371054	PULSANTIERA 1T EROG. MANUALE	PUSH BUTTON 1T MANUAL	CLAVIER 1T MANUEL	BEDIENBL. 1T MANUELL
2	18371051	PULS. 1T SCTE + 1T EROG.	PUSH BUTTON 1T + 1T ELECTRONIC/1	CLAVIER 1T + 1T ELECTRONIQUE/1	BEDIENBL. 1T + 1T ELEKTRONISCHE/1
3	18371053	PULSANTIERA 1T H20 +2T EROG. ELETT/2	PUSH BUTTON 1 H20 + 2 BREW. ELECTR/2	CLAVIER 1T H20 + 2T ELECTR/2	BEDIENBL. 1T H20 + 2T ELEKTR/2
4	18371050	PULS. 1T SCTE MANUALE/1	PUSH BUTTON 1T MANUAL	CLAVIER 1T MANUEL	BEDIENBL. 1T MANUELL
5	18371052	PULS. 1T H20 MANUALE/2	PUSH BUTTON 1T MANUAL/2	CLAVIER 1T MANUEL/2	BEDIENBL. 1T MANUELL/2
6	18371055	PULSANTIERA 6T+1	PUSH BUTTON 6T+1	CLAVIER 6T+1	BEDIENBL. 6T+1
7	18371058	PULSANTE UNIPOLARE	SINGLE POLE PUSHBUTTON	BOUTON-POUSSOIR UNIPOLAIRE	EINPOLIGER TASTER
8	18371057	INTERRUTTORE BIPOLARE	TWO POLE SWITCH	INTERRUPTEUR BIPOLAIRE	ZWEIPOLIGER SCHALTER
9	15373058	SUPPORTO TASTO CROMATO	KEY SUPPORT CHROMED	SUPPORT TOUCHE CHROMEE	TASTEHALTER CHROM
10	15373057	TASTO PULSANTIERE CROMATO	CHROMED KEY	TOUCHE CHROMEE	CHROM TASTE
11	22625	CAVO 1/2GR RL30/TIMEOUT CON LED	1/2 CABLE TIMEOUT UNIT WITH LED	CABLE 1/2 GR. RL30/TIMEOUT LED	KABEL 1/2GR. RL30/TIMEOUT MIT LED



Pos	Cod.	Denominazione - IT -	Denomination - GB -	Denomination - FR -	Denomination - DE -
1	18371054	PULSANTIERA 1T EROG. MANUALE	PUSH BUTTON 1T MANUAL	CLAVIER 1T MANUEL	BEDIENBL. 1T MANUELL
2	18371059	PULSANTIERA 1T EROG. ELETTRONICA/1	PUSH BUTTON 1T ELECTRONIC/1	CLAVIER 1T ELECTRONIQUE/1	BEDIENBL. 1T ELEKTRONISCHE/1
3	18371053	PULSANTIERA 1T H2O +2T EROG. ELETT/2	PUSH BUTTON 1 H2O + 2 BREW. ELECTR/2	CLAVIER 1T H2O + 2T ELECTR/2	BEDIENBL. 1T H2O + 2T ELEKTR/2
4	18371061	PULSANTIERA 4LED MANUALE/1	PUSH BUTTON 4LED MANUAL/1	CLAVIER 4LED MANUEL/1	BEDIENBL. 4LED MANUELL/1
5	18371062	PULSANTIERA 1T MANUALE 2/3GR	PUSH BUTTON 1T MANUAL 2/3GR	CLAVIER 1T MANUEL 2/3GR	BEDIENBL. 1T MANUELL 2/3GR
6	18371055	PULSANTIERA 6T+1	PUSH BUTTON 6T+1	CLAVIER 6T+1	BEDIENBL. 6T+1
7	18371058	PULSANTE UNIPOLARE	SINGLE POLE PUSHBUTTON	BOUTON-POUSSOIR UNIPOLAIRE	EINPOLIGER TASTER
8	18371057	INTERRUTTORE BIPOLARE	TWO POLE SWITCH	INTERRUPTEUR BIPOLAIRE	ZWEIPOLIGER SCHALTER
9	15373058	SUPPORTO TASTO CROMATO	KEY SUPPORT CHROMED	SUPPORT TOUCHE CHROMEE	TASTEHALTER CHROM
10	15373057	TASTO PULSANTIERE CROMATO	CHROMED KEY	TOUCHE CHROMEE	CHROM TASTE
11	21023	LAMPADA SPIA ROSSA SIG.24217000A1 230V	RED PILOT LIGHT SIG.24217000A1 230V	LAMPE TEMOIN ROUGE SIG.24217000A1 230V	ROTE KONTROLLEUCHTE SIG.24217000A1 230V
11	21024	LED D5 COLORE ROSSO	RED LED D.5	LED ROUGE D.5	ROTES LED D.5
12	22627	CAVO PULSANTIERA 10 POLI 80CM	80 CM CONNECTOR FOR P.BUTTON PANEL	CABLE CLAVIER 10 POLES 80 CM	KABEL BEDIENBL. 10 POLIG 80CM
12	22628	CAVO PULSANTIERA 10 POLI 140CM	140 CM CABLE FOR P.BUTTON PANEL	CABLE CLAVIER 10 POLES 140 CM	KABEL BEDIENBL. 10 POLIG 140CM



Pos	Cod.	Denominazione - IT -	Denomination - GB -	Denomination - FR -	Denomination - DE -
1	25763003	SPRUZZATORE VAPORE INOX X TUBO D.10	S.STEEL STEAM NOZZLE	ATOMISEUR VAPEUR INOX POUR TUYAU D.10	STAHLDAMPFDUSE INOX X TUBO D.10
2	12662	GUARNIZIONE ALL.SPRUZZATORE VAP.INX	ALUM.SEAL FOR ST.STEEL STEAM	JOINT ALU GICLEUR VAP. INOX D.10	ALUMINIUMDICHT.DAMPFSTR.EDELSTAHL D.10
3	25763014	TUBO VAPORE SINISTRO INOX	LEFT STEEL STEAM PIPE	TUYAU VAPEUR INOX GAUCHE	LINKS STAHL DAMPFROHRSATZ
4	15296001	GOMMINO ANTISCOT.RA X TUBO VAP.D10	ANTI-BURNING RUBBER EL. FOR STEAM PIPE	ELEMENT ANTI-BRULURE POUR TUYAU	GUMMI GEGEN VERBRENNUNGEN F. DAMPFROHR
5	25391	DADO CANNA VAP/H2O X MOLLA CROMATO	NUT PIPE WATER/STEAM FOR SPRING	ECROU TUYAU VAPEUR/EAU POUR RESSORT	WASSER/DAMPF ROHRMUTTER FUR FEDER
6	12010	GUARNIZIONE TEFLON X H2O/VAP 21X17X2	W/S PIPE GASKET TEFLON 21X17X2	JOINT TUYAU TEFLON EAU/VAP TEFLON	TEFLON-DICHTUNG X H2O/VAP 21X17X2 CNN
7	12300	GUARNIZIONE OR 113 NBR/70	O RING GASKET 113 NBR/70	JOINT OR 113 NBR/70	OR-DICHTUNG 113 NBR/70
8	25657	RONDELLA MOLLA VAPORE	STEAM SPRING WASHER	RONDELLE RESSORT VAPEUR	SCHEIBE FÜR DAMPF FEDER
9	10452	MOLLA RUBINETTO H2O/VAPORE N4	WATER/STEAM TAP SPRING N4	RESSORT DE ROBINET EAU-VAPEUR N4	WASSER/DAMPF HAHNFEDER N4
10	4553003	CORPO RUBINETTO	TAP BODY	CORPS DE ROBINET	HAHNKÖRPER
11	25658001	RONDELLA OTTONE RUBINETTO CROMATA	CHROME PLATED/BRASS WASHER	RONDELLE LAITON ROBINET CHROME	CHROM/MESSING SCHEIBE
12	25384001	DADO OTTONE M26X1.5 CROMATO	CHROME PLATED/BRASS NUT M26X1.5	ECROU LAITON CHROME M26X1,5	CHROM/MESSING MUTTER M26X1.5
13	23050	DADO OTTONE M3 UNI 5587	BRASS NUT M3 UNI 5587	ECROU LAITON M3 UNI 5587	MESSING-MUTTER M3 UNI 5587
14	12203	GUARNIZIONE GOMMA 15X4X4	RUBBER GASKET 15X4X4	JOINT EN CAOUTCHOUC 15X4X4	GUMMIDICHTUNG 15X4X4
15	25616	PISTONCINO RUBINETTO	TAP JUMPER	PISTON ROBINET	HAHNKOLBEN
16	10001	ANELLO ARRESTO D6 INOX 316 DIN 6799	STEEL CIRCLIP 316 DIN 6799	CIRCLIP INOX 316 DIN 6799	STAHLHALTENRING 316 DIN 6799
17	25311	ASTA RUBINETTO L109 CROMATA	CHROMED TAP ROD 109L	TIGE ROBINET L109 CHROME	VERCHROMTE HAHNSTANGE L109
18	25461	GHIERA RUBINETTO	TAP RING NUT	EMBOUT ROBINET	HAHNZWINGE
19	12158	GUARNIZIONE CU RUB.26X20.5X2	26X20.5X2 COPPER SEAL	JOINT CUIVRE 3/8 22X17X1.5	KUPFERDICHTUNG 3/8 22X17X1.5
20	25678002	RACCORDO RUBINETTO CROMATO	CHROME TAP FITTING	RACCORD ROBINET CHROME	HAHNANSCHLUSSTUCK CHROM
21	12204	GUARNIZIONE GOMMA RUBINETTO H2O/VAP	W/S TAP RUBBER GASKET 12.5X7.5X9	JOINT CAOUTCHOUC ROB. EAU/VAP	HAHNDICHTUNG W/D 12.5X7.5X9
22	25655	RONDELLA RUBINETTO	TAP WASHER	RONDELLE ROBINET	HAHNSCHEIBE
23	25378	DADO PREMISTOPPA RUBINETTO CROMATO	VALVE SPINDLE SEAL NUT CHROME	ECROU DE PRESSE ETOUPE ROBINET	STOPFBUCHSE MUTTER - HAHN
24	56105005R	ASS.RUB.H2O/VAPORE CROMATO	WATER/STEAM TAP UNIT	ENSEMBLE ROBINET EAU/VAPEUR	WASSER/DAMPF ROHRSATZ
25	25356	CONTRODADO OTTONE 3/8	BRASS LOCK NUT 3/8	CONTRE-ECROU LAITON 3/8	MESSING-GEGENMUTTER 3/8
26	25654	RONDELLA OTTONE 3/8 CROMATA	CHROME PLATED/BRASS WASHER 3/8	RONDELLE LAITON 3/8 CHROME	CHROM/MESSING SCHEIBE 3/8
27	25681	RACCORDO CANNA H2O/VAP E22 CROMATO	STEAM-WATER PIPE CONNECTOR	RACCORD TUYAU EAU/VAPEUR E=22	WASSER/DAMPFROHRFITTING E=22
28	25763015	TUBO ACQUA CENTRALE INOX	STEEL WATER PIPE	TUYAU EAU INOX	STAHL ROHR WASSER
29	30250	SPRUZZATORE ESTERNO H2O OTT CROMATO	EXTERNAL SPRAYER H2O CHROMIUM PLATE	PULVERISATEUR EXTERNE H2O LAITON CH	AUSSENSPRITZDÜSE H2O MESSING, VERCH
30	25761	SPRUZZATORE INTERNO H2O	INTERNAL SPRAY H2O	PULVERISATEUR INT. H2O	H2O - INNENSPRITZDÜSE
31	25763016	TUBO ACQUA SINISTRO INOX	STEEL WATER PIPE	TUYAU EAU INOX	STAHL ROHR WASSER
32	25763013	TUBO VAPORE DESTRO INOX	STEEL STEAM PIPE	TUYAU VAPEUR INOX	STAHL ROHR DAMPFHAHN

Gruppo SIBILLA
SIBILLA group
Groupe SIBILLA
SIBILLA Gruppe

GRE-36

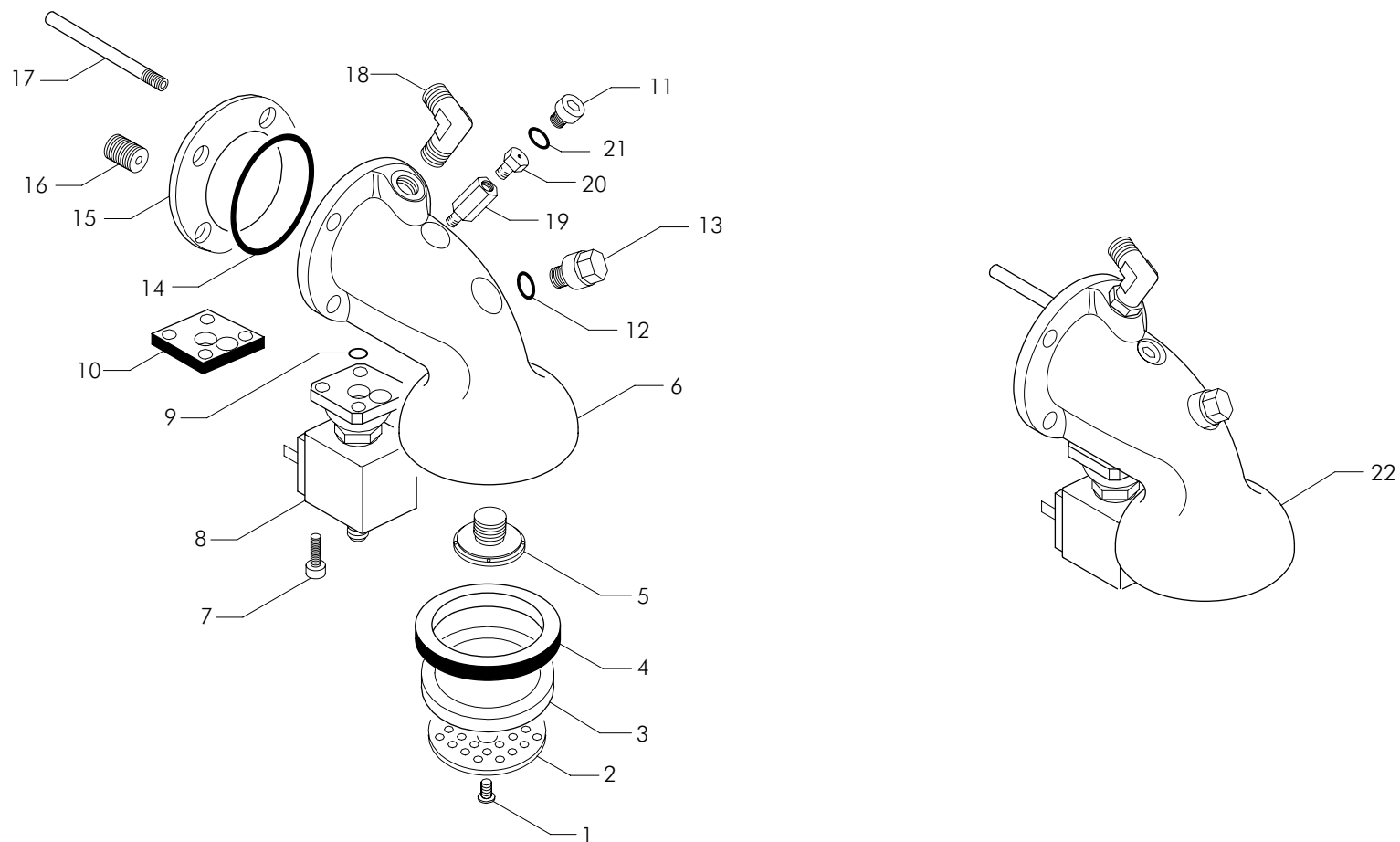
SIBILLA

rev.

00
01/2003

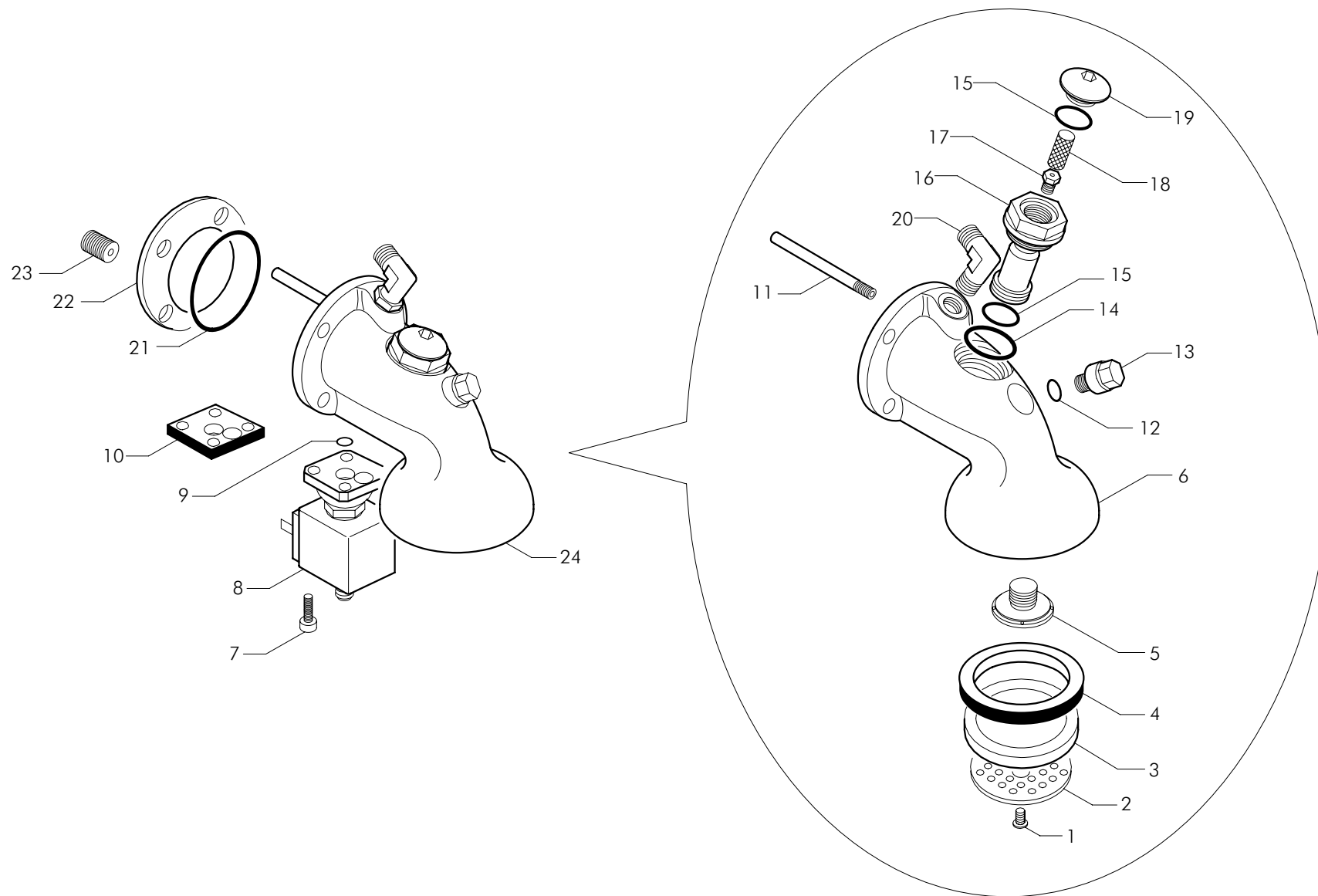
rev.

02
06/2006



Pos	Cod.	Denominazione - IT -	Denomination - GB -	Denomination - FR -	Denomination - DE -
1	23514	VITE TPS INOX 5X20 TAGLIO CACC.	5X20 STAINLESS STEEL FLATHEAD SCREW	VIS TPS INOX 5X20 DE TOURNEVIS	SCHRAUBE TPS ROSTFREI5X20 SCHRAUBEN
2	27100	DOCGETTA GRUPPO ER 51.9	GROUP SHOWER PLATE 51.9	DOUCHETTE GROUPE ER 51.9	DUSCHE VERTEILEREINHEIT 51.9
3	25627	PORTADOCGETTA GRUPPO EROGAZIONE	WATER SPOUT UNIT SUPPORT	PORTE-DOUCHETTE GROUPE DISTRIBUTION	DUSCHTRÄGER VERSORGUNGSEINHEIT
4	12215	GUARNIZ. GOMMA S.COPPA 72X56X8.5 MAGG	LARGER SIZED FILTER SUPPORT RUBBER	JOINT CAOUTCHOUC SOUCOUBE 72X56X8.5	FILTERHALTER-GUMMIDICHTUNG 72X56X8 GROSS
4	12217	GUARNIZ. GOMMA S.COPPA 72X56X8 NORMAL	STANDARD SIZE FILTER SUPPORT RUBBER	JOINT CAOUTCHOUC SOUCOUBE 72X56X8 N	FILTERHALTER-GUMMIDICHTUNG 72X56X8 NORMA
5	25422004	DIFFUSORE GRUPPO ESTR.DV	GROUP DIFFUSER	DIFFUSEUR GROUPE	DIFFUSOR ABGABEGRUPPE
6	25368003	CORPO GRUPPO ER ESTR. DV	DISTRIBUTION GROUP BODY	CORPS GROUPE DEBIT	KORPER DER ABGABEGRUPPE
7	23560	VITE TCEI INOX 4X16	SCREW TCCE S.STEEL 4X16	VIS TCCE INOX 4X16	STAHLSCHEIBE TCCE 4X16
8	18150	ELETTRORVALVOLA GRUPPO 110V 50-60HZ	GROUP SOLENOID VALVE 110/50-60	ELECTROVANNE GROUPE 110/50-60	GRUPPENMAGNETVENTIL 110/50-60
8	18151	ELETTRORVALVOLA GRUPPO 220/240V	GROUP SOLENOID VALVE 220/240 50-60	ELECTROVANNE GROUPE 220/240 50-60	GRUPPENMAGNETVENTIL 220/240 50-60
9	12305	GUARNIZIONE OR 105 GR.ELETT.VITON	O RING SEAL 105 GREEN VITON SOLENOI	JOINT OR 105 GR. ELECT. VITON VERT	O-RINGDICHT. 105 EKELTR. EINHEIT VITON G
10	12013	GUARNIZIONE PTFE LV 2030 ELETTRORVAL.	GASKET FOR SOLENOID VALVE GR PTFE	JOINT POUR ELECTROVANNE GR PTFE	MAGNETVENTILDICHT.GR PTFE LV 2030
11	25789302	TAPPO ISPEZIONE GIGLEUR GRUPPO ESTR.	CAP GROUP JET	BOUCHON GIGLEUR	STOPFEN EINSPRITZDUSE
12	12303	GUARNIZIONE OR 119 VITON TAPPO	CAP O RING GASKET 119	JOINT OR 119 POUR BOUCHON	OR DICHTUNG FUR STOPFEN 119
13	25789301	TAPPO CAMERA PREINFUSIONE GRP ESTR.	CAP GROUP	BOUCHON GROUPE	STOPFEN ABGABEGRUPPE
14	12304	GUARNIZIONE OR 4187 GRUP.ER VITON	DISTRIBUTION GR. O RING GASKET 4187	JOINT OR4187 GR DEBIT MC/482	OR DICHTUNG FUR AUSGABEGRUPPE 4187
15	12002	GUARNIZIONE TEFLON VERGINE X GRUPPO	GROUP TEFLON GASKET 89X40X2	JOINT DE GROUPE TEFLON 89X40X2	TEFLON GRUPPENDICHTUNG 89X40X2
16	25750100	RIDUZIONE 1/4 FORO D.4	REDUCTION 1/4 D-4	REDUCTION 1/4 D-4	REDUKTION 1/4 D-4
17	15451025	TUBO D-8X5 TEFLON L.150 FIL.M8	TUBE D-8X5 TEFLON L.150 FIL.M8	TUYAU D-8X5 TEFLON L.150 M8	ROHR D8X5 TEFLON L.150 M8
18	23203001	RACCORDO OTT.GOM.D6.2+M8 1/4X1/4	ELBOW BRASS CONNECTOR D6.2 1/4X1/4	RACCORD COUDE LAITON D6.2 1/4X1/4	MESSING-ANSCHLUSS D6.2 1/4X1/4
19	25739501	PORTAGIGLER GRUPPO ESTR.	NOZZLE HOLDER GROUP	PORTE-GICLEUR GROUPE	DUSEHALTER GRUPPE
20	10300001	GIGLER OTT. X GRUPPO D 0.7	BRASS GROUP JET D 0.7	GIGLEUR LAITON POUR GROUPE D 0.7	VERMESSINGTE GRUPPENDUSE D 0.7
21	12330	GUARNIZIONE OR 2056 VITON X TUBO	O RING 2056 VITON	JOINT OR 2056 VITON	O-RINGDICHT. 2056 VITON
22	56082010	GRUPPO ESTRAIBILE 120/60	UNIT DISTRIBUTION GROUP 120/60	ENSEMBLE GROUPE 120/60	SATZ-ABGABEGRUPPE 120/60
22	56082011	GRUPPO ESTRAIBILE 230/50	UNIT DISTRIBUTION GROUP 230/50	ENSEMBLE GROUPE 230/50	SATZ-ABGABEGRUPPE 230/50





Pos	Cod.	Denominazione - IT -	Denomination - GB -	Denomination - FR -	Denomination - DE -
1	23514	VITE TPS INOX 5X20 TAGLIO CACC.	5X20 STAINLESS STEEL FLATHEAD SCREW	VIS TPS INOX 5X20 DE TOURNEVIS	SCHRAUBE TPS ROSTFREI5X20 SCHRAUBEN
2	27100	DOCCETTA GRUPPO ER 51.9	GROUP SHOWER PLATE 51.9	DOUCHETTE GROUPE ER 51.9	DUSCHE VERTEILEREINHEIT 51.9
3	25627	PORTADOCSETTA GRUPPO EROGAZIONE	WATER SPOUT UNIT SUPPORT	PORTE-DOUCHETTE GROUPE DISTRIBUTION	DUSCHTRÄGER VERSORGUNGSEINHEIT
4	12215	GUARNIZIONE GOMMA S.COPPA 72X56X8.5 MAGG.	LARGER SIZED FILTER SUPPORT RUBBER	JOINT CAOUTCHOUC SOUCOUCPE 72X56X8.5	FILTERHALTER-GUMMIDICHTUNG 72X56X8 GROSS
4	12217	GUARNIZIONE GOMMA S.COPPA 72X56X8 NORMALE	STANDARD SIZE FILTER SUPPORT RUBBER	JOINT CAOUTCHOUC SOUCOUCPE 72X56X8 N	FILTERHALTER-GUMMIDICHTUNG 72X56X8 NORMA
5	25422008	DIFFUSORE GRUPPO CTS 03	GROUP DIFFUSER	DIFFUSEUR GROUPE	GRUPPE VERTEILER
6	25368003	CORPO GRUPPO ER ESTR. DV	DISTRIBUTION GROUP BODY	CORPS GROUPE DEBIT	KORPER DER ABGABEGRUPPE
7	23560	VITE TCEI INOX 4X16	SCREW TCCE S.STEEL 4X16	VIS TCCE INOX 4X16	STAHLSCHRAUBE TCCE 4X16
8	18150	ELETTRIVALVOLA GRUPPO 110V 50-60HZ	GROUP SOLENOID VALVE 110/50-60	ELECTROVANNE GROUPE 110/50-60	GRUPPENMAGNETVENTIL 110/50-60
8	18151	ELETTRIVALVOLA GRUPPO 220/240V 50-60HZ	GROUP SOLENOID VALVE 220/240 50-60	ELECTROVANNE GROUPE 220/240 50-60	GRUPPENMAGNETVENTIL 220/240 50-60
9	12305	GUARNIZIONE OR 105 GR.ELETT.HNBR 70SH	O RING SEAL 105 GREEN SOLENOI	JOINT OR 105 GR. ELECT.	O-RINGDICHT. 105 EKELTR. EINHEIT
10	12013	GUARNIZIONE PTFE LV 2030 ELETTRIVALVOLA	GASKET FOR SOLENOID VALVE GR PTFE	JOINT POUR ELECTROVANNE GR PTFE	MAGNETVENTILDICHT.GR PTFE LV 2030
11	15451025	TUBO D-8X5 TEFLON L.150 FIL.M8 PESCANTE	TUBE D-8X5 TEFLON L.150 FIL.M8	TUYAU D-8X5 TEFLON L.150 M8	ROHR D8X5 TEFLON L.150 M8
12	12303	GUARNIZIONE OR 119 HNBR TAPPO GRUPPO / V	CAP O RING GASKET 119	JOINT OR 119 POUR BOUCHON	OR DICHTUNG FUR STOPFEN 119
13	25789301	TAPPO CAMERA PREINFUSIONE GRP ESTR.DV	CAP GROUP	BOUCHON GROUPE	STOPFEN ABGABEGRUPPE
14	12300027	GUARNIZIONE OR 0134 EPDM PA 25,8X3,53	O RING GASKET 0134 25.8X3.53	JOINT OR 0134 25.8X3.53	OR DICHTUNG 0134 25.8X3.53
15	12300026	GUARNIZIONE OR 0123 EPDM PA 17,86X2,62	O RING GASKET 0123 PA 17.86X2.62	JOINT OR 0123 PA 17.86X2.62	OR DICHTUNG 0123 PA 17.86X2.62
16	25739502	PORTAGIGLER GRUPPO CTS 03	NOZZLE HOLDER GROUP CTS 03	PORTE-GICLEUR GROUPE CTS 03	DUSEHALTER GRUPPE CTS 03
17	10300001	GIGLER OTT. X GRUPPO D 0.7	BRASS GROUP JET D 0.7	GIGLEUR LAITON POUR GROUPE D 0.7	VERMESSINGTE GRUPPENDUSE D 0.7
18	10253	FILTRO GIGLER GRUPPO W527	JET FILTER	FILTRE GICLEUR	DUSE FILTER
19	25789302	TAPPO ISPEZIONE GIGLEUR GRUPPO ESTR.DV	CAP GROUP JET	BOUCHON GIGLEUR	STOPFEN EINSPRITZDUSE
20	23203001	RACCORDO OTT.GOM.D6.2+M8 1/4X1/4 CON GRU	ELBOW BRASS CONNECTOR D6.2 1/4X1/4	RACCORD COUDE LAITON D6.2 1/4X1/4	MESSING-ANSCHLUSS D6.2 1/4X1/4
21	12304	GUARNIZIONE OR 4187 GRUP.ER HNBR NERO 70	DISTRIBUTION GR. O RING GASKET 4187	JOINT OR4187 GR DEBIT MC/482	OR DICHTUNG FUR AUSGABEGRUPPE 4187
22	12002	GUARNIZIONE TEFLON VERGINE X GRUPPO 89x40x2	GROUP TEFLON GASKET 89X40X2	JOINT DE GROUPE TEFLON 89X40X2	TEFLON GRUPPENDICHTUNG 89X40X2
23	25750100	RIDUZIONE 1/4 FORO D.4	REDUCTION 1/4 D-4	REDUCTION 1/4 D-4	REDUKTION 1/4 D-4
24	56082104	GRUPPO ESTR.SIBILLA NEUTRO	UNIT DISTRIBUTION GROUP	ENSEMBLE GROUPE	SATZ-ABGABEGRUPPE



Caldaia e scambiatore SIBILLA
SIBILLA boiler and exchanger
Chaudière et échangeur SIBILLA
SIBILLA Dampfkessel Austauscher

CLS-36

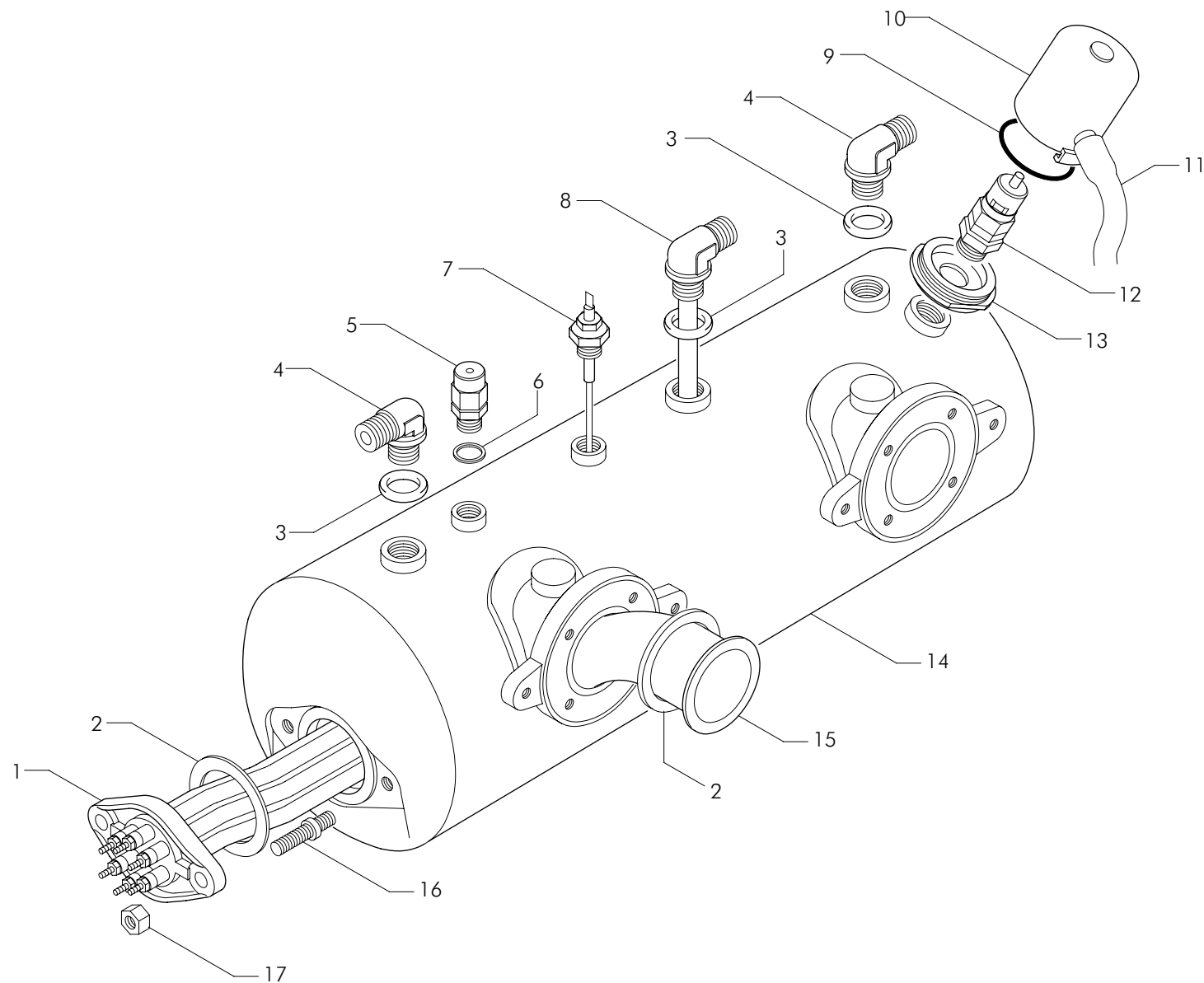
Sibilla

rev.

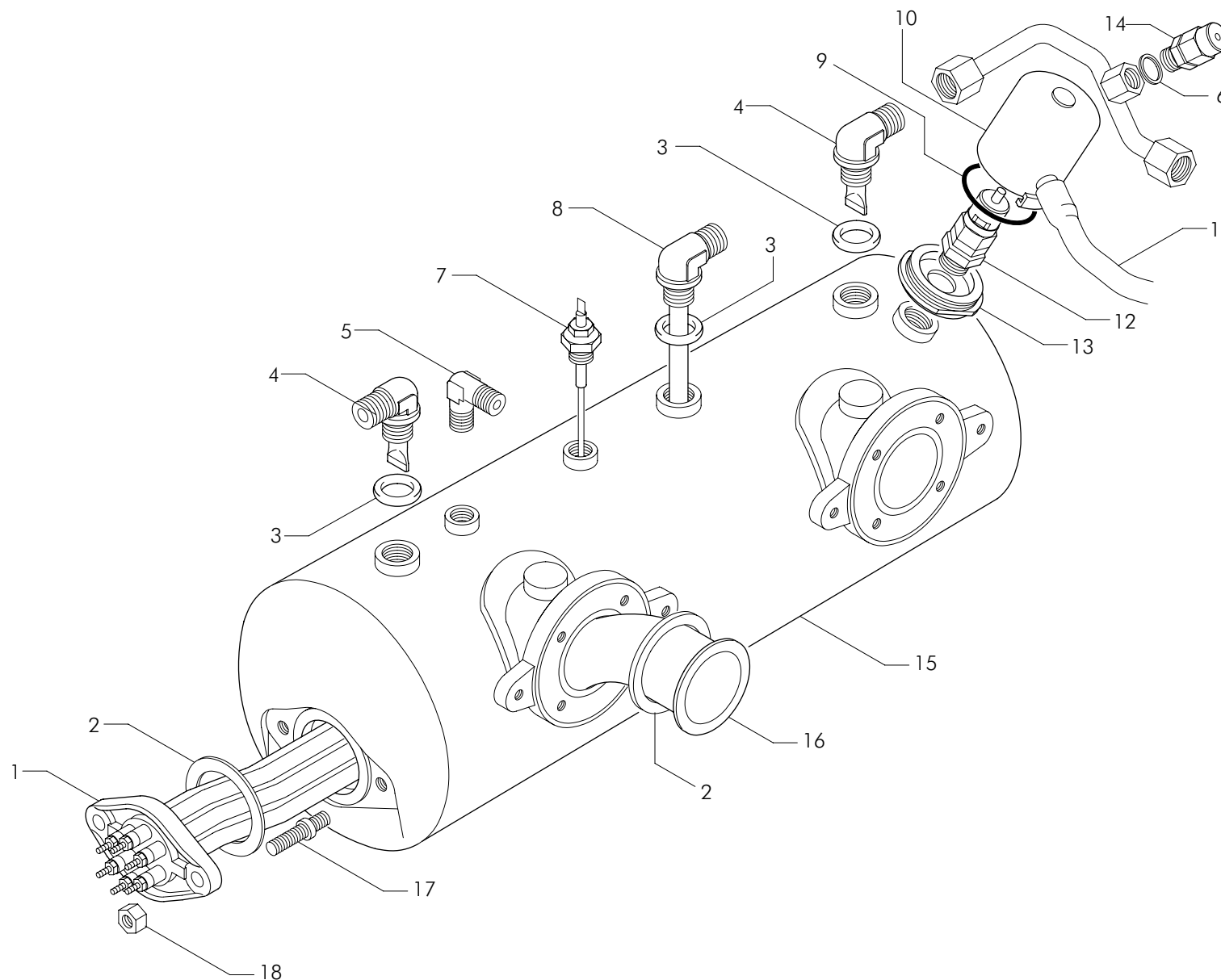
00
01/2003

rev.

01
02/2003



Pos	Cod.	Denominazione - IT -	Denomination - GB -	Denomination - FR -	Denomination - DE -
1	17001	RES.1GR 4P 120V 2000W	HEATING ELEMENT 1GR 110V-2000W	RESISTANCE ELECTRIQUE 1GR 110V2000W	HEIZKORPER 1 GR 110V 2000W
1	17012	RESISTENZA 1GR 6P 230/380V 2700W	HEAT.ELEM.1GR 230/380V 2700W 6POLES	RESISTANCE 1GR 230/380V 2700W/6POLES	HEIZKORPER 1GR 230/380V 2700W 6POLES
1	17050	RES.2GR 4P 120V 2600W	HEATING ELEMENT 2GR 110V-2600W	RESISTANCE ELEC. 2GR 110V-2600W	HEIZKORPER 2GR 110V-2600W
1	17059	RESISTENZA 2GR 6P 230/380V 3400W	HEATING EL.2GR 220/380V-3400W 6POLE	RESISTANCE 2GR 220/380V-3400W 6POLE	HEIZKORPER 2GR 220/380V-3400W 6P
1	17100	RES.3GR 4P 120V 3700W	HEATING ELEMENT 3 GR 110V 3700W	RESISTANCE ELEC. 3GR 110V 3700W	HEIZKORPER 3GR 110V 3700W
1	17107	RESISTENZA 3GR 6P 230/380V 5000W	HEATING EL. 3GR 220/380V 5000W 6P	RESISTANCE 3GR 220/380V 5000W 6P	HEIZKORPER 3GR 220/380V 5000W 6P
2	12001	GUARNIZIONE TEFLON VERGINE X RES/SCA	TEFLON GASKET ELEMENT/EXCH. 58X43X2	JOINT TEFLON RESIST/ECHANG. 58X43X2	TEFLON DICHTUNG 58X23X2
3	12101	GUARNIZIONE CU/ALIM 3/8 22X17X3	3/8 22X17X3 FEEDER/COPPER SEAL	JOINT CUIVRE/ALIM 3/8 22X17X3	KUPFERDICHTUNG/SPEIS. 3/8 22X17X3
4	43052	RACCORDO "L" 3/8	CONNECTOR 'L' 3/8	RACCORD 'L' 3/8	ANSCHLUSS 'L' 3/8
5	56150	VALVOLA ANTIRISUCCHIO V.A.R.	ANTI-EDDY VALVE V.A.R.	SOUPAPE ANTI-DEPRESSION V.A.R.	VENTIL UNTERDRUCKFREI V.A.R.
6	12153	GUARNIZIONE CU 1/4 17X13.3X1.5	1/4 17X13.3X1.5 COPPER SEAL	JOINT CUIVRE 1/4 17X13.3X1.5	KUPFERDICHTUNG 1/4 17X13.3X1.5
7	20261	SONDA LIVELLO L.100 CALDAIA D-158	LEVEL PROBE L.100 D-158	JAUGE L.100 D-158	PEGELFUHLER L.100 D-158
8	52000360	TUBO D-10 L.85 PESCANTE "L" A 50/D	TUBE D-10 L.85 A50/D	TUYAU D-10 L.85 A50/D	ROHR L.85 A50/D
9	12300000	GUARNIZIONE OR 3156 VITON X PISTONI	O RING VITON	JOINT OR VITON	OR DICHTUNG VITON
10	56009980	ASSIEME PROTEZIONE VALVOLE SICUREZZA	UNIT PROTECTION VALVE	ENSEMBLE PROTECTION VANNE	SATZ-SCHUTZGITTER VENTIL
11	15478002	TUBO SILICONE 8X11 L.70CM	SILICONE TUBE 8X11 L.70CM	TUYAU SILICONE 8X11 L.70CM	SILIKONROHR 8X11 L.70CM
12	20352	VALVOLA DI SICUREZZA *CE*	*CE* SAFETY VALVE	VANNE DE SECURITE *CE*	SICHERHEITSVENTIL *CE*
13	15006001	FLANGIA GRIGOLY VALVOLA SIC.	FLANGE GRIVORY VALVE	JOINT GRIVORY VANNE	FLANSCH GRIVORY VENTIL
14	62001103	CALDAIA 1GR *CE* ESTRAIBILE D-158	BOILER 1GR *CE* DISTRIBUTION D-158	CHAUDIERE 1GR *CE* DEBIT D-158	KESSEL 1GR *CE* AUSGABE D-158
14	62002103	CALDAIA 2GR *CE* ESTRAIBILE D-158	BOILER 2GR *CE* DISTRIBUTION D-158	CHAUDIERE 2GR *CE* DEBIT D-158	KESSEL 2GR *CE* AUSGABE D-158
14	62003103	CALDAIA 3GR *CE* ESTRAIBILE D-158	BOILER 3GR *CE* DISTRIBUTION D-158	CHAUDIERE 3GR *CE* DEBIT D-158	KESSEL 3GR *CE* AUSGABE D-158
15	63100002	SCAMBIATORE ESTRAIBILE PER CALDAIA	EXTRACTABLE EXCHANGER FOR D-158	ECHANGEUR EXTRAIBLE POUR D158	AUSZIEHBARER WARMETAUSCHER D-158
16	23132001	PRIGIONIERO INOX M8 FONDO	M8 STAINLESS STEEL BOTTOM STUD BOLT	PRISONNIER INOX M8 FOND	STIFTSCHRAUBE EDELSTAHL M8 BODEN
17	23049	DADO OTTONE M8 UNI 5587	BRASS NUT M8 UNI 5587	ECROU LAITON M8 UNI 5587	MESSING-SCHRAUBENMUTTER M8 UNI 5587



Pos	Cod.	Denominazione - IT -	Denomination - GB -	Denomination - FR -	Denomination - DE -
1	17001	RESISTENZA 1GR 4P 120V 2000W	HEATING ELEMENT 1GR 110V-2000W	RESISTANCE ELECTRIQUE 1GR 110V2000W	HEIZKORPER 1 GR 110V 2000W
1	17012	RESISTENZA 1GR 6P 230/380V 2700W	HEAT.ELEM.1GR 230/380V 2700W 6POLES	RESISTANCE 1GR 230/380V 2700W/6POLES	HEIZKORPER 1GR 230/380V 2700W 6POLES
1	17050	RES.2GR 4P 120V 2600W	HEATING ELEMENT 2GR 110V-2600W	RESISTANCE ELEC. 2GR 110V-2600W	HEIZKORPER 2GR 110V-2600W
1	17059	RESISTENZA 2GR 6P 230/380V 3400W	HEATING EL.2GR 220/380V-3400W 6POLE	RESISTANCE 2GR 220/380V-3400W 6POLE	HEIZKORPER 2GR 220/380V-3400W 6P
1	17107	RESISTENZA 3GR 6P 230/380V 5000W	HEATING EL. 3GR 220/380V 5000W 6P	RESISTANCE 3GR 220/380V 5000W 6P	HEIZKORPER 3GR 220/380V 5000W 6P
2	12001	GUARNIZIONE TEFLON VERGINE X RES/SCA	TEFLON GASKET ELEMENT/EXCH. 58X43X2	JOINT TEFLON RESIST/ECHANG. 58X43X2	TEFLON DICHTUNG 58X23X2
3	12101	GUARNIZIONE CU/ALIM 3/8 22X17X3	3/8 22X17X3 FEEDER/COPPER SEAL	JOINT CUIVRE/ALIM 3/8 22X17X3	KUPFERDICHTUNG/SPEIS. 3/8 22X17X3
4	43052	RACCORDO "L" 3/8	CONNECTOR 'L' 3/8	RACCORD 'L' 3/8	ANSCHLUSS 'L' 3/8
5	23203	RACCORDO OTT.GOM.D6.2 1/4x1/4 CON	ELBOW BRASS CONNECTOR D6.2 1/4 X 1/4	RACCORD COUDE LAITON D6.2 1/4 X 1/4	MESSING-ANSCHLUSS D6.2 1/4X1/4
6	12153	GUARNIZIONE CU 1/4 17X13.3X1.5	1/4 17X13.3X1.5 COPPER SEAL	JOINT CUIVRE 1/4 17X13.3X1.5	KUPFERDICHTUNG 1/4 17X13.3X1.5
7	20261	SONDA LIVELLO L.100 CALDAIA D-158	LEVEL PROBE L.100 D-158	JAUGE L.100 D-158	PEGELFUHLER L.100 D-158
8	52000360	TUBO D-10 L.85 PESCANTE "L" A 50/D	TUBE D-10 L.85 A50/D	TUYAU D-10 L.85 A50/D	ROHR L.85 A50/D
9	12300000	GUARNIZIONE OR 3156 VITON X PISTONI	O RING VITON	JOINT OR VITON	OR DICHTUNG VITON
10	56009980	ASSIEME PROTEZIONE VALVOLE SICUREZZA	UNIT PROTECTION VALVE	ENSEMBLE PROTECTION VANNE	SATZ-SCHUTZGITTER VENTIL
11	15478002	TUBO SILICONE 8X11 L.70CM	SILICONE TUBE 8X11 L.70CM	TUYAU SILICONE 8X11 L.70CM	SILIKONROHR 8X11 L.70CM
12	20352	VALVOLA DI SICUREZZA *CE*	*CE* SAFETY VALVE	SOUPAPE DE SECURITE *CE*	SICHERHEITSENTIL *CE*
13	15006001	FLANGIA GRIGOLY VALVOLA SIC.	FLANGE GRIVORY VALVE	JOINT GRIVORY VANNE	FLANSCH GRIVORY VENTIL
14	56150	VALVOLA ANTIRISUCCHIO V.A.R.	ANTI-EDDY VALVE V.A.R.	SOUPAPE ANTI-DEPRESSION V.A.R.	VENTIL UNTERDRUCKFREI V.A.R.
15	62001103	CALDAIA 1GR *CE* ESTRAIBILE D-158	BOILER 1GR *CE* DISTRIBUTION D-158	CHAUDIERE 1GR *CE* DEBIT D-158	KESSEL 1GR *CE* AUSGABE D-158
15	62002103	CALDAIA 2GR *CE* ESTRAIBILE D-158	BOILER 2GR *CE* DISTRIBUTION D-158	CHAUDIERE 2GR *CE* DEBIT D-158	KESSEL 2GR *CE* AUSGABE D-158
15	62003103	CALDAIA 3GR *CE* ESTRAIBILE D-158	BOILER 3GR *CE* DISTRIBUTION D-158	CHAUDIERE 3GR *CE* DEBIT D-158	KESSEL 3GR *CE* AUSGABE D-158
16	63100002	SCAMBIATORE ESTRAIBILE PER CALDAIA	EXTRACTABLE EXCHANGER FOR D-158	ECHANGEUR EXTRAIBLE POUR D158	AUSZIEHBARER WARMETAUSCHER D-158
17	23132001	PRIGIONIERO INOX M8 FONDO	M8 STAINLESS STEEL BOTTOM STUD BOLT	PRISONNIER INOX M8 FOND	STIFTSCHRAUBE EDELSTAHL M8 BODEN
18	23049	DADO OTTONE M8 UNI 5587	BRASS NUT M8 UNI 5587	ECROU LAITON M8 UNI 5587	MESSING-SCHRAUBENMUTTER M8 UNI 5587

INDICE - INDEX - SOMMAIRE - VERZEICHNIS

rev.

ISB-01

Impianto idraulico **SEMIAUTOMATICA**
Hydraulic circuit **SEMIAUTOMATIC** **1GR** **00** **01**
Circuit hydraulique **SEMI-AUTOMATIQUE** **01/2003** **02/2003**
Wasser-anlage **HALBAUTOMATISCHE**

ISB-02

Impianto idraulico **SEMIAUTOMATICA**
Hydraulic circuit **SEMIAUTOMATIC** **2-3GR** **00** **01**
Circuit hydraulique **SEMI-AUTOMATIQUE** **01/2003** **02/2003**
Wasser-anlage **HALBAUTOMATISCHE**

ISB-03

Impianto idraulico **ELETTRONICA**
Hydraulic circuit **ELECTRONIC** **1GR** **00** **01**
Circuit hydraulique **ELECTRONIQUE** **01/2003** **02/2003**
Wasser-anlage **ELEKTRONISCHE**

ISB-04

Impianto idraulico **ELETTRONICA**
Hydraulic circuit **ELECTRONIC** **2-3GR** **00** **01**
Circuit hydraulique **ELECTRONIQUE** **01/2003** **02/2003**
Wasser-anlage **ELEKTRONISCHE**

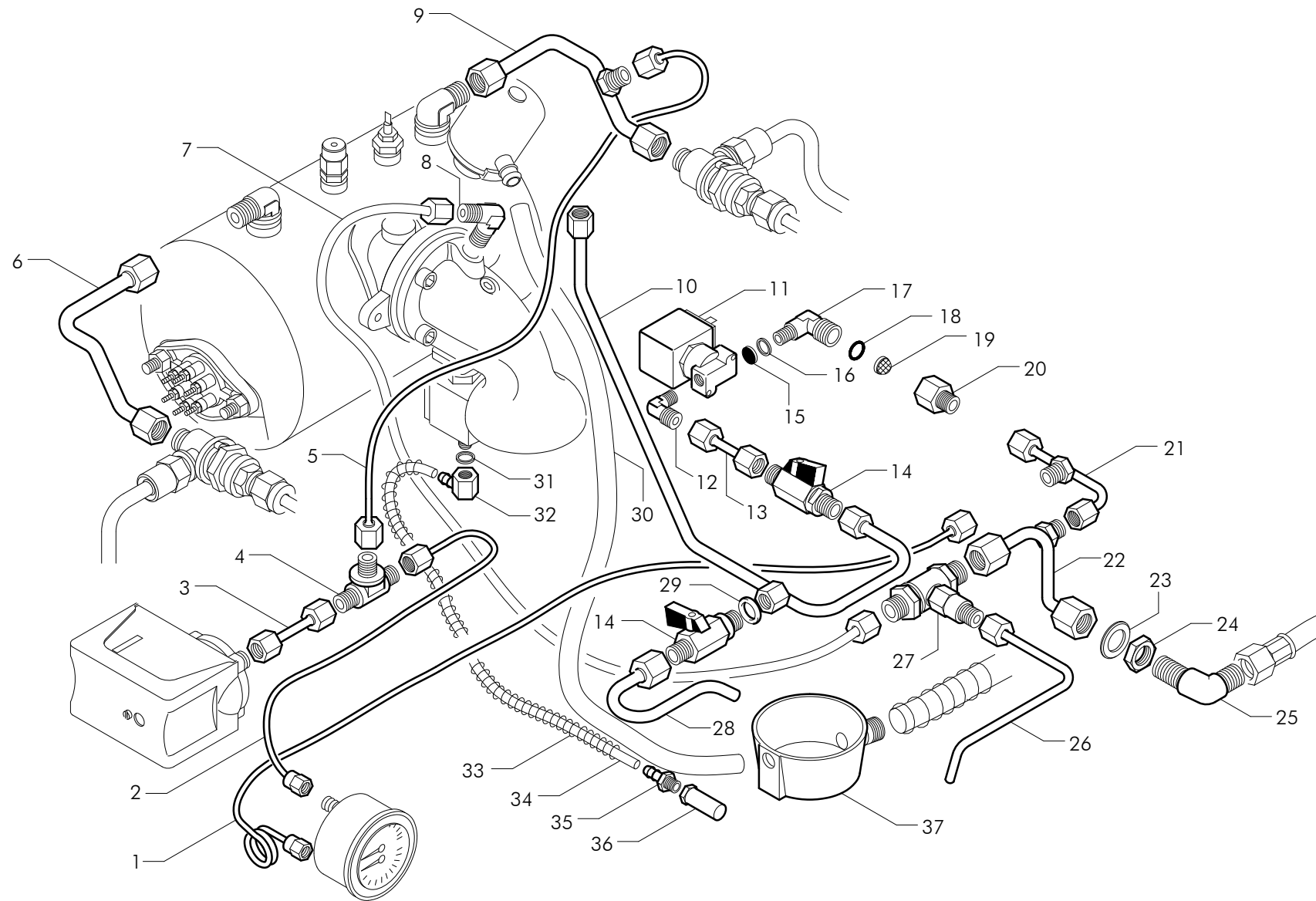
*Impianto
idraulico*

*Hydraulic
circuit*

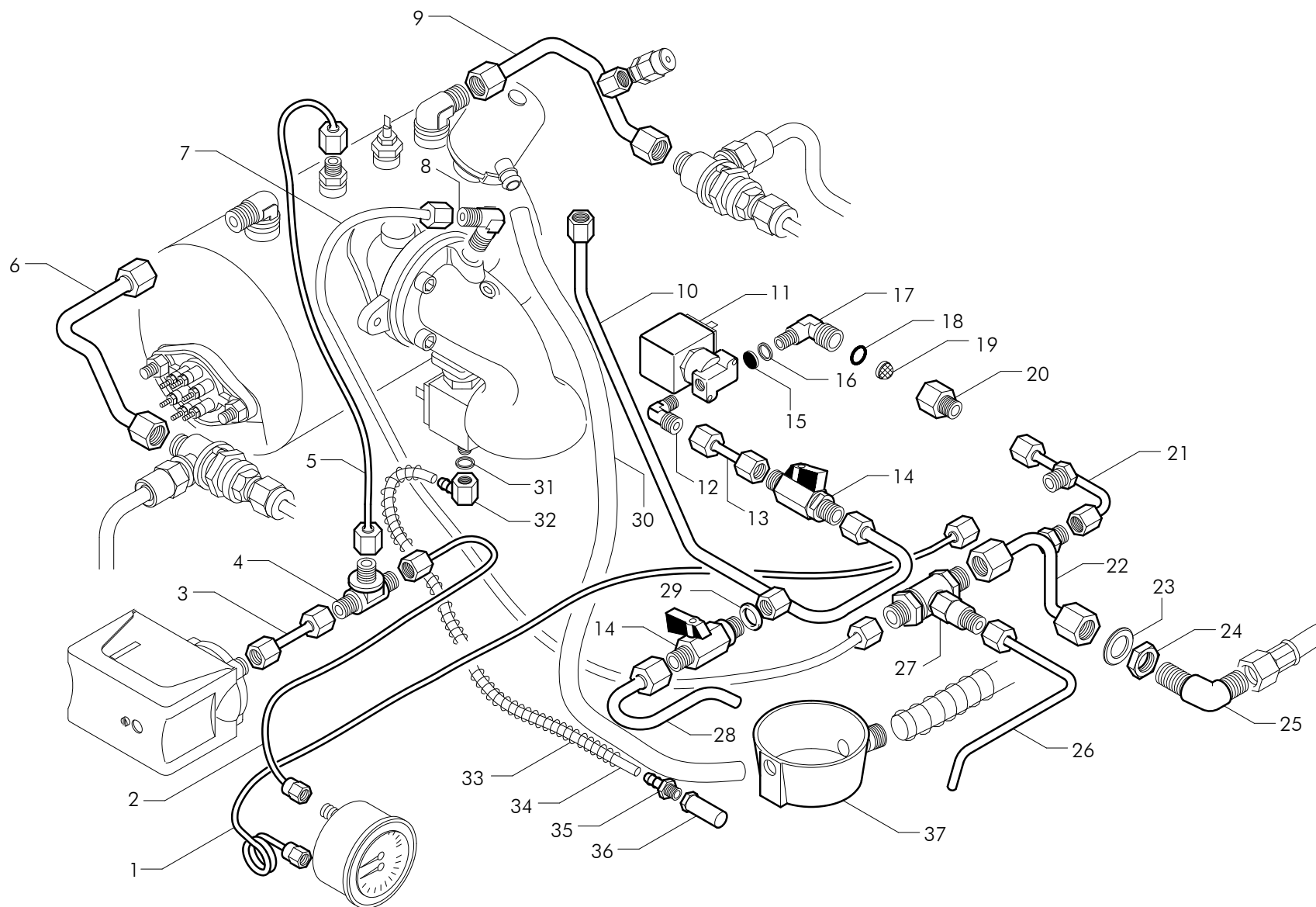
*Circuit
hydraulique*

Wasser-anlage

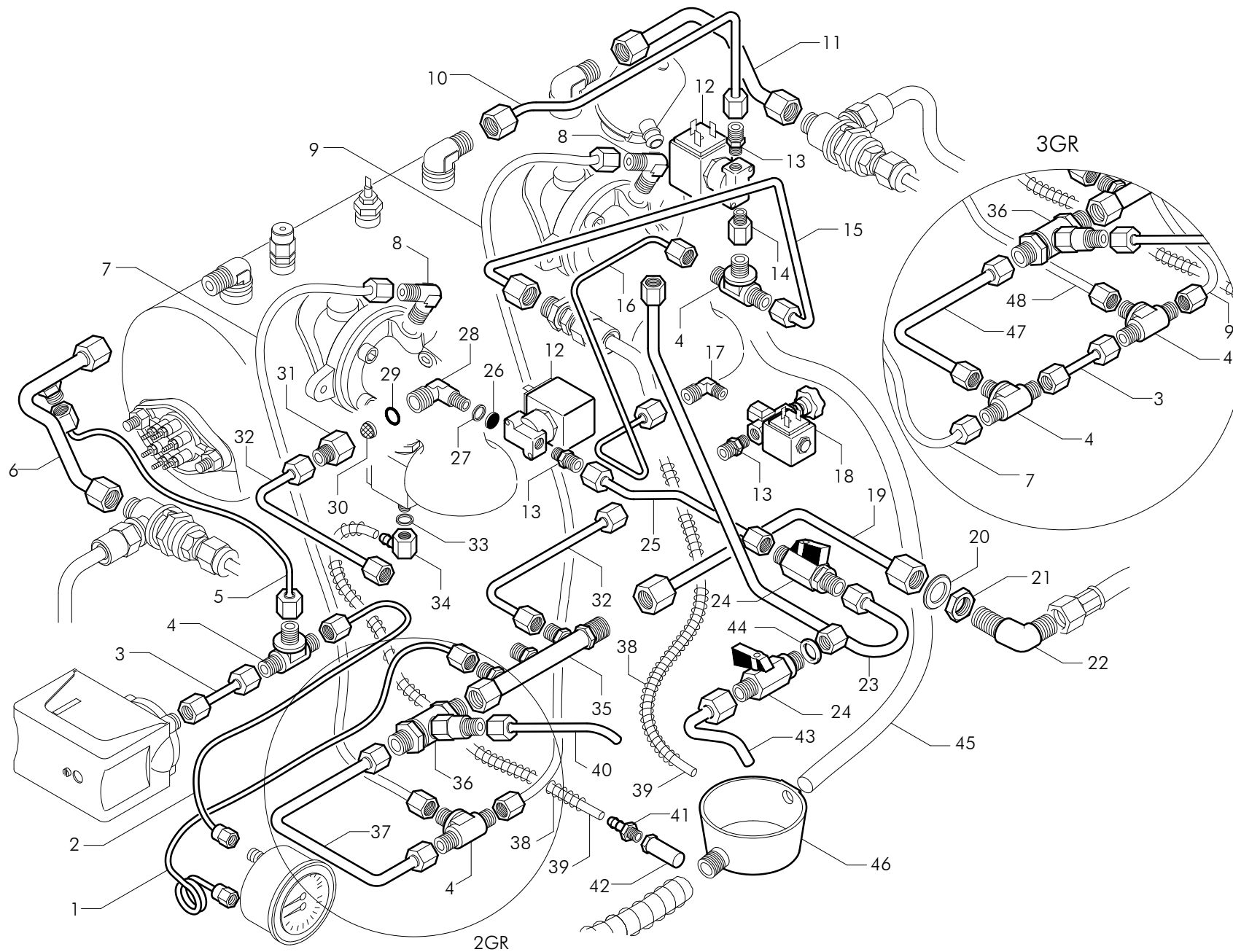
SIBILLA



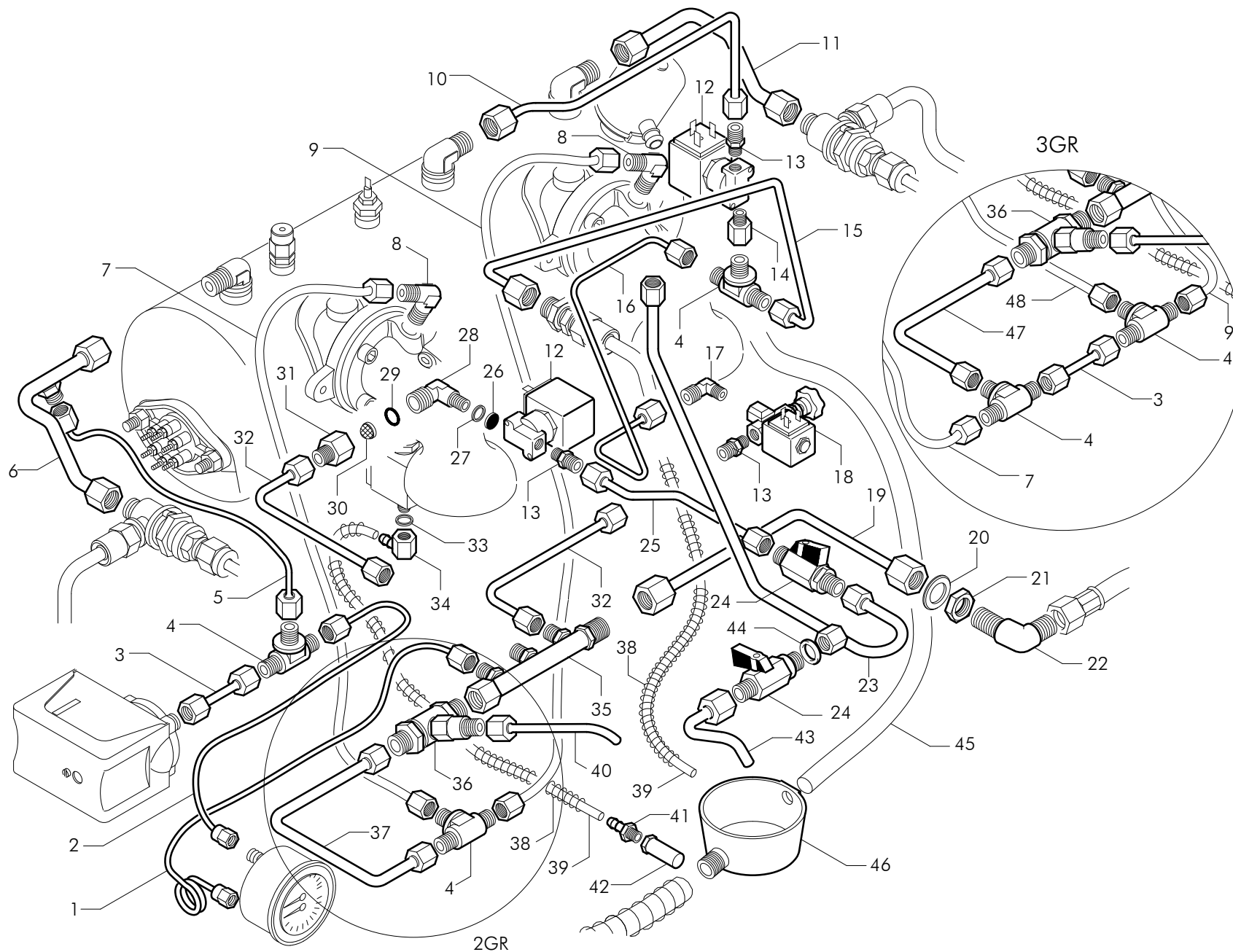
Pos.	Cod.	Denominazione - IT -	Denomination - GB -	Denomination - FR -	Denomination - DE -
1	52000110	TBS.D-4 L.730 1-4GR A 44	TUBE D-4 L.730 1-4 GR A 44	TUYAU D-4 L.730 1-4GR A 44	ROHR D-4 L.730 1-4GR A 44
2	52001437	TBS.D-4 L.435 1GR CTS AR 60	D-4 435 L PIPE 1GR CTS AR 60	TUYAU D-4 L.435 1GR CTS AR 60	ROHR D-4 L.435 1GR CTS AR 60
3	52000202	TBS.D-6 L.65 DV 3	D-6 65 L PIPE DV 3	TUYAU D-6 L.65 DV	ROHR D. 6 L.65 DV
4	43060001	RACCORDO 1/4X1/4CONX1/4 T	1/4 X 1/4 CON X 1/4 T FITTING	RACCORD 1/4X1/4CON.X1/4 T	ANSCHLUSS 1/4X1/4CONX1/4 T
5	52001712	TUBO D-4 L.580 2GR SB/14	TUBE D-4 L.580 2GR SB/14	TUYAU D-4 L.580 2GR SB/14	ROHR D-4 L.580 2GR SB/14
6	52001721	TUBO D-8 L.150 1GR SB/23	D-8 150 L PIPE 1GR SB/23	TUYAU D-8 L.150 1GR SB/23	ROHR D-8 L.150 1GR SB/23
7	52001729	TBS.D-6 L.935 SB/VE AEP/1 SB/31	D-6 935 L PIPE 1GR SB/31	TUYAU D-6 L.935 1GR SB/31	ROHR D-6 L.935 1GR SB/31
8	23203	RACCORDO OTT.GOM.D6.2 1/4X1/4 CON	ELBOW BRASS CONNECTOR D6.2 1/4X1/4	RACCORD COUDE LAITON D6.2 1/4X1/4	MESSING-ANSCHLUSS D6.2 1/4X1/4
9	52001720	TUBO D-10 L.105 1GR SB/22	D-10 105 L PIPE 1GR SB/22	TUYAU D-10 L.105 1GR SB/22	ROHR D-10 L.105 1GR SB/22
10	52001724	TUBO D-8 L.475 1GR SB/26	D-8 475 L PIPE 1GR SB/26	TUYAU D-8 L.475 1GR SB/26	ROHR D-8 L.475 1GR SB/26
11	18162	ELETTRORVALVOLA 230V AEA VE140.2IR-C UL P	SOL.VALVE WATER REFILL 230V PARKER	ELECTROVANNE REA 230V PARKER	ELEKTROVENTIL AWZ 230V PARKER
11	18195	ELETTRORVALVOLA 120V VE140.2IR VDE/UL PAR	SOLENOID VALVE SCEM 2/2 110V 60HZ	ELECTROVANNE SCEM 2/2 110V 60HZ	MAGNETVENTIL SCEM 2/2 110V 60HZ
12	23201	RACCORDO OTT.GOM.D6.2 1/4X1/8-AEA	ELBOW BRASS CONNECTOR D6.2 1/4X1/8	RACCORD COUDE LAITON D6.2 1/4X1/8	MESSING-ANSCHLUSS D6.2 1/4X1/8
13	52001428	TBS.D-6 L.50 2GR THE MISC AR/53	D-6 50 L PIPE 2GR TEA MIX AR/53	TUYAU D-6 L.50 2GR THE MISC AR/53	ROHR D-6 L.50 2GR THE MISC AR/53
14	20354	VALVOLA CHIUSURA AEA	PRESSURE RELEASE TAP BULK UNIT	CLAPET FERMETURE AUT.ARRIVEE EAU	ABSPERRVENTIL X AUT.WASSERZUFUHR
15	10251001	FILTRO IN ACCIAIO D-8 SP.0,3	STEEL FILTER D-8 - 0.3 THICK	FILTRE EN ACIER D-8 EP.0,3	STAHLFILTER D-8 SP.0,3
16	12155	GUARNIZIONE CU 8.5X5X1	COPPER GASKET 8.5X5X1	JOINT CU 8.5X5X1	CU DICHTUNG 8.5X5X1
17	23217	RACCORDO GOMITO D10 3/8X1/8 CON AEA F 1.	FITTING D10 3/8X1/8 WITH AWI F 1.2	RACCORD GOMME D10 3/8X1/8 AEE F 1.2	FITTING D10 3/8X1/8 MIT A.W.F. 1.2
18	12312	GUARNIZIONE OR FILTRO AEA 10X2	O RING FOR WATER REFILL FILTER 10X2	JOINT OR FILTRE AUT.REM.EAU 10X2	OR DICHTUNG FUR WASSERFULLUNGFILTER
19	10254	FILTRO ACCIAIO 160-200 MESH	STEEL FILTER 160-200 MESH	FILTRE EN ACIER 160-200 MESH	STAHLFILTER 160-200 MESH
20	25705	RACCORDO FILTRO AEA	AUT.WATER REFILL FILTER CONNECTOR	RACCORD FILTRE REM.EAU.AUT.	FILTERFITTING AUT.WASSERFULLUNG
21	52001726	TUBO D-6 L.135 1GR SB/28	D-6 135 L PIPE 1GR SB/28	TUYAU D-6 L.135 1GR SB/28	ROHR D-6 L.135 1GR SB/28
22	52001725	TUBO D-8 L.135 1GR SB/27	D-8 135 L PIPE 1GR SB/27	TUYAU D-8 L.135 1GR SB/27	ROHR D-8 L.135 1GR SB/27
23	25651	RONDELLA OTTONE 3/8	BRASS WASHER 3/8	RONDELLE LAITON 3/8	MESSINGSCHLEIBE 3/8
24	25356	CONTRODADO OTTONE 3/8	BRASS LOCK NUT 3/8	CONTRE-ECROU LAITON 3/8	MESSING-GEGENMUTTER 3/8
25	43067	RACCORDO "L" 3/8 GASX3/8 GAS L.30	3/8 GAS X 3/8 GAS L FITTING L.30	RACCORD L 3/8 GAZX3/8 GAZ L.30	ANSCHLUSS L 3/8 GAS X 3/8 GAS L. 30
26	52001717	TUBO D-6 L.180 1GR SB/19	D-6 180 L PIPE 1GR SB/19	TUYAU D-6 L.180 1GR SB/19	ROHR D-6 L.180 1GR SB/19
27	20361	VALVOLA S.C.N.R. REGOLABILE	ADJUSTABLE S.C.N.R. VALVE	SOUPAPE S.C.N.R. REGLABLE	EINSTELLBARES VENTIL S.N.C.R.
28	52000294	TBS.D-8 L.135 1GR DV 95 RUB.SCARICO > VA	D-8 135 L PIPE DV 95	TUYAU D-8 L.135 DV 9	ROHR D. 8 L.135 DV 9
29	12101	GUARNIZIONE CU/ALIM 3/8 22X17X3	3/8 22X17X3 FEEDER/COPPER SEAL	JOINT CUIVRE/ALIM 3/8 22X17X3	KUPFERDICHTUNG/SPEIS. 3/8 22X17X3
30	15478002	TUBO SILICONE 8X11 L.70CM	SILICONE TUBE 8X11 L.70CM	TUYAU SILICONE 8X11 L.70CM	SILIKONROHR 8X11 L.70CM
31	12155	GUARNIZIONE CU 8.5X5X1	COPPER GASKET 8.5X5X1	JOINT CU 8.5X5X1	CU DICHTUNG 8.5X5X1
32	23221001	PORTAGOMMA ES14 CR SCARICO GRUPPO	HOSE CONNECTION ES14 CR	PORTE-CAOTCHOU ES14 CR	GUMMIHALTER ES14 CR
33	10427007	MOLLA TUBETTO SCARICO STIRATA L.850	SPRING L.830	RESSORT L.830	FEDER L.830
34	15476002	TUBO SILICONE PLATINICO 3X7 KGXMT 0.04	SILICONE PIPE 3X7 KGXMT 0.04	TUBE SILICONE 3X7 KGXMT 0.04	SILIKONSCHLAUCH 3X7 KGXMT 0.04
35	23221002	PORTAGOMMA ES14 CR SCARICO BACINELLA	HOSE CONNECTION ES14 CR	PORTE-CAOUTCHOU ES14 CR	GUMMIHALTER ES14 CR
36	23055001	DADO ROMPIGETTO ES 14X27 OT/CR	DIFFUSER NUT ES 14X27	ECROU BRISE-JET ES 14X27	MUTTER ES 14X27
37	15502	VASCETTA SCARICO ROTONDA D 80	ROUND DRAIN BASIN D.80MM	CUVE A VIDANGER RONDE D.80MM	RUNDE ABFLUSSCHALE D.80MM



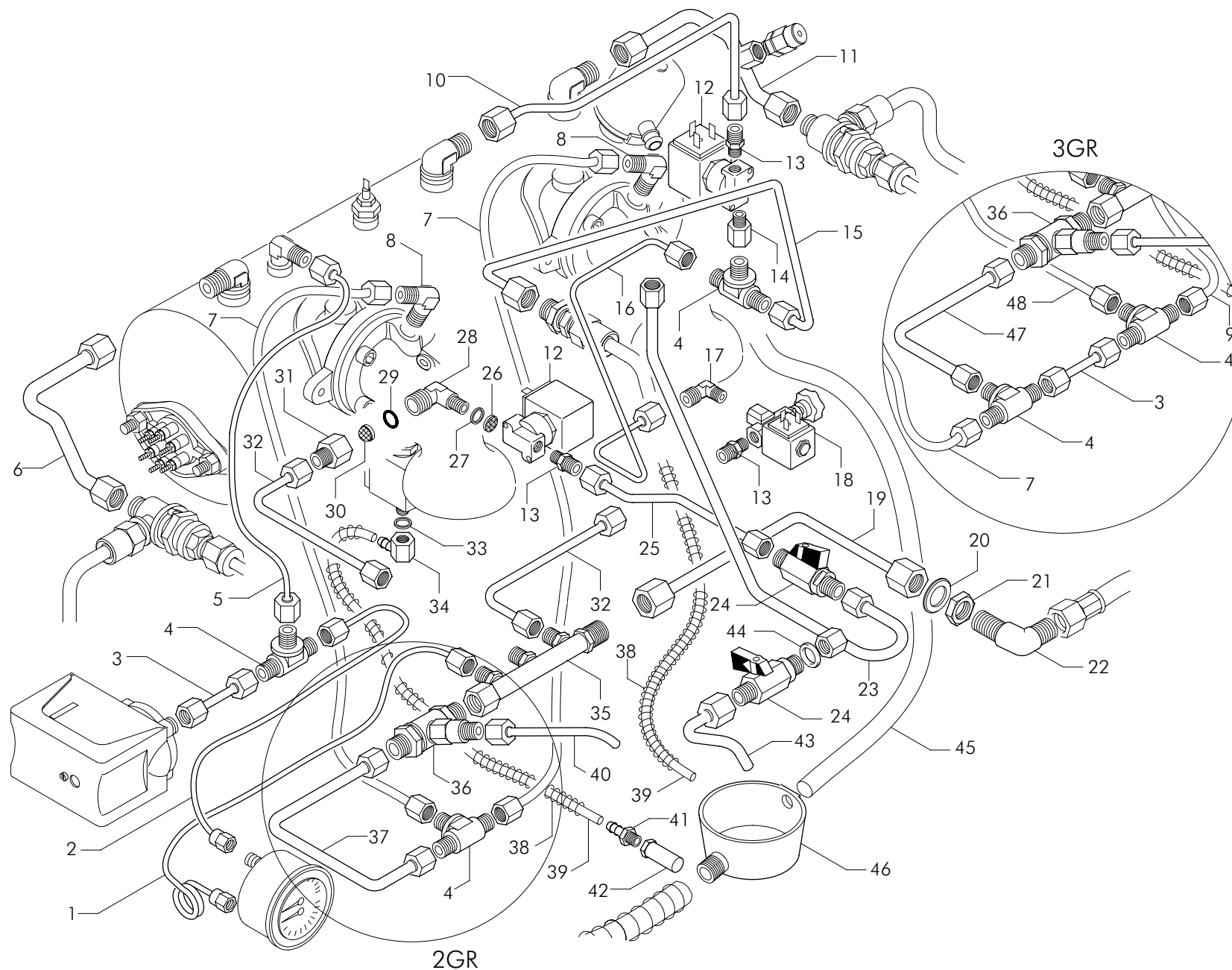
Pos.	Cod.	Denominazione - IT -	Denomination - GB -	Denomination - FR -	Denomination - DE -
1	52000110	TBS.D-4 L.730 1-4GR A 44	TUBE D-4 L.730 1-4 GR A 44	TUYAU D-4 L.730 1-4GR A 44	ROHR D-4 L.730 1-4GR A 44
2	52001437	TBS.D-4 L.435 1GR CTS AR 60	D-4 435 L PIPE 1GR CTS AR 60	TUYAU D-4 L.435 1GR CTS AR 60	ROHR D-4 L.435 1GR CTS AR 60
3	52000202	TBS.D-6 L.65 DV 3	D-6 65 L PIPE DV 3	TUYAU D-6 L.65 DV	ROHR D. 6 L.65 DV
4	43060001	RACCORDO 1/4X1/4CONX1/4 T	1/4 X 1/4 CON X 1/4 T FITTING	RACCORD 1/4X1/4CON.X1/4 T	ANSCHLUSS 1/4X1/4CONX1/4 T
5	52000282	TBS.D-4 L.450 JUN P.VIB. DV 83 CALDAIA >	D-4 450 L PIPE DV 83	TUYAU D-4 L.450 DV 8	ROHR D. 4 L.450 DV 8
6	52001721	TUBO D-8 L.150 1GR SB/23	D-8 150 L PIPE 1GR SB/23	TUYAU D-8 L.150 1GR SB/23	ROHR D-8 L.150 1GR SB/23
7	52001729	TBS.D-6 L.935 SB/VE AEP/1 SB/31	D-6 935 L PIPE 1GR SB/31	TUYAU D-6 L.935 1GR SB/31	ROHR D-6 L.935 1GR SB/31
8	23203	RACCORDO OTT.GOM.D6.2 1/4X1/4 CON	ELBOW BRASS CONNECTOR D6.2 1/4X1/4	RACCORD COUDE LAITON D6.2 1/4X1/4	MESSING-ANSCHLUSS D6.2 1/4X1/4
9	52001737	TUBO D-8 L.120 1GR SB22/A	D-8 120 L PIPE 1GR SB/22	TUYAU D-8 L.120 1GR SB/22	ROHR D-8 L.120 1GR SB/22
10	52001724	TUBO D-8 L.475 1GR SB/26	D-8 475 L PIPE 1GR SB/26	TUYAU D-8 L.475 1GR SB/26	ROHR D-8 L.475 1GR SB/26
11	18162	ELETTRORVALVOLA 230V AEA VE140.2IR-C UL P	SOL.VALVE WATER REFILL 230V PARKER	ELECTROVANNE REA 230V PARKER	ELEKTROVENTIL AWZ 230V PARKER
11	18195	ELETTRORVALVOLA 120V VE140.2IR VDE/UL PAR	SOLENOID VALVE SCEM 2/2 110V 60HZ	ELECTROVANNE SCEM 2/2 110V 60HZ	MAGNETVENTIL SCEM 2/2 110V 60HZ
12	23201	RACCORDO OTT.GOM.D6.2 1/4X1/8-AEA	ELBOW BRASS CONNECTOR D6.2 1/4X1/8	RACCORD COUDE LAITON D6.2 1/4X1/8	MESSING-ANSCHLUSS D6.2 1/4X1/8
13	52001428	TBS.D-6 L.50 2GR THE MISC AR/53	D-6 50 L PIPE 2GR TEA MIX AR/53	TUYAU D-6 L.50 2GR THE MISC AR/53	ROHR D-6 L.50 2GR THE MISC AR/53
14	20354	VALVOLA CHIUSURA AEA	PRESSURE RELEASE TAP BULK UNIT	CLAPET FERMETURE AUT.ARRIVEE EAU	ABSPERRVENTIL X AUT.WASSERZUFUHR
15	10251001	FILTRO IN ACCIAIO D-8 SP.0,3	STEEL FILTER D-8 - 0.3 THICK	FILTRE EN ACIER D-8 EP.0,3	STAHLFILTER D-8 SP.0,3
16	12155	GUARNIZIONE CU 8.5X5X1	COPPER GASKET 8.5X5X1	JOINT CU 8.5X5X1	CU DICHTUNG 8.5X5X1
17	23217	RACCORDO GOMITO D10 3/8X1/8 CON AEA F 1.	FITTING D10 3/8X1/8 WITH AWI F 1.2	RACCORD GOMME D10 3/8X1/8 AEE F 1.2	FITTING D10 3/8X1/8 MIT A.W.F. 1.2
18	12312	GUARNIZIONE OR FILTRO AEA 10X2	O RING FOR WATER REFILL FILTER 10X2	JOINT OR FILTRE AUT.REM.EAU 10X2	OR DICHTUNG FUR WASSERFULLUNGFILTER
19	10254	FILTRO ACCIAIO 160-200 MESH	STEEL FILTER 160-200 MESH	FILTRE EN ACIER 160-200 MESH	STAHLFILTER 160-200 MESH
20	25705	RACCORDO FILTRO AEA	AUT.WATER REFILL FILTER CONNECTOR	RACCORD FILTRE REM.EAU.AUT.	FILTERFITTING AUT.WASSERFULLUNG
21	52001726	TUBO D-6 L.135 1GR SB/28	D-6 135 L PIPE 1GR SB/28	TUYAU D-6 L.135 1GR SB/28	ROHR D-6 L.135 1GR SB/28
22	52001725	TUBO D-8 L.135 1GR SB/27	D-8 135 L PIPE 1GR SB/27	TUYAU D-8 L.135 1GR SB/27	ROHR D-8 L.135 1GR SB/27
23	25651	RONDELLA OTTONE 3/8	BRASS WASHER 3/8	RONDELLE LAITON 3/8	MESSINGSCHLEIBE 3/8
24	25356	CONTRODADO OTTONE 3/8	BRASS LOCK NUT 3/8	CONTRE-ECROU LAITON 3/8	MESSING-GEGENMUTTER 3/8
25	43067	RACCORDO "L" 3/8 GASX3/8 GAS L.30	3/8 GAS X 3/8 GAS L FITTING L.30	RACCORD L 3/8 GAZX3/8 GAZ L.30	ANSCHLUSS L 3/8 GAS X 3/8 GAS L. 30
26	52001717	TUBO D-6 L.180 1GR SB/19	D-6 180 L PIPE 1GR SB/19	TUYAU D-6 L.180 1GR SB/19	ROHR D-6 L.180 1GR SB/19
27	20361	VALVOLA S.C.N.R. REGOLABILE	ADJUSTABLE S.C.N.R. VALVE	SOUPAPE S.C.N.R. REGLABLE	EINSTELLBARES VENTIL S.N.C.R.
28	52000294	TBS.D-8 L.135 1GR DV 95 RUB.SCARICO > VA	D-8 135 L PIPE DV 95	TUYAU D-8 L.135 DV 9	ROHR D. 8 L.135 DV 9
29	12101	GUARNIZIONE CU/ALIM 3/8 22X17X3	3/8 22X17X3 FEEDER/COPPER SEAL	JOINT CUIVRE/ALIM 3/8 22X17X3	KUPFERDICHTUNG/SPEIS. 3/8 22X17X3
30	15478002	TUBO SILICONE 8X11 L.70CM	SILICONE TUBE 8X11 L.70CM	TUYAU SILICONE 8X11 L.70CM	SILIKONROHR 8X11 L.70CM
31	12155	GUARNIZIONE CU 8.5X5X1	COPPER GASKET 8.5X5X1	JOINT CU 8.5X5X1	CU DICHTUNG 8.5X5X1
32	23221001	PORTAGOMMA ES14 CR SCARICO GRUPPO	HOSE CONNECTION ES14 CR	PORTE-CAOTCHOU ES14 CR	GUMMIHALTER ES14 CR
33	10427007	MOLLA TUBETTO SCARICO STIRATA L.850	SPRING L.830	RESSORT L.830	FEDER L.830
34	15476002	TUBO SILICONE PLATINICO 3X7 KGXMT 0.04	SILICONE PIPE 3X7 KGXMT 0.04M	TUBE SILICONE 3X7 KGXMT 0.04	SILIKONSCHLAUCH 3X7 KGXMT 0.04
35	23221002	PORTAGOMMA ES14 CR SCARICO BACINELLA	HOSE CONNECTION ES14 CR	PORTE-CAOUTCHOU ES14 CR	GUMMIHALTER ES14 CR
36	23055001	DADO ROMPIGETTO ES 14X27 OT/CR	DIFFUSER NUT ES 14X27	ECROU BRISE-JET ES 14X27	MUTTER ES 14X27
37	15502	VASCETTA SCARICO ROTONDA D 80	ROUND DRAIN BASIN D.80MM	CUVE A VIDANGER RONDE D.80MM	RUNDE ABFLUSSCHALE D.80MM



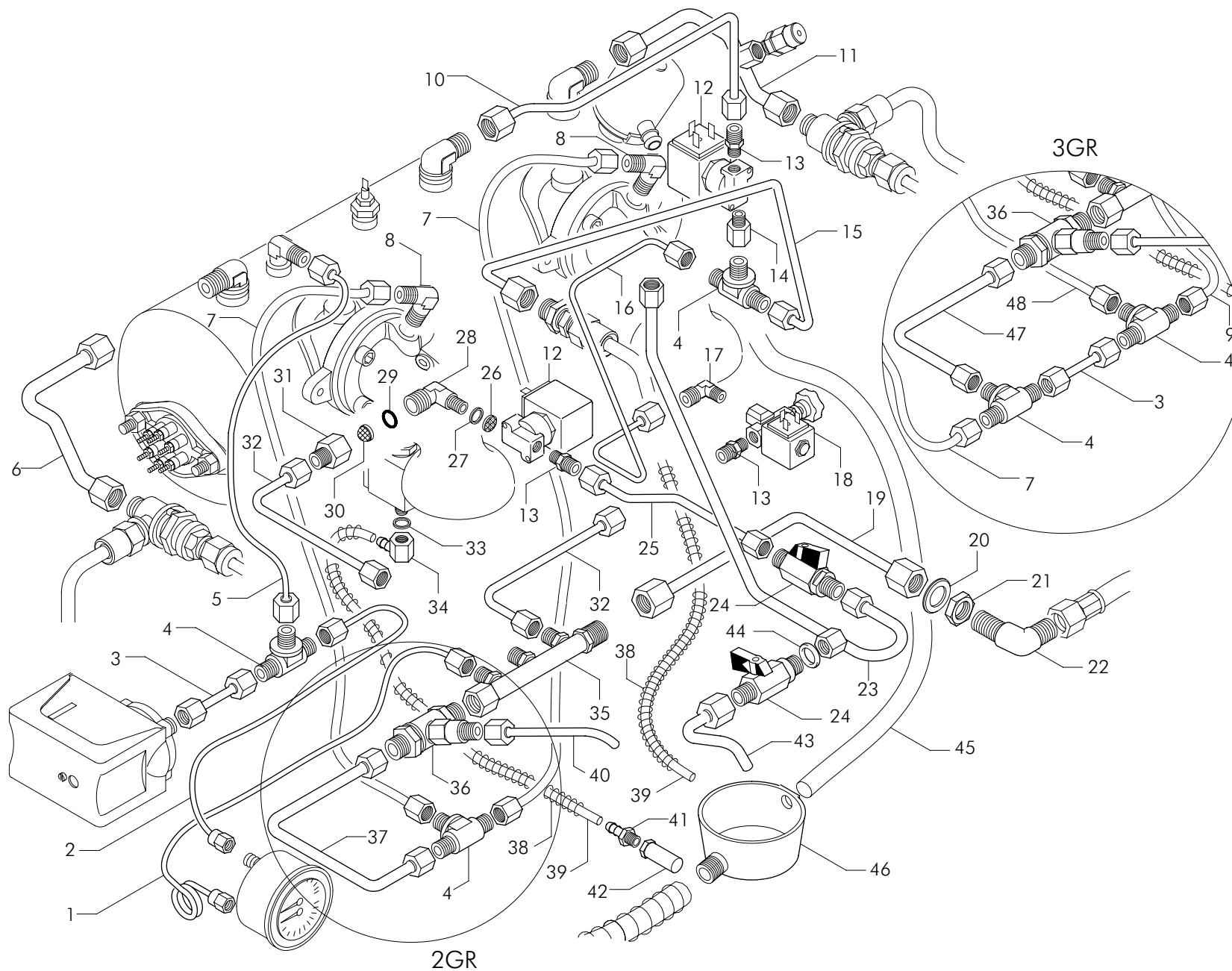
Pos.	Cod.	Denominazione - IT -	Denomination - GB -	Denomination - FR -	Denomination - DE -
1	52000110	TBS.D-4 L.730 1-4GR A 44	TUBE D-4 L.730 1-4 GR A 44	TUYAU D-4 L.730 1-4GR A 44	ROHR D-4 L.730 1-4GR A 44
1	52002770	TBS.D-4 L.900 2GR W 57POMPA > MANOMETRO	TUBE D-4 L.900	TUYAU D-4 L.900	ROHR D-4 L.900
2	52001437	TBS.D-4 L.435 1GR CTS AR 60	D-4 435 L PIPE 1GR CTS AR 60	TUYAU D-4 L.435 1GR CTS AR 60	ROHR D-4 L.435 1GR CTS AR 60
3	52000202	TBS.D-6 L.65 DV 3	D-6 65 L PIPE DV 3	TUYAU D-6 L.65 DV	ROHR D. 6 L.65 DV
4	43060001	RACCORDO 1/4X1/4CONX1/4 T	1/4 X 1/4 CON X 1/4 T FITTING	RACCORD 1/4XX1/4CON.X1/4 T	ANSCHLUSS 1/4X1/4CONX1/4 T
5	52001712	TUBO D-4 L.580 2GR SB/14	TUBE D-4 L.580 2GR SB/14	TUYAU D-4 L.580 2GR SB/14	ROHR D-4 L.580 2GR SB/14
6	52001704	TUBO D-10 L.155 2GR SB/5	D-10 155 L PIPE 2GR SB/5	TUYAU D-10 L.155 2GR SB/5	ROHR D-10 L.155 2GR SB/5
7	52001733	TBS.D-6 L.675 SB/VE AEP/2-3 SB/35	D-6 675 L PIPE 2-3GR SB/35	TUYAU D-6 L.675 2-3GR SB/35	ROHR D-6 L.675 2-3GR SB/35
8	23203	RACCORDO OTT.GOM.D6.2 1/4X1/4 CON	ELBOW BRASS CONNECTOR D6.2 1/4X1/4	RACCORD COUDE LAITON D6.2 1/4X1/4	MESSING-ANSCHLUSS D6.2 1/4X1/4
9	52001731	TBS.D-6 L.900 SB/VE AEP/2-3 SB/33	D-6 900 L PIPE 2-3GR SB/33	TUYAU D-6 L.900 2-3GR SB/33	ROHR D-6 L.900 2-3GR SB/33
10	52001710	TUBO D-6 L.300 2GR SB/11	D-6 300 L PIPE 2GR SB/11	TUYAU D-6 L.300 2GR SB/11	ROHR D-6 L.300 2GR SB/11
11	52001703	TUBO D-10 L.160 2GR SB/4	D-10 160 L PIPE 2GR SB/4	TUYAU D-10 L.160 2GR SB/4	ROHR D-10 L.160 2GR SB/4
12	18162	ELETTRIVALVOLA 230V AEA VE140.2IR-C UL P	SOL.VALVE WATER REFILL 230V PARKER	ELECTROVANNE REA 230V PARKER	ELEKTROVENTIL AWZ 230V PARKER
12	18195	ELETTRIVALVOLA 120V VE140.2IR VDE/UL PAR	SOLENOID VALVE SCEM 2/2 110V 60HZ	ELECTROVANNE SCEM 2/2 110V 60HZ	MAGNETVENTIL SCEM 2/2 110V 60HZ
13	25707	RACCORDO 1/8X1/4	CONNECTOR 1/8X1/4	RACCORD 1/8X1/4	ANSCHLUSS 1/8X1/4
14	25743	RIDUZIONE 1/4FX1/8M V.A.R.	REDUCTION 1/4FX1/8M V.A.R.	REDUCTION 1/4FX1/8M V.A.R.	REDUKTION 1/4FX1/8M V.A.R.
15	52001702	TUBO D-6 L.405 2GR SB/3	D-6 405 L PIPE 2GR SB/3	TUYAU D-6 L.405 2GR SB/3	ROHR D-6 L.405 2GR SB/3
16	52001711	TUBO D-4 L.545 2GR SB/12	D-4 545 L PIPE 2GR SB/12	TUYAU D-4 L.545 2GR SB/12	ROHR D-4 L.545 2GR SB/12
17	23201	RACCORDO OTT.GOM.D6.2 1/4X1/8-AEA	ELBOW BRASS CONNECTOR D6.2 1/4X1/8	RACCORD COUDE LAITON D6.2 1/4X1/8	MESSING-ANSCHLUSS D6.2 1/4X1/8
18	18161986	ELETTRIVALV.AEA REGOLAZ.PORTATA 120V 60H	AEA CAPACITY ADJUSTMENT SOLEN.VALVE 120V	ELECTROVAN. AEA REGLAGE DEBIT 120V 60HZ	ELEKTROVENTIL AEA DURCHFLOSSLEIST.120V 6
18	18161988	ELETTRIVALV.AEA REGOLAZ.PORTATA 230V 50H	AEA CAPACITY ADJUSTMENT SOLENOID VALVE 2	ELECTROVAN.AEA REGLAGE DEBIT 230V 50HZ	ELEKTROVENTIL AEA DURCHFLOSSLEIST.230V 5
19	52001728	TUBO D-8 L.170 2-3GR SB/30	D-8 170 L PIPE 2-3GR SB/30	TUYAU D-8 L.170 2-3GR SB/30	ROHR D-8 L.170 2-3GR SB/30
20	25651	RONDELLA OTTONE 3/8	BRASS WASHER 3/8	RONDELLE LAITON 3/8	MESSINGSCHLEIBE 3/8
21	25356	CONTRODADO OTTONE 3/8	BRASS LOCK NUT 3/8	CONTRE-ECROU LAITON 3/8	MESSING-GEGENMUTTER 3/8
22	43067	RACCORDO "L" 3/8 GASX3/8 GAS L.30	3/8 GAS X 3/8 GAS L FITTING L.30	RACCORD L 3/8 GAZX3/8 GAZ L.30	ANSCHLUSS L 3/8 GAS X 3/8 GAS L. 30
23	52001727	TUBO D-8 L.390 2-3GR SB/29	D-8 390 L PIPE 2-3GR SB/29	TUYAU D-8 L.390 2-3GR SB/29	ROHR D-8 L.390 2-3GR SB/29
24	20354	VALVOLA CHIUSURA AEA	PRESSURE RELEASE TAP BULK UNIT	CLAPET FERMETURE AUT.ARRIVEE EAU	ABSPERRVENTIL X AUT.WASSERZUFUHR
25	52001667	TBS.D-6 L.80 1GR DE 59	D-6 80 L PIPE 1GR DE 59	TUYAU D-6 L.80 1GR DE 59	ROHR D-6 L.80 1GR DE 59
26	10251001	FILTRO IN ACCIAIO D-8 SP.0,3	STEEL FILTER D-8 - 0.3 THICK	FILTRE EN ACIER D-8 EP.0,3	STAHLFILTER D-8 SP.0,3
27	12155	GUARNIZIONE CU 8.5X5X1	COPPER GASKET 8.5X5X1	JOINT CU 8.5X5X1	CU DICHTUNG 8.5X5X1
28	23206	RACCORDO GOM.D10 3/8X1/8CON F3 24001018	ELBOW BRASS CONNECTOR D10 3/8X1/8	RACCORD COUDE LAITON D10 3/8X1/8	MESSING FITTING D10 3/8X1/8
29	12320	GUARNIZIONE OR 112 DI9.93X2.62 NBR SH 75	O RING 112 DI9.93X2.62 NBR SH 75	JOINT OR 112 DI9.93X2.62 NBR SH 75	OR DICHTUNG 112 DI9.93X6.62 NBR 75
30	10254	FILTRO ACCIAIO 160-200 MESH	STEEL FILTER 160-200 MESH	FILTRE EN ACIER 160-200 MESH	STAHLFILTER 160-200 MESH
31	25705	RACCORDO FILTRO AEA	AUT.WATER REFILL FILTER CONNECTOR	RACCORD FILTRE REM.EAU.AUT.	FILTERFITTING AUT.WASSERFULLUNG
32	52001709	TUBO D-6 L.190 2GR SB/10	D-6 190 L PIPE 2GR SB/10	TUYAU D-6 L.190 2GR SB/10	ROHR D-6 L.190 2GR SB/10
33	12155	GUARNIZIONE CU 8.5X5X1	COPPER GASKET 8.5X5X1	JOINT CU 8.5X5X1	CU DICHTUNG 8.5X5X1
34	23221001	PORTAGOMMA ES14 CR SCARICO GRUPPO	HOSE CONNECTION ES14 CR	PORTE-CAOTCHOU ES14 CR	GUMMIHALTER ES14 CR
35	56136004	ASSIEME BLOCCO DISTRIBUZ.2-3-4GR	DISTRIBUTION BLOCK 2-3-4GR	BLOC DISTRIBUTION 2-3-4GR	BLOCK VERTEILER 2-3-4GR



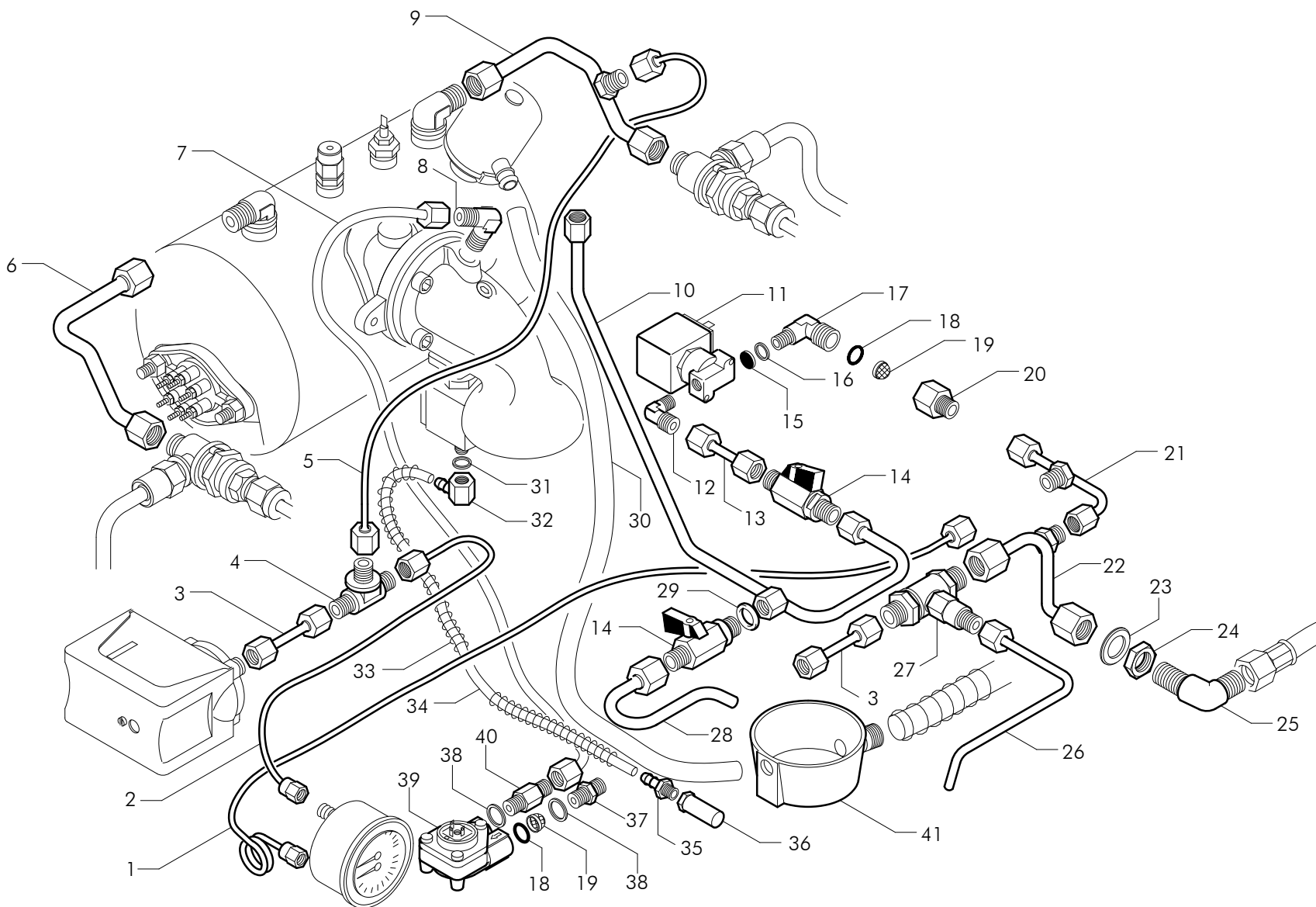
Pos.	Cod.	Denominazione - IT -	Denomination - GB -	Denomination - FR -	Denomination - DE -
36	20361	VALVOLA S.C.N.R. REGOLABILE	ADJUSTABLE S.C.N.R. VALVE	SOUPAPE S.C.N.R. REGLABLE	EINSTELLBARES VENTIL S.N.C.R.
37	52001722	TUBO D-8 L.260 2GR SB/24 SCNR > "T" DIST	D-8 260 L PIPE 2GR SB/24	TUYAU D-8 L.260 2GR SB/24	ROHR D-8 L.260 2GR SB/24
38	10427007	MOLLA TUBETTO SCARICO STIRATA L.850	SPRING L.830	RESSORT L.830	FEDER L.830
39	15476002	TUBO SILICONE PLATINICO 3X7 KGXMT 0.04	SILICONE PIPE 3X7 KGX0.04M	TUBE SILICONE 3X7 KGXMT 0.04	SILIKONSCHLAUCH 3X7 KGXMT 0.04
40	52001706	TUBO D-6 L.120 2GR SB/7	D-6 120 L PIPE 2GR SB/7	TUYAU D-6 L.120 2GR SB/7	ROHR D-6 L.120 2GR SB/7
41	23221002	PORTAGOMMA ES14 CR SCARICO BACINELLA	HOSE CONNECTION ES14 CR	PORTE-CAOUTCHOUC ES14 CR	GUMMIHALTER ES14 CR
42	23055001	DADO ROMPIGETTO ES 14X27 OT/CR	DIFFUSER NUT ES 14X27	ECROU BRISE-JET ES 14X27	MUTTER ES 14X27
43	52000267	TBS.D-8 L.100 DV 68 RUBINETTO DI SCARICO	D-8 100 L PIPE DV 68	TUYAU D-8 L.100 DV 6	ROHR D. 8 L.100 DV 6
44	12101	GUARNIZIONE CU/ALIM 3/8 22X17X3	3/8 22X17X3 FEEDER/COPPER SEAL	JOINT CUIVRE/ALIM 3/8 22X17X3	KUPFERDICHTUNG/SPEIS. 3/8 22X17X3
45	15478002	TUBO SILICONE 8X11 L.70CM	SILICONE TUBE 8X11 L.70CM	TUYAU SILICONE 8X11 L.70CM	SILIKONROHR 8X11 L.70CM
46	15502	VASCETTA SCARICO ROTONDA D 80	ROUND DRAIN BASIN D.80MM	CUVE A VIDANGER RONDE D.80MM	RUNDE ABFLUSSCHALE D.80MM
47	52001723	TBS.D-8 L.250 2GR SB/VE SB/25 SCNR > "T"	D-8 250 L PIPE 3GR SB/25	TUYAU D-8 L.250 3GR SB/25	ROHR D-8 L.250 3GR SB/25
48	52001732	TBS.D-6 L.785 SB/VE AEP/3 SB/34	D-6 785 L PIPE 3GR SB/34	TUYAU D-6 L.785 3GR SB/34	ROHR D-6 L.785 3GR SB/34



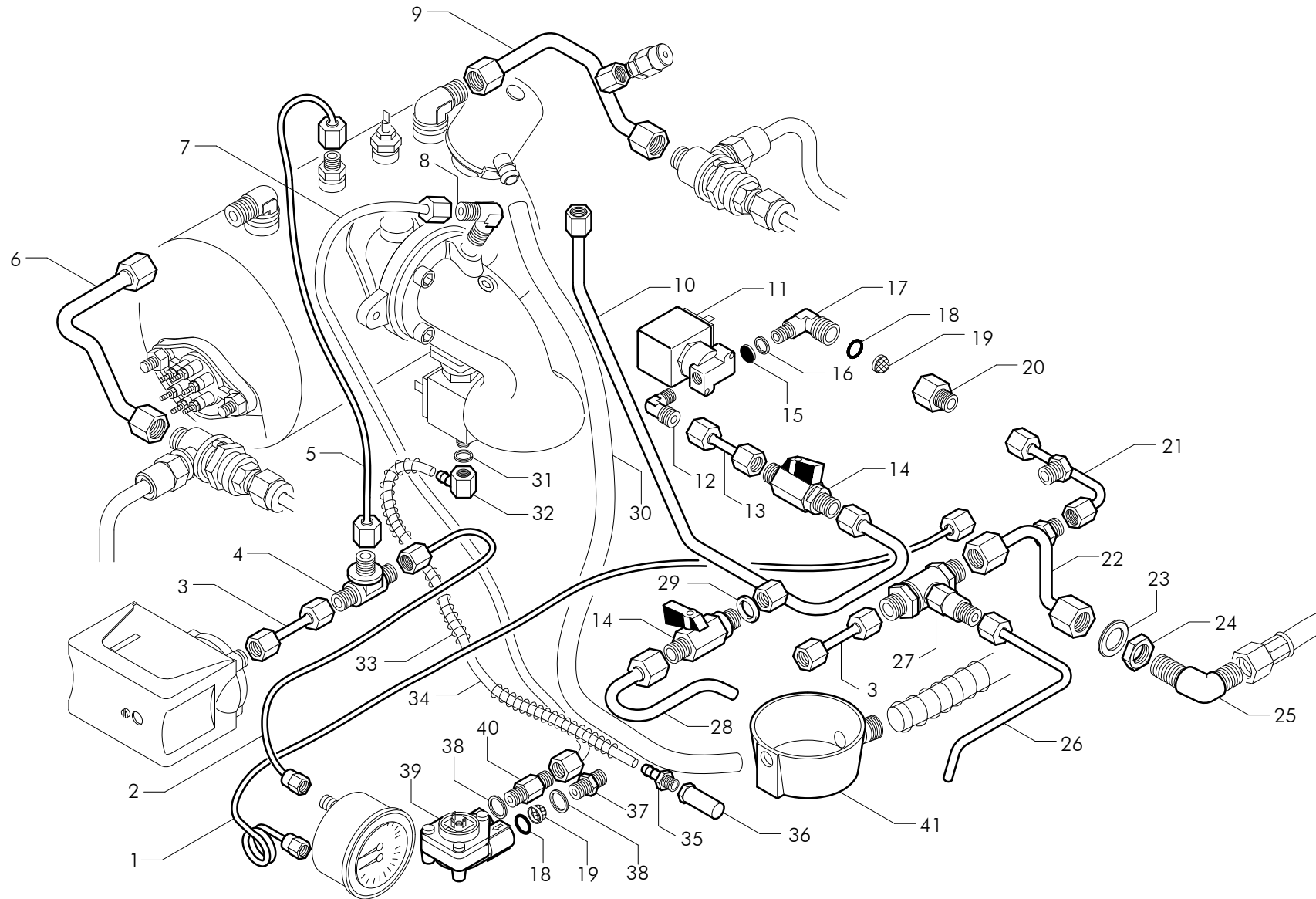
Pos.	Cod.	Denominazione - IT -	Denomination - GB -	Denomination - FR -	Denomination - DE -
1	52000110	TBS.D-4 L.730 1-4GR A 44	TUBE D-4 L.730 1-4 GR A 44	TUYAU D-4 L.730 1-4GR A 44	ROHR D-4 L.730 1-4GR A 44
1	52002771	TBS.D-4 L.1140 3GR W 58POMPA > MANOMETRO	TUBE D-4 L.1140 3GR W58	TUYAU D-4 L.1140 3GR W58	ROHR D-4 L.1140 3GR W58
2	52001437	TBS.D-4 L.435 1GR CTS AR 60	D-4 435 L PIPE 1GR CTS AR 60	TUYAU D-4 L.435 1GR CTS AR 60	ROHR D-4 L.435 1GR CTS AR 60
3	52000202	TBS.D-6 L.65 DV 3	D-6 65 L PIPE DV 3	TUYAU D-6 L.65 DV	ROHR D. 6 L.65 DV
4	43060001	RACCORDO 1/4X1/4CONX1/4 T	1/4 X 1/4 CON X 1/4 T FITTING	RACCORD 1/4XX1/4CON.X1/4 T	ANSCHLUSS 1/4X1/4CONX1/4 T
5	52001741	TUBO D-6 L.635 2GR	TUBE D-6 L.635 2GR	TUYAU D-6 L.635 2GR	ROHR D-6 L.635 2GR
5	52001742	TUBO D-6 L.660 3GR	TUBE D-6 L.660 3GR	TUYAU D-6 L.660 3GR	ROHR D-6 L.660 3GR
6	52001736	TUBO D-10 L.155 2GR SB5/A	D-10 155 L PIPE 2GR SB5/A	TUYAU D-10 L.155 2GR SB5/A	ROHR D-10 L.155 2GR SB5/A
7	52001733	TBS.D-6 L.675 SB/VE AEP/2-3 SB/35	D-6 675 L PIPE 2-3GR SB/35	TUYAU D-6 L.675 2-3GR SB/35	ROHR D-6 L.675 2-3GR SB/35
8	23203	RACCORDO OTT.GOM.D6.2 1/4X1/4 CON	ELBOW BRASS CONNECTOR D6.2 1/4X1/4	RACCORD COUDE LAITON D6.2 1/4X1/4	MESSING-ANSCHLUSS D6.2 1/4X1/4
9	52001731	TBS.D-6 L.900 SB/VE AEP/2-3 SB/33	D-6 900 L PIPE 2-3GR SB/33	TUYAU D-6 L.900 2-3GR SB/33	ROHR D-6 L.900 2-3GR SB/33
10	52001710	TUBO D-6 L.300 2GR SB/11	D-6 300 L PIPE 2GR SB/11	TUYAU D-6 L.300 2GR SB/11	ROHR D-6 L.300 2GR SB/11
11	52001735	TUBO D-10 L.160 2GR SB4/A	D-10 160 L PIPE 2GR SB4/A	TUYAU D-10 L.160 2GR SB4/A	ROHR D-10 L.160 2GR SB4/A
12	18162	ELETTROVALVOLA 230V AEA VE140.2IR-C UL P	SOL.VALVE WATER REFILL 230V PARKER	ELECTROVANNE REA 230V PARKER	ELEKTROVENTIL AWZ 230V PARKER
12	18195	ELETTROVALVOLA 120V VE140.2IR VDE/UL PAR	SOLENOID VALVE SCEM 2/2 110V 60HZ	ELECTROVANNE SCEM 2/2 110V 60HZ	MAGNETVENTIL SCEM 2/2 110V 60HZ
13	25707	RACCORDO 1/8X1/4	CONNECTOR 1/8X1/4	RACCORD 1/8X1/4	ANSCHLUSS 1/8X1/4
14	25743	RIDUZIONE 1/4FX1/8M V.A.R.	REDUCTION 1/4FX1/8M V.A.R.	REDUCTION 1/4FX1/8M V.A.R.	REDUKTION 1/4FX1/8M V.A.R.
15	52001702	TUBO D-6 L.405 2GR SB/3	D-6 405 L PIPE 2GR SB/3	TUYAU D-6 L.405 2GR SB/3	ROHR D-6 L.405 2GR SB/3
16	52001711	TUBO D-4 L.545 2GR SB/12	D-4 545 L PIPE 2GR SB/12	TUYAU D-4 L.545 2GR SB/12	ROHR D-4 L.545 2GR SB/12
17	23201	RACCORDO OTT.GOM.D6.2 1/4X1/8-AEA	ELBOW BRASS CONNECTOR D6.2 1/4X1/8	RACCORD COUDE LAITON D6.2 1/4X1/8	MESSING-ANSCHLUSS D6.2 1/4X1/8
18	18161986	ELETTROVALV.AEA REGOLAZ.PORTATA 120V 60H	AEA CAPACITY ADJUSTMENT SOLEN.VALVE 120V	ELECTROVAN. AEA REGLAGE DEBIT 120V 60HZ	ELEKTROVENTIL AEA DURCHFLOSSLEIST.120V 6
18	18161988	ELETTROVALV.AEA REGOLAZ.PORTATA 230V 50H	AEA CAPACITY ADJUSTMENT SOLENOID VALVE 2	ELECTROVAN.AEA REGLAGE DEBIT 230V 50HZ	ELEKTROVENTIL AEA DURCHFLOSSLEIST.230V 5
19	52001728	TUBO D-8 L.170 2-3GR SB/30	D-8 170 L PIPE 2-3GR SB/30	TUYAU D-8 L.170 2-3GR SB/30	ROHR D-8 L.170 2-3GR SB/30
20	25651	RONDELLA OTTONE 3/8	BRASS WASHER 3/8	RONDELLE LAITON 3/8	MESSINGSCHLEIBE 3/8
21	25356	CONTRODADO OTTONE 3/8	BRASS LOCK NUT 3/8	CONTRE-ECROU LAITON 3/8	MESSING-GEGENMUTTER 3/8
22	43067	RACCORDO "L" 3/8 GASX3/8 GAS L.30	3/8 GAS X 3/8 GAS L FITTING L.30	RACCORD L 3/8 GAZX3/8 GAZ L.30	ANSCHLUSS L 3/8 GAS X 3/8 GAS L. 30
23	52001727	TUBO D-8 L.390 2-3GR SB/29	D-8 390 L PIPE 2-3GR SB/29	TUYAU D-8 L.390 2-3GR SB/29	ROHR D-8 L.390 2-3GR SB/29
24	20354	VALVOLA CHIUSURA AEA	PRESSURE RELEASE TAP BULK UNIT	CLAPET FERMETURE AUT.ARRIVEE EAU	ABSPERRVENTIL X AUT.WASSERZUFUHR
25	52001667	TBS.D-6 L.80 1GR DE 59	D-6 80 L PIPE 1GR DE 59	TUYAU D-6 L.80 1GR DE 59	ROHR D-6 L.80 1GR DE 59
26	10251001	FILTRO IN ACCIAIO D-8 SP.0,3	STEEL FILTER D-8 - 0.3 THICK	FILTRE EN ACIER D-8 EP.0,3	STAHLFILTER D-8 SP.0,3
27	12155	GUARNIZIONE CU 8.5X5X1	COPPER GASKET 8.5X5X1	JOINT CU 8.5X5X1	CU DICHTUNG 8.5X5X1
28	23206	RACCORDO GOM.D10 3/8X1/8CON F3 24001018	ELBOW BRASS CONNECTOR D10 3/8X1/8	RACCORD COUDE LAITON D10 3/8X1/8	MESSING FITTING D10 3/8X1/8
29	12320	GUARNIZIONE OR 112 DI9.93X2.62 NBR SH 75	O RING 112 DI9.93X2.62 NBR SH 75	JOINT OR 112 DI9.93X2.62 NBR SH 75	OR DICHTUNG 112 DI9.93X2.62 NBR 75
30	10254	FILTRO ACCIAIO 160-200 MESH	STEEL FILTER 160-200 MESH	FILTRE EN ACIER 160-200 MESH	STAHLFILTER 160-200 MESH
31	25705	RACCORDO FILTRO AEA	AUT.WATER REFILL FILTER CONNECTOR	RACCORD FILTRE REM.EAU.AUT.	FILTERFITTING AUT.WASSERFULLUNG
32	52001709	TUBO D-6 L.190 2GR SB/10	D-6 190 L PIPE 2GR SB/10	TUYAU D-6 L.190 2GR SB/10	ROHR D-6 L.190 2GR SB/10
33	12155	GUARNIZIONE CU 8.5X5X1	COPPER GASKET 8.5X5X1	JOINT CU 8.5X5X1	CU DICHTUNG 8.5X5X1
34	23221001	PORTAGOMMA ES14 CR SCARICO GRUPPO	HOSE CONNECTION ES14 CR	PORTE-CAOTCHOU ES14 CR	GUMMIHALTER ES14 CR



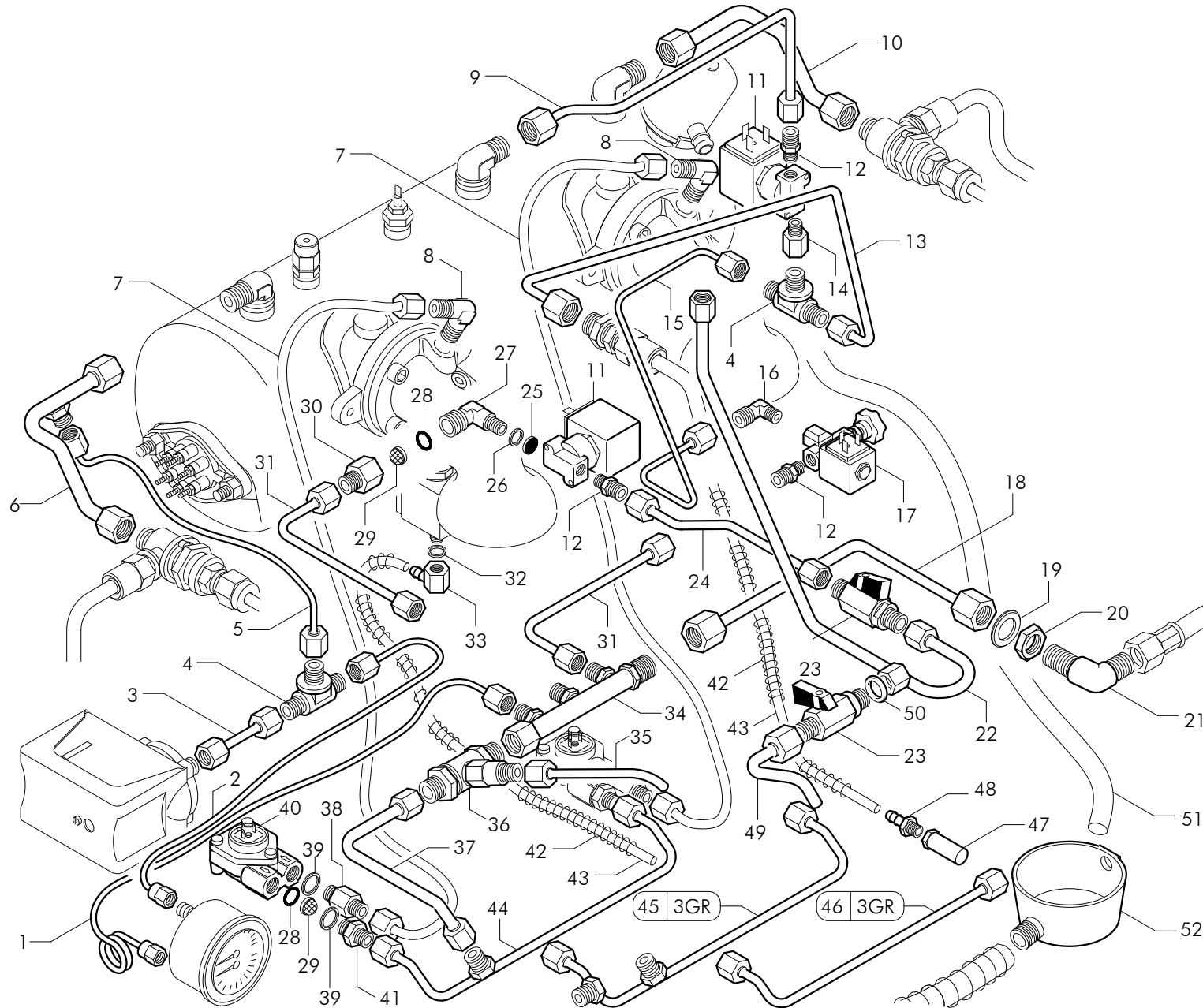
Pos.	Cod.	Denominazione - IT -	Denomination - GB -	Denomination - FR -	Denomination - DE -
35	56136004	ASSIEME BLOCCO DISTRIBUZ.2-3-4GR	DISTRIBUTION BLOCK 2-3-4GR	BLOC DISTRIBUTION 2-3-4GR	BLOCK VERTEILER 2-3-4GR
36	20361	VALVOLA S.C.N.R. REGOLABILE	ADJUSTABLE S.C.N.R. VALVE	SOUPAPE S.C.N.R. REGLABLE	EINSTELLBARES VENTIL S.N.C.R.
37	52001722	TUBO D-8 L.260 2GR SB/24 SCNR > "T" DIST	D-8 260 L PIPE 2GR SB/24	TUYAU D-8 L.260 2GR SB/24	ROHR D-8 L.260 2GR SB/24
38	10427007	MOLLA TUBETTO SCARICO STIRATA L.850	SPRING L.830	RESSORT L.830	FEDER L.830
39	15476002	TUBO SILICONE PLATINICO 3X7 KGXMT 0.04	SILICONE PIPE 3X7 KGX0.04M	TUBE SILICONE 3X7 KGXMT 0.04	SILIKONSCHLAUCH 3X7 KGXMT 0.04
40	52001706	TUBO D-6 L.120 2GR SB/7	D-6 120 L PIPE 2GR SB/7	TUYAU D-6 L.120 2GR SB/7	ROHR D-6 L.120 2GR SB/7
41	23221002	PORTAGOMMA ES14 CR SCARICO BACINELLA	HOSE CONNECTION ES14 CR	PORTE-CAOUTCHOUC ES14 CR	GUMMIHALTER ES14 CR
42	23055001	DADO ROMPIGETTO ES 14X27 OT/CR	DIFFUSER NUT ES 14X27	ECROU BRISE-JET ES 14X27	MUTTER ES 14X27
43	52000267	TBS.D-8 L.100 DV 68 RUBINETTO DI SCARICO	D-8 100 L PIPE DV 68	TUYAU D-8 L.100 DV 6	ROHR D. 8 L.100 DV 6
44	12101	GUARNIZIONE CU/ALIM 3/8 22X17X3	3/8 22X17X3 FEEDER/COPPER SEAL	JOINT CUIVRE/ALIM 3/8 22X17X3	KUPFERDICHTUNG/SPEIS. 3/8 22X17X3
45	15478002	TUBO SILICONE 8X11 L.70CM	SILICONE TUBE 8X11 L.70CM	TUYAU SILICONE 8X11 L.70CM	SILIKONROHR 8X11 L.70CM
46	15502	VASCETTA SCARICO ROTONDA D 80	ROUND DRAIN BASIN D.80MM	CUVE A VIDANGER RONDE D.80MM	RUNDE ABFLUSSCHALE D.80MM
47	52001723	TBS.D-8 L.250 2GR SB/VE SB/25 SCNR > "T"	D-8 250 L PIPE 3GR SB/25	TUYAU D-8 L.250 3GR SB/25	ROHR D-8 L.250 3GR SB/25
48	52001732	TBS.D-6 L.785 SB/VE AEP/3 SB/34	D-6 785 L PIPE 3GR SB/34	TUYAU D-6 L.785 3GR SB/34	ROHR D-6 L.785 3GR SB/34



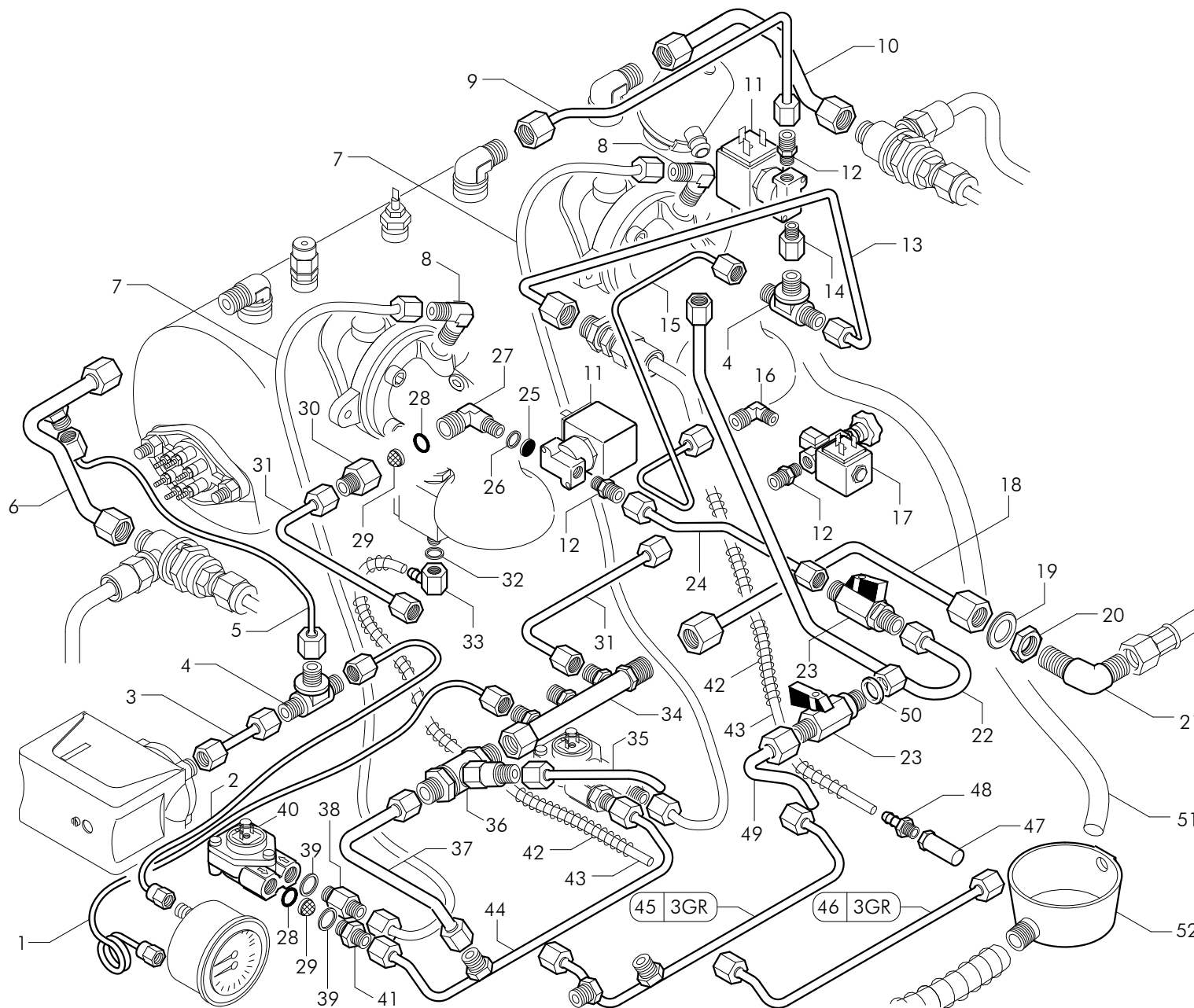
Pos.	Cod.	Denominazione - IT -	Denomination - GB -	Denomination - FR -	Denomination - DE -
1	52000110	TBS.D-4 L.730 1-4GR A 44	TUBE D-4 L.730 1-4 GR A 44	TUYAU D-4 L.730 1-4GR A 44	ROHR D-4 L.730 1-4GR A 44
2	52001437	TBS.D-4 L.435 1GR CTS AR 60	D-4 435 L PIPE 1GR CTS AR 60	TUYAU D-4 L.435 1GR CTS AR 60	ROHR D-4 L.435 1GR CTS AR 60
3	52000202	TBS.D-6 L.65 DV 3	D-6 65 L PIPE DV 3	TUYAU D-6 L.65 DV	ROHR D. 6 L.65 DV
4	43060001	RACCORDO 1/4X1/4CONX1/4 T	1/4 X 1/4 CON X 1/4 T FITTING	RACCORD 1/4XX1/4CON.X1/4 T	ANSCHLUSS 1/4X1/4CONX1/4 T
5	52001712	TUBO D-4 L.580 2GR SB/14	TUBE D-4 L.580 2GR SB/14	TUYAU D-4 L.580 2GR SB/14	ROHR D-4 L.580 2GR SB/14
6	52001721	TUBO D-8 L.150 1GR SB/23	D-8 150 L PIPE 1GR SB/23	TUYAU D-8 L.150 1GR SB/23	ROHR D-8 L.150 1GR SB/23
7	52001730	TBS.D-6 L.985 SB/VE SAE/1 SB/32	D-6 985 L PIPE 1GR SB/32	TUYAU D-6 L.985 1GR SB/32	ROHR D-6 L.985 1GR SB/32
8	23203	RACCORDO OTT.GOM.D6.2 1/4X1/4 CON	ELBOW BRASS CONNECTOR D6.2 1/4X1/4	RACCORD COUDE LAITON D6.2 1/4X1/4	MESSING-ANSCHLUSS D6.2 1/4X1/4
9	52001720	TUBO D-10 L.105 1GR SB/22	D-10 105 L PIPE 1GR SB/22	TUYAU D-10 L.105 1GR SB/22	ROHR D-10 L.105 1GR SB/22
10	52001724	TUBO D-8 L.475 1GR SB/26	D-8 475 L PIPE 1GR SB/26	TUYAU D-8 L.475 1GR SB/26	ROHR D-8 L.475 1GR SB/26
11	18162	ELETTROVALVOLA 230V AEA VE140.2IR-C UL P	SOL.VALVE WATER REFILL 230V PARKER	ELECTROVANNE REA 230V PARKER	ELEKTROVENTIL AWZ 230V PARKER
11	18195	ELETTROVALVOLA 120V VE140.2IR VDE/UL PAR	SOLENOID VALVE SCEM 2/2 110V 60HZ	ELECTROVANNE SCEM 2/2 110V 60HZ	MAGNETVENTIL SCEM 2/2 110V 60HZ
12	23201	RACCORDO OTT.GOM.D6.2 1/4X1/8-AEA	ELBOW BRASS CONNECTOR D6.2 1/4X1/8	RACCORD COUDE LAITON D6.2 1/4X1/8	MESSING-ANSCHLUSS D6.2 1/4X1/8
13	52001428	TBS.D-6 L.50 2GR THE MISC AR/53	D-6 50 L PIPE 2GR TEA MIX AR/53	TUYAU D-6 L.50 2GR THE MISC AR/53	ROHR D-6 L.50 2GR THE MISC AR/53
14	20354	VALVOLA CHIUSURA AEA	PRESSURE RELEASE TAP BULK UNIT	CLAPET FERMETURE AUT.ARRIVEE EAU	ABSPERVENTIL X AUT.WASSERZUFUHR
15	10251001	FILTRO IN ACCIAIO D-8 SP.0,3	STEEL FILTER D-8 - 0.3 THICK	FILTRE EN ACIER D-8 EP.0,3	STAHLFILTER D-8 SP.0,3
16	12155	GUARNIZIONE CU 8.5X5X1	COPPER GASKET 8.5X5X1	JOINT CU 8.5X5X1	CU DICHTUNG 8.5X5X1
17	23217	RACCORDO GOMITO D10 3/8X1/8 CON AEA F 1.	FITTING D10 3/8X1/8 WITH AWI F 1.2	RACCORD GOMME D10 3/8X1/8 AEE F 1.2	FITTING D10 3/8X1/8 MIT A.W.F. 1.2
18	12312	GUARNIZIONE OR FILTRO AEA 10X2	O RING FOR WATER REFILL FILTER 10X2	JOINT OR FILTRE AUT.REM.EAU 10X2	OR DICHTUNG FUR WASSERFULLUNGFILTER
19	10254	FILTRO ACCIAIO 160-200 MESH	STEEL FILTER 160-200 MESH	FILTRE EN ACIER 160-200 MESH	STAHLFILTER 160-200 MESH
20	25705	RACCORDO FILTRO AEA	AUT.WATER REFILL FILTER CONNECTOR	RACCORD FILTRE REM.EAU.AUT.	FILTERFITTING AUT.WASSERFULLUNG
21	52001726	TUBO D-6 L.135 1GR SB/28	D-6 135 L PIPE 1GR SB/28	TUYAU D-6 L.135 1GR SB/28	ROHR D-6 L.135 1GR SB/28
22	52001725	TUBO D-8 L.135 1GR SB/27	D-8 135 L PIPE 1GR SB/27	TUYAU D-8 L.135 1GR SB/27	ROHR D-8 L.135 1GR SB/27
23	25651	RONDELLA OTTONE 3/8	BRASS WASHER 3/8	RONDELLE LAITON 3/8	MESSINGSCHIEBE 3/8
24	25356	CONTRODADO OTTONE 3/8	BRASS LOCK NUT 3/8	CONTRE-ECROU LAITON 3/8	MESSING-GEGENMUTTER 3/8
25	43067	RACCORDO "L" 3/8 GASX3/8 GAS L.30	3/8 GAS X 3/8 GAS L FITTING L.30	RACCORD L 3/8 GAZX3/8 GAZ L.30	ANSCHLUSS L 3/8 GAS X 3/8 GAS L. 30
26	52001717	TUBO D-6 L.180 1GR SB/19	D-6 180 L PIPE 1GR SB/19	TUYAU D-6 L.180 1GR SB/19	ROHR D-6 L.180 1GR SB/19
27	20361	VALVOLA S.C.N.R. REGOLABILE	ADJUSTABLE S.C.N.R. VALVE	SOUPAPE S.C.N.R. REGLABLE	EINSTELLBARES VENTIL S.N.C.R.
28	52000294	TBS.D-8 L.135 1GR DV 95 RUB.SCARICO > VA	D-8 135 L PIPE DV 95	TUYAU D-8 L.135 DV 9	ROHR D. 8 L.135 DV 9
29	12101	GUARNIZIONE CU/ALIM 3/8 22X17X3	3/8 22X17X3 FEEDER/COPPER SEAL	JOINT CUIVRE/ALIM 3/8 22X17X3	KUPFERDICHTUNG/SPEIS. 3/8 22X17X3
30	15478002	TUBO SILICONE 8X11 L.70CM	SILICONE TUBE 8X11 L.70CM	TUYAU SILICONE 8X11 L.70CM	SILIKONROHR 8X11 L.70CM
31	12155	GUARNIZIONE CU 8.5X5X1	COPPER GASKET 8.5X5X1	JOINT CU 8.5X5X1	CU DICHTUNG 8.5X5X1
32	23221001	PORTAGOMMA ES14 CR SCARICO GRUPPO	HOSE CONNECTION ES14 CR	PORTE-CAOTCHOU ES14 CR	GUMMIHALTER ES14 CR
33	10427007	MOLLA TUBETTO SCARICO STIRATA L.850	SPRING L.830	RESSORT L.830	FEDER L.830
34	15476002	TUBO SILICONE PLATINICO 3X7 KGXMT 0.04	SILICONE PIPE 3X7 KGX0.04M	TUBE SILICONE 3X7 KGXMT 0.04	SILIKONSCHLAUCH 3X7 KGXMT 0.04
35	23221002	PORTAGOMMA ES14 CR SCARICO BACINELLA	HOSE CONNECTION ES14 CR	PORTE-CAOUTCHOU ES14 CR	GUMMIHALTER ES14 CR
36	23055001	DADO ROMPIGETTO ES 14X27 OT/CR	DIFFUSER NUT ES 14X27	ECROU BRISE-JET ES 14X27	MUTTER ES 14X27
37	25686	RACCORDO 1/4X1/4 FLANGIA	CONNECTOR 1/4 X 1/4 FLANGE	RACCORD 1/4 X 1/4 BRIDE	ANSCHLUSS 1/4X1/4 FLANSCH
38	12153	GUARNIZIONE CU 1/4 17X13.3X1.5	1/4 17X13.3X1.5 COPPER SEAL	JOINT CUIVRE 1/4 17X13.3X1.5	KUPFERDICHTUNG 1/4 17X13.3X1.5
39	18126	DOSATORE FLOWMETER FH 12 909602	FH 12 907613 FLOWMETER DOSER	DOSEUR FLOWMETER FH 12 907613	DOSIERER FLOWMETER FH 12 907613
40	25708	RACCORDO 1/4X1/4	1/4X1/4 FITTING	RACCORD 1/4X1/4	ANSCHLUSS 1/4X1/4
41	15502	VASCHETTA SCARICO ROTONDA D 80	ROUND DRAIN BASIN D.80MM	CUVE A VIDANGER RONDE D.80MM	RUNDE ABFLUSSCHALE D.80MM



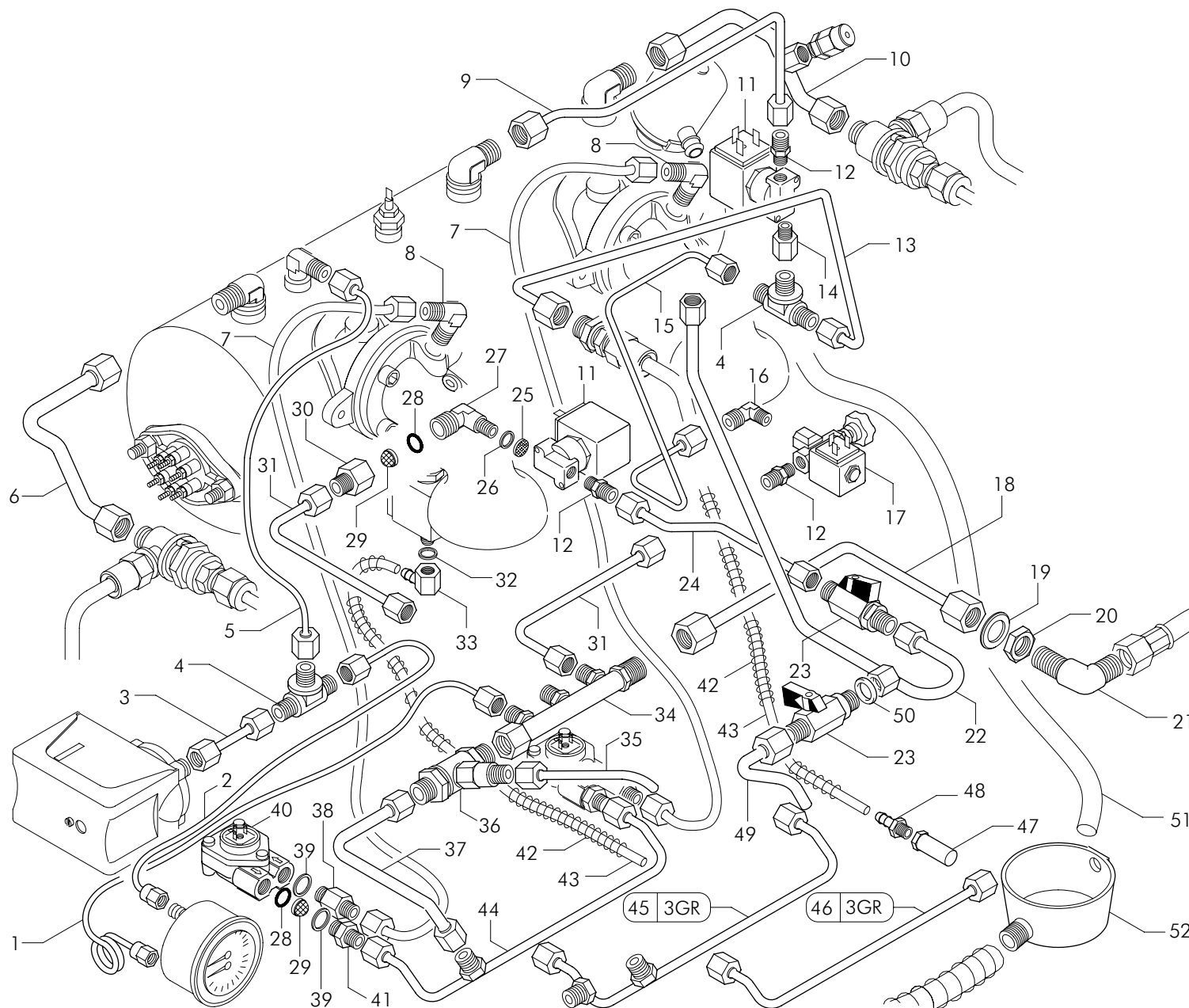
Pos.	Cod.	Denominazione - IT -	Denomination - GB -	Denomination - FR -	Denomination - DE -
1	52000110	TBS.D-4 L.730 1-4GR A 44	TUBE D-4 L.730 1-4 GR A 44	TUYAU D-4 L.730 1-4GR A 44	ROHR D-4 L.730 1-4GR A 44
2	52001437	TBS.D-4 L.435 1GR CTS AR 60	D-4 435 L PIPE 1GR CTS AR 60	TUYAU D-4 L.435 1GR CTS AR 60	ROHR D-4 L.435 1GR CTS AR 60
3	52000202	TBS.D-6 L.65 DV 3	D-6 65 L PIPE DV 3	TUYAU D-6 L.65 DV	ROHR D. 6 L.65 DV
4	43060001	RACCORDO 1/4X1/4CONX1/4 T	1/4 X 1/4 CON X 1/4 T FITTING	RACCORD 1/4X1/4CON.X1/4 T	ANSCHLUSS 1/4X1/4CONX1/4 T
5	52000282	TBS.D-4 L.450 JUN P.VIB. DV 83 CALDAIA >	D-4 450 L PIPE DV 83	TUYAU D-4 L.450 DV 8	ROHR D. 4 L.450 DV 8
6	52001721	TUBO D-8 L.150 1GR SB/23	D-8 150 L PIPE 1GR SB/23	TUYAU D-8 L.150 1GR SB/23	ROHR D-8 L.150 1GR SB/23
7	52001730	TBS.D-6 L.985 SB/VE SAE/1 SB/32	D-6 985 L PIPE 1GR SB/32	TUYAU D-6 L.985 1GR SB/32	ROHR D-6 L.985 1GR SB/32
8	23203	RACCORDO OTT.GOM.D6.2 1/4X1/4 CON	ELBOW BRASS CONNECTOR D6.2 1/4X1/4	RACCORD COUDE LAITON D6.2 1/4X1/4	MESSING-ANSCHLUSS D6.2 1/4X1/4
9	52001737	TUBO D-8 L.120 1GR SB22/A	D-8 120 L PIPE 1GR SB/22	TUYAU D-8 L.120 1GR SB/22	ROHR D-8 L.120 1GR SB/22
10	52001724	TUBO D-8 L.475 1GR SB/26	D-8 475 L PIPE 1GR SB/26	TUYAU D-8 L.475 1GR SB/26	ROHR D-8 L.475 1GR SB/26
11	18162	ELETTROVALVOLA 230V AEA VE140.2IR-C UL P	SOL.VALVE WATER REFILL 230V PARKER	ELECTROVANNE REA 230V PARKER	ELEKTROVENTIL AWZ 230V PARKER
11	18195	ELETTROVALVOLA 120V VE140.2IR VDE/UL PAR	SOLENOID VALVE SCEM 2/2 110V 60HZ	ELECTROVANNE SCEM 2/2 110V 60HZ	MAGNETVENTIL SCEM 2/2 110V 60HZ
12	23201	RACCORDO OTT.GOM.D6.2 1/4X1/8-AEA	ELBOW BRASS CONNECTOR D6.2 1/4X1/8	RACCORD COUDE LAITON D6.2 1/4X1/8	MESSING-ANSCHLUSS D6.2 1/4X1/8
13	52001428	TBS.D-6 L.50 2GR THE MISC AR/53	D-6 50 L PIPE 2GR TEA MIX AR/53	TUYAU D-6 L.50 2GR THE MISC AR/53	ROHR D-6 L.50 2GR THE MISC AR/53
14	20354	VALVOLA CHIUSURA AEA	PRESSURE RELEASE TAP BULK UNIT	CLAPET FERMETURE AUT.ARRIVEE EAU	ABSPERRVENTIL X AUT.WASSERZUFUHR
15	10251001	FILTRO IN ACCIAIO D-8 SP.0,3	STEEL FILTER D-8 - 0.3 THICK	FILTRE EN ACIER D-8 EP.0,3	STAHLFILTER D-8 SP.0,3
16	12155	GUARNIZIONE CU 8.5X5X1	COPPER GASKET 8.5X5X1	JOINT CU 8.5X5X1	CU DICHTUNG 8.5X5X1
17	23217	RACCORDO GOMITO D10 3/8X1/8 CON AEA F 1.	FITTING D10 3/8X1/8 WITH AWI F 1.2	RACCORD GOMME D10 3/8X1/8 AEE F 1.2	FITTING D10 3/8X1/8 MIT A.W.F. 1.2
18	12312	GUARNIZIONE OR FILTRO AEA 10X2	O RING FOR WATER REFILL FILTER 10X2	JOINT OR FILTRE AUT.REM.EAU 10X2	OR DICHTUNG FUR WASSERFULLUNGFILTER
19	10254	FILTRO ACCIAIO 160-200 MESH	STEEL FILTER 160-200 MESH	FILTRE EN ACIER 160-200 MESH	STAHLFILTER 160-200 MESH
20	25705	RACCORDO FILTRO AEA	AUT.WATER REFILL FILTER CONNECTOR	RACCORD FILTRE REM.EAU.AUT.	FILTERFITTING AUT.WASSERFULLUNG
21	52001726	TUBO D-6 L.135 1GR SB/28	D-6 135 L PIPE 1GR SB/28	TUYAU D-6 L.135 1GR SB/28	ROHR D-6 L.135 1GR SB/28
22	52001725	TUBO D-8 L.135 1GR SB/27	D-8 135 L PIPE 1GR SB/27	TUYAU D-8 L.135 1GR SB/27	ROHR D-8 L.135 1GR SB/27
23	25651	RONDELLA OTTONE 3/8	BRASS WASHER 3/8	RONDELLE LAITON 3/8	MESSINGSCHLEIBE 3/8
24	25356	CONTRODADO OTTONE 3/8	BRASS LOCK NUT 3/8	CONTRE-ECROU LAITON 3/8	MESSING-GEGENMUTTER 3/8
25	43067	RACCORDO "L" 3/8 GASX3/8 GAS L.30	3/8 GAS X 3/8 GAS L FITTING L.30	RACCORD L 3/8 GAZX3/8 GAZ L.30	ANSCHLUSS L 3/8 GAS X 3/8 GAS L. 30
26	52001717	TUBO D-6 L.180 1GR SB/19	D-6 180 L PIPE 1GR SB/19	TUYAU D-6 L.180 1GR SB/19	ROHR D-6 L.180 1GR SB/19
27	20361	VALVOLA S.C.N.R. REGOLABILE	ADJUSTABLE S.C.N.R. VALVE	SOUPAPE S.C.N.R. REGLABLE	EINSTELLBARES VENTIL S.N.C.R.
28	52000294	TBS.D-8 L.135 1GR DV 95 RUB.SCARICO > VA	D-8 135 L PIPE DV 95	TUYAU D-8 L.135 DV 9	ROHR D. 8 L.135 DV 9
29	12101	GUARNIZIONE CU/ALIM 3/8 22X17X3	3/8 22X17X3 FEEDER/COPPER SEAL	JOINT CUIVRE/ALIM 3/8 22X17X3	KUPFERDICHTUNG/SPEIS. 3/8 22X17X3
30	15478002	TUBO SILICONE 8X11 L.70CM	SILICONE TUBE 8X11 L.70CM	TUYAU SILICONE 8X11 L.70CM	SILIKONROHR 8X11 L.70CM
31	12155	GUARNIZIONE CU 8.5X5X1	COPPER GASKET 8.5X5X1	JOINT CU 8.5X5X1	CU DICHTUNG 8.5X5X1
32	23221001	PORTAGOMMA ES14 CR SCARICO GRUPPO	HOSE CONNECTION ES14 CR	PORTE-CAOTCHOU ES14 CR	GUMMIHALTER ES14 CR
33	10427007	MOLLA TUBETTO SCARICO STIRATA L.850	SPRING L.830	RESSORT L.830	FEDER L.830
34	15476002	TUBO SILICONE PLATINICO 3X7 KGXMT 0.04	SILICONE PIPE 3X7 KGX0.04M	TUBE SILICONE 3X7 KGXMT 0.04	SILIKONSCHLAUCH 3X7 KGXMT 0.04
35	23221002	PORTAGOMMA ES14 CR SCARICO BACINELLA	HOSE CONNECTION ES14 CR	PORTE-CAOUTCHOU ES14 CR	GUMMIHALTER ES14 CR
36	23055001	DADO ROMPIGETTO ES 14X27 OT/CR	DIFFUSER NUT ES 14X27	ECROU BRISE-JET ES 14X27	MUTTER ES 14X27
37	25686	RACCORDO 1/4X1/4 FLANGIA	CONNECTOR 1/4 X 1/4 FLANGE	RACCORD 1/4 X 1/4 BRIDE	ANSCHLUSS 1/4X1/4 FLANSCH
38	12153	GUARNIZIONE CU 1/4 17X13.3X1.5	1/4 17X13.3X1.5 COPPER SEAL	JOINT CUIVRE 1/4 17X13.3X1.5	KUPFERDICHTUNG 1/4 17X13.3X1.5
39	18126	DOSATORE FLOWMETER FH 12 909602	FH 12 907613 FLOWMETER DOSER	DOSEUR FLOWMETER FH 12 907613	DOSIERER FLOWMETER FH 12 907613
40	25708	RACCORDO 1/4X1/4	1/4X1/4 FITTING	RACCORD 1/4X1/4	ANSCHLUSS 1/4X1/4
41	15502	VASCETTA SCARICO ROTONDA D 80	ROUND DRAIN BASIN D.80MM	CUVE A VIDANGER RONDE D.80MM	RUNDE ABFLUSSCHALE D.80MM



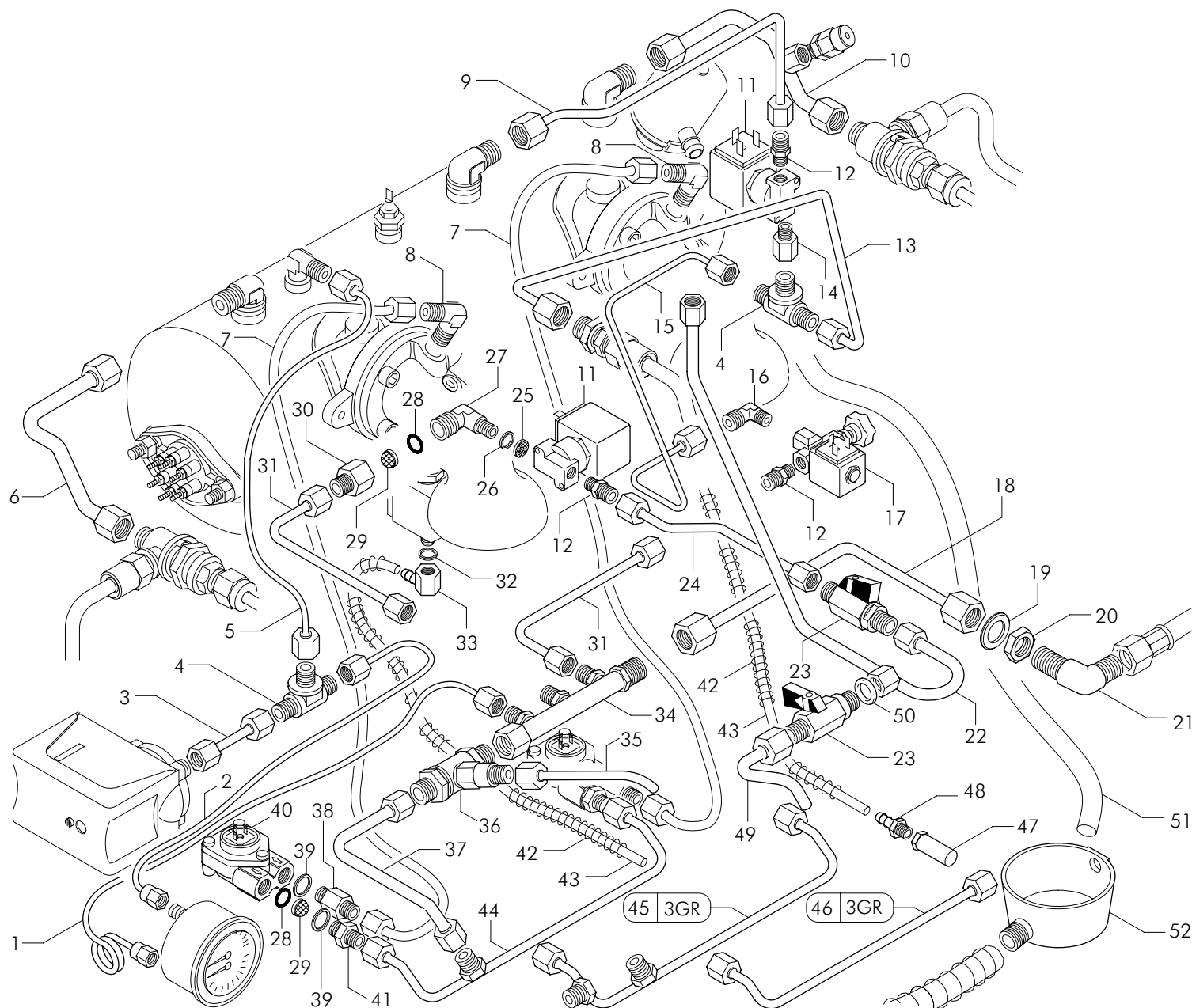
Pos.	Cod.	Denominazione - IT -	Denomination - GB -	Denomination - FR -	Denomination - DE -
1	52000110	TBS.D-4 L.730 1-4GR A 44	TUBE D-4 L.730 1-4 GR A 44	TUYAU D-4 L.730 1-4GR A 44	ROHR D-4 L.730 1-4GR A 44
1	52002770	TBS.D-4 L.900 2GR W 57POMPA > MANOMETRO	TUBE D-4 L.900	TUYAU D-4 L.900	ROHR D-4 L.900
2	52001437	TBS.D-4 L.435 1GR CTS AR 60	D-4 435 L PIPE 1GR CTS AR 60	TUYAU D-4 L.435 1GR CTS AR 60	ROHR D-4 L.435 1GR CTS AR 60
3	52000202	TBS.D-6 L.65 DV 3	D-6 65 L PIPE DV 3	TUYAU D-6 L.65 DV	ROHR D. 6 L.65 DV
4	43060001	RACCORDO 1/4X1/4CONX1/4 T	1/4 X 1/4 CON X 1/4 T FITTING	RACCORD 1/4XX1/4CON.X1/4 T	ANSCHLUSS 1/4X1/4CONX1/4 T
5	52001712	TUBO D-4 L.580 2GR SB/14	TUBE D-4 L.580 2GR SB/14	TUYAU D-4 L.580 2GR SB/14	ROHR D-4 L.580 2GR SB/14
6	52001704	TUBO D-10 L.155 2GR SB/5	D-10 155 L PIPE 2GR SB/5	TUYAU D-10 L.155 2GR SB/5	ROHR D-10 L.155 2GR SB/5
7	52001734	TBS.D-6 L.860 SB/VE SAE/2-3 SB/36	D-6 860 L PIPE 2-3GR SB/36	TUYAU D-6 L.860 2-3GR SB/36	ROHR D-6 L.860 2-3GR SB/36
8	23203	RACCORDO OTT.GOM.D6.2 1/4X1/4 CON	ELBOW BRASS CONNECTOR D6.2 1/4X1/4	RACCORD COUDE LAITON D6.2 1/4X1/4	MESSING-ANSCHLUSS D6.2 1/4X1/4
9	52001710	TUBO D-6 L.300 2GR SB/11	D-6 300 L PIPE 2GR SB/11	TUYAU D-6 L.300 2GR SB/11	ROHR D-6 L.300 2GR SB/11
10	52001703	TUBO D-10 L.160 2GR SB/4	D-10 160 L PIPE 2GR SB/4	TUYAU D-10 L.160 2GR SB/4	ROHR D-10 L.160 2GR SB/4
11	18162	ELETTROVALVOLA 230V AEA VE140.2IR-C UL P	SOL.VALVE WATER REFILL 230V PARKER	ELECTROVANNE REA 230V PARKER	ELEKTROVENTIL AWZ 230V PARKER
11	18195	ELETTROVALVOLA 120V VE140.2IR VDE/UL PAR	SOLENOID VALVE SCEM 2/2 110V 60HZ	ELECTROVANNE SCEM 2/2 110V 60HZ	MAGNETVENTIL SCEM 2/2 110V 60HZ
12	25707	RACCORDO 1/8X1/4	CONNECTOR 1/8X1/4	RACCORD 1/8X1/4	ANSCHLUSS 1/8X1/4
13	52001702	TUBO D-6 L.405 2GR SB/3	D-6 405 L PIPE 2GR SB/3	TUYAU D-6 L.405 2GR SB/3	ROHR D-6 L.405 2GR SB/3
14	25743	RIDUZIONE 1/4FX1/8M V.A.R.	REDUCTION 1/4FX1/8M V.A.R.	REDUCTION 1/4FX1/8M V.A.R.	REDUKTION 1/4FX1/8M V.A.R.
15	52001711	TUBO D-4 L.545 2GR SB/12	D-4 545 L PIPE 2GR SB/12	TUYAU D-4 L.545 2GR SB/12	ROHR D-4 L.545 2GR SB/12
16	23201	RACCORDO OTT.GOM.D6.2 1/4X1/8-AEA	ELBOW BRASS CONNECTOR D6.2 1/4X1/8	RACCORD COUDE LAITON D6.2 1/4X1/8	MESSING-ANSCHLUSS D6.2 1/4X1/8
17	18161986	ELETTROVALV.AEA REGOLAZ.PORTATA 120V 60H	AEA CAPACITY ADJUSTMENT SOLEN.VALVE 120V	ELECTROVAN. AEA REGLAGE DEBIT 120V 60HZ	ELEKTROVENTIL AEA DURCHFLOSSLEIST.120V 6
17	18161988	ELETTROVALV.AEA REGOLAZ.PORTATA 230V 50H	AEA CAPACITY ADJUSTMENT SOLENOID VALVE 2	ELECTROVAN.AEA REGLAGE DEBIT 230V 50HZ	ELEKTROVENTIL AEA DURCHFLOSSLEIST.230V 5
18	52001728	TUBO D-8 L.170 2-3GR SB/30	D-8 170 L PIPE 2-3GR SB/30	TUYAU D-8 L.170 2-3GR SB/30	ROHR D-8 L.170 2-3GR SB/30
19	25651	RONDELLA OTTONE 3/8	BRASS WASHER 3/8	RONDELLE LAITON 3/8	MESSINGSCHLEIBE 3/8
20	25356	CONTRODADO OTTONE 3/8	BRASS LOCK NUT 3/8	CONTRE-ECROU LAITON 3/8	MESSING-GEGENMUTTER 3/8
21	43067	RACCORDO "L" 3/8 GASX3/8 GAS L.30	3/8 GAS X 3/8 GAS L FITTING L.30	RACCORD L 3/8 GAZX3/8 GAZ L.30	ANSCHLUSS L 3/8 GAS X 3/8 GAS L. 30
22	52001727	TUBO D-8 L.390 2-3GR SB/29	D-8 390 L PIPE 2-3GR SB/29	TUYAU D-8 L.390 2-3GR SB/29	ROHR D-8 L.390 2-3GR SB/29
23	20354	VALVOLA CHIUSURA AEA	PRESSURE RELEASE TAP BULK UNIT	CLAPET FERMETURE AUT.ARRIVEE EAU	ABSPERRVENTIL X AUT.WASSERZUFUHR
24	52001667	TBS.D-6 L.80 1GR DE 59	D-6 80 L PIPE 1GR DE 59	TUYAU D-6 L.80 1GR DE 59	ROHR D-6 L.80 1GR DE 59
25	10251001	FILTRO IN ACCIAIO D-8 SP.0,3	STEEL FILTER D-8 - 0.3 THICK	FILTRE EN ACIER D-8 EP.0,3	STAHLFILTER D-8 SP.0,3
26	12155	GUARNIZIONE CU 8.5X5X1	COPPER GASKET 8.5X5X1	JOINT CU 8.5X5X1	CU DICHTUNG 8.5X5X1
27	23206	RACCORDO GOM.D10 3/8X1/8CON F3 24001018	ELBOW BRASS CONNECTOR D10 3/8X1/8	RACCORD COUDE LAITON D10 3/8X1/8	MESSING FITTING D10 3/8X1/8
28	12320	GUARNIZIONE OR 112 DI9.93X2.62 NBR SH 75	O RING 112 DI9.93X2.62 NBR SH 75	JOINT OR 112 DI9.93X2.62 NBR SH 75	OR DICHTUNG 112 DI9.93X6.62 NBR 75
29	10254	FILTRO ACCIAIO 160-200 MESH	STEEL FILTER 160-200 MESH	FILTRE EN ACIER 160-200 MESH	STAHLFILTER 160-200 MESH
30	25705	RACCORDO FILTRO AEA	AUT.WATER REFILL FILTER CONNECTOR	RACCORD FILTRE REM.EAU.AUT.	FILTERFITTING AUT.WASSERFULLUNG
31	52001709	TUBO D-6 L.190 2GR SB/10	D-6 190 L PIPE 2GR SB/10	TUYAU D-6 L.190 2GR SB/10	ROHR D-6 L.190 2GR SB/10
32	12155	GUARNIZIONE CU 8.5X5X1	COPPER GASKET 8.5X5X1	JOINT CU 8.5X5X1	CU DICHTUNG 8.5X5X1
33	23221001	PORTAGOMMA ES14 CR SCARICO GRUPPO	HOSE CONNECTION ES14 CR	PORTE-CAOTCHOU ES14 CR	GUMMIHALTER ES14 CR
34	56136004	ASSIEME BLOCCO DISTRIBUZ.2-3-4GR	DISTRIBUTION BLOCK 2-3-4GR	BLOC DISTRIBUTION 2-3-4GR	BLOCK VERTEILER 2-3-4GR
35	52001706	TUBO D-6 L.120 2GR SB/7	D-6 120 L PIPE 2GR SB/7	TUYAU D-6 L.120 2GR SB/7	ROHR D-6 L.120 2GR SB/7



Pos.	Cod.	Denominazione - IT -	Denomination - GB -	Denomination - FR -	Denomination - DE -
36	20361	VALVOLA S.C.N.R. REGOLABILE	ADJUSTABLE S.C.N.R. VALVE	SOUPAPE S.C.N.R. REGLABLE	EINSTELLBARES VENTIL S.N.C.R.
37	52001705	TUBO D-8 L.215 2GR SB/6	D-8 215 L PIPE 2GR SB/6	TUYAU D-8 L.215 2GR SB/6	ROHR D-8 L.215 2GR SB/6
38	25708	RACCORDO 1/4X1/4	1/4X1/4 FITTING	RACCORD 1/4X1/4	ANSCHLUSS 1/4X1/4
39	12153	GUARNIZIONE CU 1/4 17X13.3X1.5	1/4 17X13.3X1.5 COPPER SEAL	JOINT CUIVRE 1/4 17X13.3X1.5	KUPFERDICHTUNG 1/4 17X13.3X1.5
40	18126	DOSATORE FLOWMETER FH 12 909602	FH 12 907613 FLOWMETER DOSER	DOSEUR FLOWMETER FH 12 907613	DOSIERER FLOWMETER FH 12 907613
41	25686	RACCORDO 1/4X1/4 FLANGIA	CONNECTOR 1/4 X 1/4 FLANGE	RACCORD 1/4 X 1/4 BRIDE	ANSCHLUSS 1/4X1/4 FLANSCH
42	10427007	MOLLA TUBETTO SCARICO STIRATA L.850	SPRING L.830	RESSORT L.830	FEDER L.830
43	15476002	TUBO SILICONE PLATINICO 3X7 KGXMT 0.04	SILICONE PIPE 3X7 KGX0.04M	TUBE SILICONE 3X7 KGXMT 0.04	SILIKONSCHLAUCH 3X7 KGXMT 0.04
44	52001701	TUBO D-6 L.390 2GR SB/2	D-6 390 L PIPE 2GR SB/2	TUYAU D-6 L.390 2GR SB/2	ROHR D-6 L.390 2GR SB/2
45	52001713	TUBO D-6 L.390 3GR SB/15	D-6 390 L PIPE 3GR SB/15	TUYAU D-6 L.390 3GR SB/15	ROHR D-6 L.390 3GR SB/15
46	52001714	TUBO D-6 L.275 3GR SB/16	D-6 275 L PIPE 3GR SB/16	TUYAU D-6 L.275 3GR SB/16	ROHR D-6 L.275 3GR SB/16
47	23055001	DADO ROMPIGETTO ES 14X27 OT/CR	DIFFUSER NUT ES 14X27	ECROU BRISE-JET ES 14X27	MUTTER ES 14X27
48	23221002	PORTAGOMMA ES14 CR SCARICO BACINELLA	HOSE CONNECTION ES14 CR	PORTE-CAOUTCHOUC ES14 CR	GUMMIHALTER ES14 CR
49	52000267	TBS.D-8 L.100 DV 68 RUBINETTO DI SCARICO	D-8 100 L PIPE DV 68	TUYAU D-8 L.100 DV 6	ROHR D. 8 L.100 DV 6
50	12101	GUARNIZIONE CU/ALIM 3/8 22X17X3	3/8 22X17X3 FEEDER/COPPER SEAL	JOINT CUIVRE/ALIM 3/8 22X17X3	KUPFERDICHTUNG/SPEIS. 3/8 22X17X3
51	15478002	TUBO SILICONE 8X11 L.70CM	SILICONE TUBE 8X11 L.70CM	TUYAU SILICONE 8X11 L.70CM	SILIKONROHR 8X11 L.70CM
52	15502	VASCHETTA SCARICO ROTONDA D 80	ROUND DRAIN BASIN D.80MM	CUVE A VIDANGER RONDE D.80MM	RUNDE ABFLUSSCHALE D.80MM



Pos.	Cod.	Denominazione - IT -	Denomination - GB -	Denomination - FR -	Denomination - DE -
1	52000110	TBS.D-4 L.730 1-4GR A 44	TUBE D-4 L.730 1-4 GR A 44	TUYAU D-4 L.730 1-4GR A 44	ROHR D-4 L.730 1-4GR A 44
1	52002771	TBS.D-4 L.1140 3GR W 58POMPA > MANOMETRO	TUBE D-4 L.1140 3GR W58	TUYAU D-4 L.1140 3GR W58	ROHR D-4 L.1140 3GR W58
2	52001437	TBS.D-4 L.435 1GR CTS AR 60	D-4 435 L PIPE 1GR CTS AR 60	TUYAU D-4 L.435 1GR CTS AR 60	ROHR D-4 L.435 1GR CTS AR 60
3	52000202	TBS.D-6 L.65 DV 3	D-6 65 L PIPE DV 3	TUYAU D-6 L.65 DV	ROHR D. 6 L.65 DV
4	43060001	RACCORDO 1/4X1/4CONX1/4 T	1/4 X 1/4 CON X 1/4 T FITTING	RACCORD 1/4X1/4CON.X1/4 T	ANSCHLUSS 1/4X1/4CONX1/4 T
5	52001741	TUBO D-6 L.635 2GR	TUBE D-6 L.635 2GR	TUYAU D-6 L.635 2GR	ROHR D-6 L.635 2GR
5	52001742	TUBO D-6 L.660 3GR	TUBE D-6 L.660 3GR	TUYAU D-6 L.660 3GR	ROHR D-6 L.660 3GR
6	52001736	TUBO D-10 L.155 2GR SB5/A	D-10 155 L PIPE 2GR SB5/A	TUYAU D-10 L.155 2GR SB5/A	ROHR D-10 L.155 2GR SB5/A
7	52001734	TBS.D-6 L.860 SB/VE SAE/2-3 SB/36	D-6 860 L PIPE 2-3GR SB/36	TUYAU D-6 L.860 2-3GR SB/36	ROHR D-6 L.860 2-3GR SB/36
8	23203	RACCORDO OTT.GOM.D6.2 1/4X1/4 CON	ELBOW BRASS CONNECTOR D6.2 1/4X1/4	RACCORD COUDE LAITON D6.2 1/4X1/4	MESSING-ANSCHLUSS D6.2 1/4X1/4
9	52001710	TUBO D-6 L.300 2GR SB/11	D-6 300 L PIPE 2GR SB/11	TUYAU D-6 L.300 2GR SB/11	ROHR D-6 L.300 2GR SB/11
10	52001735	TUBO D-10 L.160 2GR SB4/A	D-10 160 L PIPE 2GR SB4/A	TUYAU D-10 L.160 2GR SB4/A	ROHR D-10 L.160 2GR SB4/A
11	18162	ELETTROVALVOLA 230V AEA VE140.2IR-C UL P	SOL.VALVE WATER REFILL 230V PARKER	ELECTROVANNE REA 230V PARKER	ELEKTROVENTIL AWZ 230V PARKER
11	18195	ELETTROVALVOLA 120V VE140.2IR VDE/UL PAR	SOLENOID VALVE SCEM 2/2 110V 60HZ	ELECTROVANNE SCEM 2/2 110V 60HZ	MAGNETVENTIL SCEM 2/2 110V 60HZ
12	25707	RACCORDO 1/8X1/4	CONNECTOR 1/8X1/4	RACCORD 1/8X1/4	ANSCHLUSS 1/8X1/4
13	52001702	TUBO D-6 L.405 2GR SB/3	D-6 405 L PIPE 2GR SB/3	TUYAU D-6 L.405 2GR SB/3	ROHR D-6 L.405 2GR SB/3
14	25743	RIDUZIONE 1/4FX1/8M V.A.R.	REDUCTION 1/4FX1/8M V.A.R.	REDUCTION 1/4FX1/8M V.A.R.	REDUKTION 1/4FX1/8M V.A.R.
15	52001711	TUBO D-4 L.545 2GR SB/12	D-4 545 L PIPE 2GR SB/12	TUYAU D-4 L.545 2GR SB/12	ROHR D-4 L.545 2GR SB/12
16	23201	RACCORDO OTT.GOM.D6.2 1/4X1/8-AEA	ELBOW BRASS CONNECTOR D6.2 1/4X1/8	RACCORD COUDE LAITON D6.2 1/4X1/8	MESSING-ANSCHLUSS D6.2 1/4X1/8
17	18161986	ELETTROVALV.AEA REGOLAZ.PORTATA 120V 60H	AEA CAPACITY ADJUSTMENT SOLEN.VALVE 120V	ELECTROVAN. AEA REGLAGE DEBIT 120V 60HZ	ELEKTROVENTIL AEA DURCHFLOSSLEIST.120V 6
17	18161988	ELETTROVALV.AEA REGOLAZ.PORTATA 230V 50H	AEA CAPACITY ADJUSTMENT SOLENOID VALVE 2	ELECTROVAN.AEA REGLAGE DEBIT 230V 50HZ	ELEKTROVENTIL AEA DURCHFLOSSLEIST.230V 5
18	52001728	TUBO D-8 L.170 2-3GR SB/30	D-8 170 L PIPE 2-3GR SB/30	TUYAU D-8 L.170 2-3GR SB/30	ROHR D-8 L.170 2-3GR SB/30
19	25651	RONDELLA OTTONE 3/8	BRASS WASHER 3/8	RONDELLE LAITON 3/8	MESSINGSCHLEIBE 3/8
20	25356	CONTRODADO OTTONE 3/8	BRASS LOCK NUT 3/8	CONTRE-ECROU LAITON 3/8	MESSING-GEGENMUTTER 3/8
21	43067	RACCORDO "L" 3/8 GASX3/8 GAS L.30	3/8 GAS X 3/8 GAS L FITTING L.30	RACCORD L 3/8 GAZX3/8 GAZ L.30	ANSCHLUSS L 3/8 GAS X 3/8 GAS L. 30
22	52001727	TUBO D-8 L.390 2-3GR SB/29	D-8 390 L PIPE 2-3GR SB/29	TUYAU D-8 L.390 2-3GR SB/29	ROHR D-8 L.390 2-3GR SB/29
23	20354	VALVOLA CHIUSURA AEA	PRESSURE RELEASE TAP BULK UNIT	CLAPET FERMETURE AUT.ARRIVEE EAU	ABSPERRVENTIL X AUT.WASSERZUFUHR
24	52001667	TBS.D-6 L.80 1GR DE 59	D-6 80 L PIPE 1GR DE 59	TUYAU D-6 L.80 1GR DE 59	ROHR D-6 L.80 1GR DE 59
25	10251001	FILTRO IN ACCIAIO D-8 SP.0,3	STEEL FILTER D-8 - 0.3 THICK	FILTRE EN ACIER D-8 EP.0,3	STAHLFILTER D-8 SP.0,3
26	12155	GUARNIZIONE CU 8.5X5X1	COPPER GASKET 8.5X5X1	JOINT CU 8.5X5X1	CU DICHTUNG 8.5X5X1
27	23206	RACCORDO GOM.D10 3/8X1/8CON F3 24001018	ELBOW BRASS CONNECTOR D10 3/8X1/8	RACCORD COUDE LAITON D10 3/8X1/8	MESSING FITTING D10 3/8X1/8
28	12320	GUARNIZIONE OR 112 DI9.93X2.62 NBR SH 75	O RING 112 DI9.93X2.62 NBR SH 75	JOINT OR 112 DI9.93X2.62 NBR SH 75	OR DICHTUNG 112 DI9.93X6.62 NBR 75
29	10254	FILTRO ACCIAIO 160-200 MESH	STEEL FILTER 160-200 MESH	FILTRE EN ACIER 160-200 MESH	STAHLFILTER 160-200 MESH
30	25705	RACCORDO FILTRO AEA	AUT.WATER REFILL FILTER CONNECTOR	RACCORD FILTRE REM.EAU.AUT.	FILTERFITTING AUT.WASSERFULLUNG
31	52001709	TUBO D-6 L.190 2GR SB/10	D-6 190 L PIPE 2GR SB/10	TUYAU D-6 L.190 2GR SB/10	ROHR D-6 L.190 2GR SB/10
32	12155	GUARNIZIONE CU 8.5X5X1	COPPER GASKET 8.5X5X1	JOINT CU 8.5X5X1	CU DICHTUNG 8.5X5X1
33	23221001	PORTAGOMMA ES14 CR SCARICO GRUPPO	HOSE CONNECTION ES14 CR	PORTE-CAOTCHOU ES14 CR	GUMMIHALTER ES14 CR
34	56136004	ASSIEME BLOCCO DISTRIBUZ.2-3-4GR	DISTRIBUTION BLOCK 2-3-4GR	BLOC DISTRIBUTION 2-3-4GR	BLOCK VERTEILER 2-3-4GR



Pos.	Cod.	Denominazione - IT -	Denomination - GB -	Denomination - FR -	Denomination - DE -
35	52001706	TUBO D-6 L.120 2GR SB/7	D-6 120 L PIPE 2GR SB/7	TUYAU D-6 L.120 2GR SB/7	ROHR D-6 L.120 2GR SB/7
36	20361	VALVOLA S.C.N.R. REGOLABILE	ADJUSTABLE S.C.N.R. VALVE	SOUPAPE S.C.N.R. REGLABLE	EINSTELLBARES VENTIL S.N.C.R.
37	52001705	TUBO D-8 L.215 2GR SB/6	D-8 215 L PIPE 2GR SB/6	TUYAU D-8 L.215 2GR SB/6	ROHR D-8 L.215 2GR SB/6
38	25708	RACCORDO 1/4X1/4	1/4X1/4 FITTING	RACCORD 1/4X1/4	ANSCHLUSS 1/4X1/4
39	12153	GUARNIZIONE CU 1/4 17X13.3X1.5	1/4 17X13.3X1.5 COPPER SEAL	JOINT CUIVRE 1/4 17X13.3X1.5	KUPFERDICHTUNG 1/4 17X13.3X1.5
40	18126	DOSATORE FLOWMETER FH 12 909602	FH 12 907613 FLOWMETER DOSER	DOSEUR FLOWMETER FH 12 907613	DOSIERER FLOWMETER FH 12 907613
41	25686	RACCORDO 1/4X1/4 FLANGIA	CONNECTOR 1/4 X 1/4 FLANGE	RACCORD 1/4 X 1/4 BRIDE	ANSCHLUSS 1/4X1/4 FLANSCH
42	10427007	MOLLA TUBETTO SCARICO STIRATA L.850	SPRING L.830	RESSORT L.830	FEDER L.830
43	15476002	TUBO SILICONE PLATINICO 3X7 KGXMT 0.04	SILICONE PIPE 3X7 KGX0.04M	TUBE SILICONE 3X7 KGXMT 0.04	SILIKONSCHLAUCH 3X7 KGXMT 0.04
44	52001701	TUBO D-6 L.390 2GR SB/2	D-6 390 L PIPE 2GR SB/2	TUYAU D-6 L.390 2GR SB/2	ROHR D-6 L.390 2GR SB/2
45	52001713	TUBO D-6 L.390 3GR SB/15	D-6 390 L PIPE 3GR SB/15	TUYAU D-6 L.390 3GR SB/15	ROHR D-6 L.390 3GR SB/15
46	52001714	TUBO D-6 L.275 3GR SB/16	D-6 275 L PIPE 3GR SB/16	TUYAU D-6 L.275 3GR SB/16	ROHR D-6 L.275 3GR SB/16
47	23055001	DADO ROMPIGETTO ES 14X27 OT/CR	DIFFUSER NUT ES 14X27	ECROU BRISE-JET ES 14X27	MUTTER ES 14X27
48	23221002	PORTAGOMMA ES14 CR SCARICO BACINELLA	HOSE CONNECTION ES14 CR	PORTE-CAOUTCHOUC ES14 CR	GUMMIHALTER ES14 CR
49	52000267	TBS.D-8 L.100 DV 68 RUBINETTO DI SCARICO	D-8 100 L PIPE DV 68	TUYAU D-8 L.100 DV 6	ROHR D. 8 L.100 DV 6
50	12101	GUARNIZIONE CU/ALIM 3/8 22X17X3	3/8 22X17X3 FEEDER/COPPER SEAL	JOINT CUIVRE/ALIM 3/8 22X17X3	KUPFERDICHTUNG/SPEIS. 3/8 22X17X3
51	15478002	TUBO SILICONE 8X11 L.70CM	SILICONE TUBE 8X11 L.70CM	TUYAU SILICONE 8X11 L.70CM	SILIKONROHR 8X11 L.70CM
52	15502	VASCETTA SCARICO ROTONDA D 80	ROUND DRAIN BASIN D.80MM	CUVE A VIDANGER RONDE D.80MM	RUNDE ABFLUSSCHALE D.80MM

INDICE - INDEX - SOMMAIRE - VERZEICHNIS

MOT

rev.

MOT-01

Motopompa - Motor pump
Motopompe - Motor pump

STANDARD

01
03/2007

MOT-02

Motopompa - Motor pump
Motopompe - Motor pump

COMPATTA - ECO

01
03/2007

MOT-03

Motopompa - Motor pump
Motopompe - Motor pump

CK/CKE - CKX/CKXE

01
03/2007

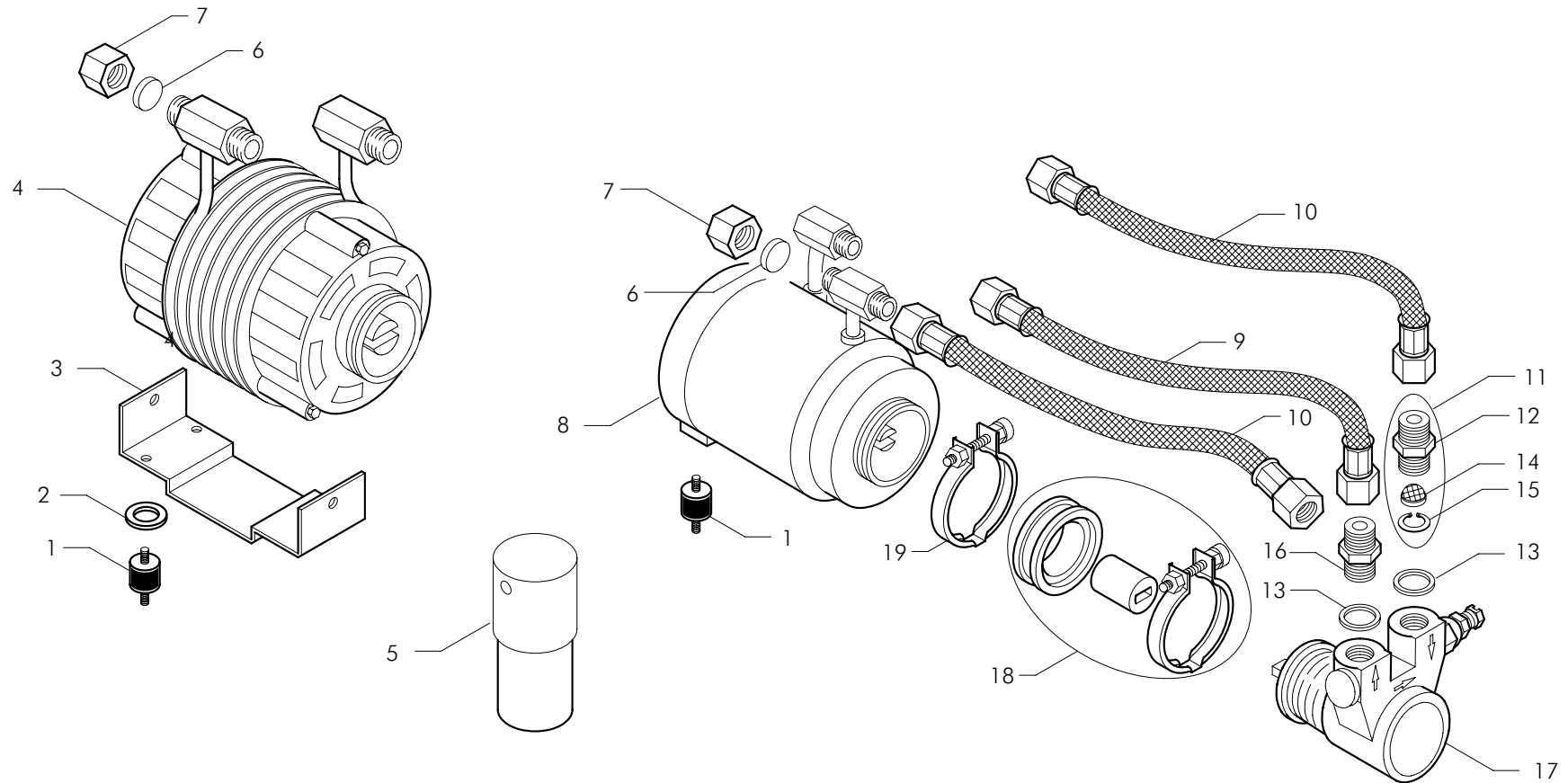
MOT-04

Motopompa - Motor pump
Motopompe - Motor pump

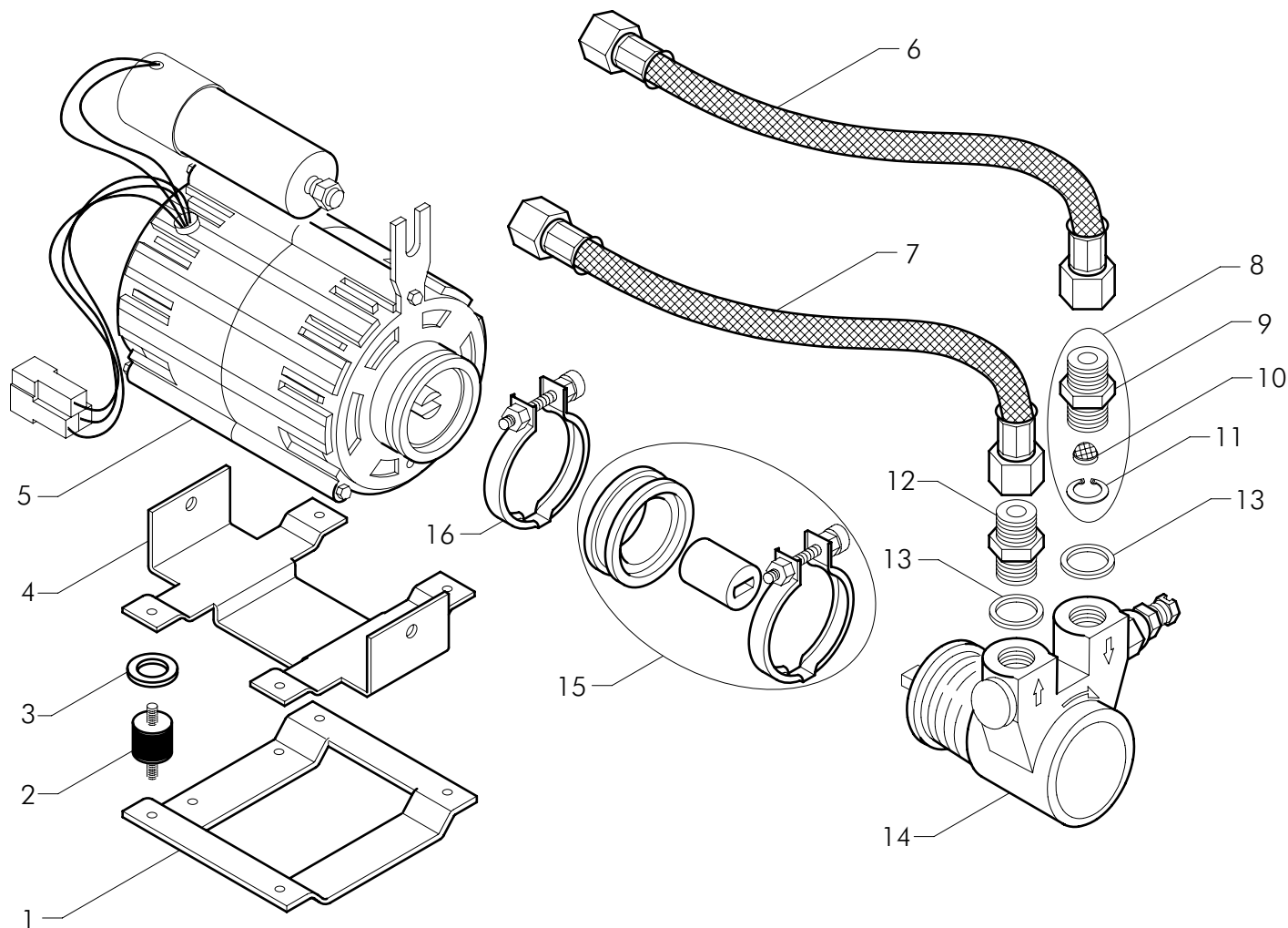
**ESTERNA - EXTERNAL
EXTERNE - EXTERN**

00
12/2008

*Motopompa
Motor pump
Motopompe
Motor pump*

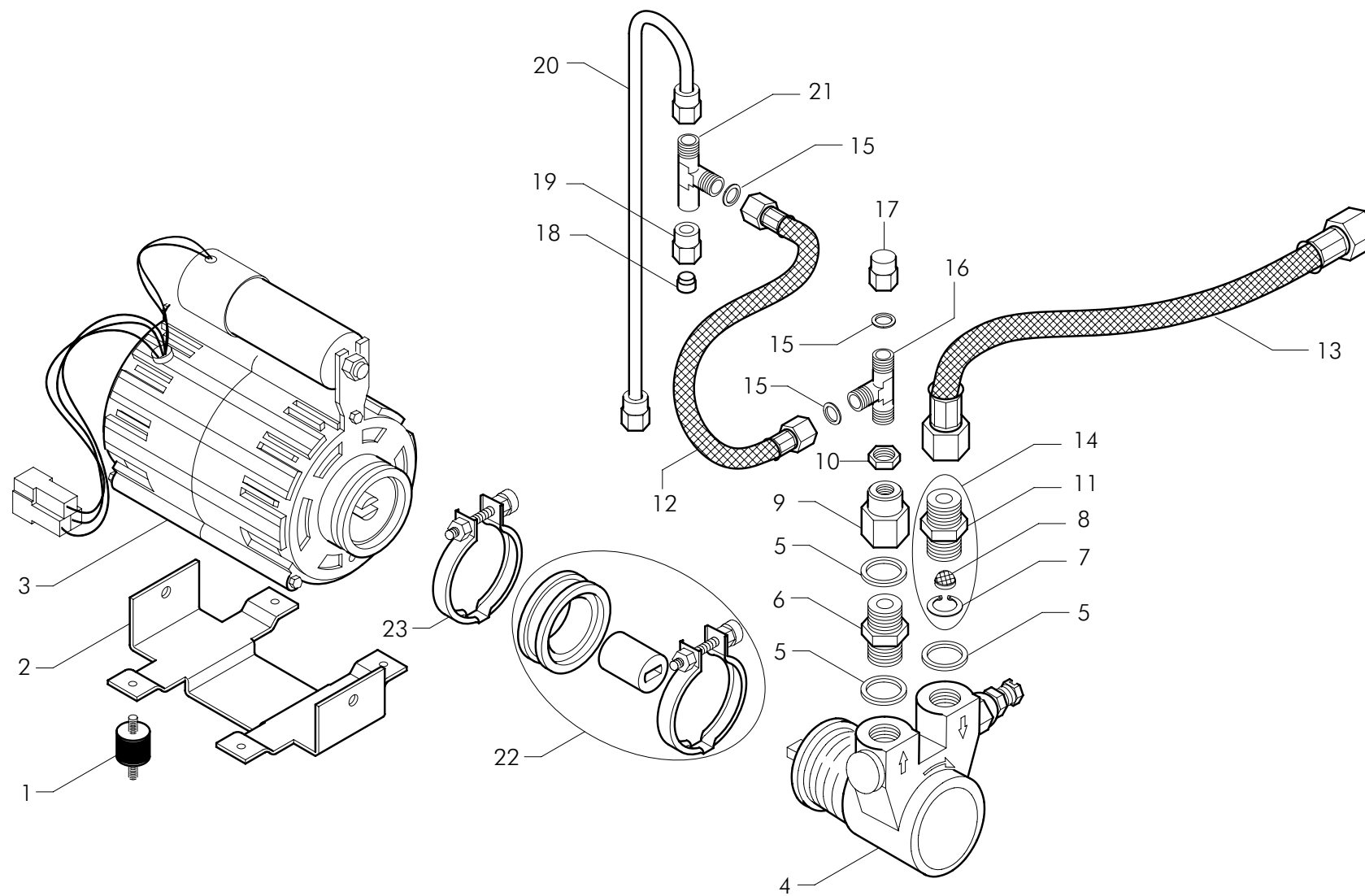


Pos	Cod.	Denominazione - IT -	Denomination - GB -	Denomination - FR -	Denomination - DE -
1	15105	GOMMA AMMORTIZZATORE X MOTORE RAF.H2O ZEC	RUBBER FOR WATER COOLED MOTOR ZEC.	CAOUTCHOUC POUR MOTEUR REFROID.EAU ZEC.	GUMMI X WASSERGEKÜHLTER MOTOR ZEC.
2	23265	RONDELLA GREMB. INOX 4X12 UNI 6593	STAINLESS WASHER 4X12 UNI 6593	RONDELLE INOX 4X12 UNI 6593	STAHLSCHEIBE 4X12 UNI 6593
3	78174	SUPPORTO MOTORE INCORPORATO R.P.M.	MOTOR BEAR. RPM	SUPPORT MOT. RPM	EINGEBAUTER MOTORHALTER RPM
4	56406	MOTORE RPM NI 230V 50/60 R.H2O ASSIEME	MOTOR RPM 230V 50/60HZ H2O	MOTEUR RPM 230V 50/60HZ H2O	MOTOR RPM 230V 50/60HZ H2O
4	56407	MOTORE RPM NI 120V 60HZ R.H2O ASSIEME	MOTOR RPM 120V 60HZ H2O	MOTEUR RPM 120V 60HZ H2O	MOTOR RPM 120V 60HZ H2O
5	19050	CONDENSATORE MOTORE 220V 10MF	MOTOR CAPACITOR 220V 10MF	CONDENSATEUR MOTEUR 220V 10MF	MOTORKONDENSATOR 220V 10MF
5	19051	CONDENSATORE MOTORE 110V 20MF	MOTOR CAPACITOR 110V 20MF	CONDENSATEUR MOTEUR 110V 20MF	MOTORKONDENSATOR 110V 20MF
5	19062	CONDENSATORE MOTORE 230V6UF Y001400	MOTOR CAPACITOR 230V 6UF Y001400	CONDENSATEUR MOTEUR 230V6UF Y001400	KONDENSATOR MOTOR 230V 6UF Y001400
6	12007	GUARNIZIONE KLINGERSIL4400	KLINGERSIL4400 COPPER SEAL	JOINT KLINGERSIL4400 POUR BOUCHON	DICHTUNG KLINGER SIL4400 X DECKEL
7	25782	TAPPO FEMMINA 1/4 GAS	1/4 GAS FEMALE TAP	BOUCHON FEMELLE 1/4 GAZ	INNENANSCHLUSSSTÖPSEL 1/4 GAS
8	56401	MOT.ZEC NI 120V 60HZ R.H2O ASSIEME	MOTOR ZEC 120V 60HZ H2O	MOTEUR ZEC 120V 60HZ H2O	MOTOR ZEC 120V 60HZ H2O
8	56402	MOT.ZEC NI 230V 50/60HZ R.H2O ASSIEME	MOTOR ZEC 230V 50/60HZ H2O	MOTEUR ZEC 230V 50/60HZ H2O	MOTOR ZEC 230V 50/60HZ H2O
9	30403	TUBOFLEX 3/8FF P.GOMMA CON. L33 NI	3/8 FEMALE L33 FLEX PIPE CONICAL HOSE F	TUYAU FLEX 3/8 FF L33 PORTE-TUYAU	SCHLAUCH 3/8 AUFNAHMETÜR L33 GUMMI KONI
10	30404	TUBOFLEX 3/8FF P.GOMMA CON. L45 NI	3/8 FEMALE L45 FLEX PIPE CONICAL HOSE F	TUYAU FLEX 3/8 FF L45 PORTE-TUYAU	SCHLAUCH 3/8 AUFNAHMETÜR L45 GUMMI KONI
11	56116	RACCORDO 3/8+3/8 MOTOPOMPA ASSIEME	CONNECTOR 3/8+3/8 PUMP ASSEMBLY	RACCORD 3/8 + 3/8 ENS. MOTOPOMPE	ANSCHLUSS 3/8 + 3/8 MOTORP. ZUSAMMEN
12	25732	RACCORDO 3/8X3/8 + SEDE FILTRO	3/8X3/8 FITTING + FILTER HOUSING	RACCORD 3/8X3/8 + LOG. FILTRE	ANSCHLUSS 3/8X3/8 + FILTERSITZ
13	12154	GUARNIZIONE CU 3/8 22X17X1.5	3/8 22X17X1.5 COPPER SEAL	JOINT CUIVRE 3/8 22X17X1.5	KUPFERDICHTUNG 3/8 22X17X1.5
14	10254	FILTRO ACCIAIO 160-200 MESH	STEEL FILTER 160-200 MESH	FILTRE EN ACIER 160-200 MESH	STAHLFILTER 160-200 MESH
15	10005	ANELLO DI ARRESTO INOX DIN472 D11	DIN472 D11 STAINLESS STEEL STOP RING	ANNEAU DE BUTEE INOX DIN472 D11	DRAHTSPRENGRING ROSTFREI DIN472 D11
16	25687	RACCORDO 3/8X3/8 GAS	3/8X3/8 GAS FITTING	RACCORD 3/8X3/8 GAZ	ANSCHLUSS 3/8X3/8 GAS
17	26302	POMPA PROCON CO 51509BLF PASSO 3/8GAS	CO 51509 PROCON PUMP, 3/8NPT PITCH	POMPE PROCON CO 51509 PAS 3/8NPT	PUMPE PROCON CO 51509 SCHRITT 3/8N
17	26303	POMPA FLUID-O-TECH PO 204 BY PASS ETL	PO 204 BY PASS PUMP ETL	POMPE PO 204 BY PASS ETL	PUMPE PO 204 BY PASS ETL
17	26303001	POMPA FLUID-O-TECH PO 104 NFS 3/8G	PUMP FLUID-O-TECH PO 104 NSF 3/8G	POMPE FLUID-O-TECH PO104 NFS 3/8G	PUMPE FLUID-O-TECH PO 104 NFS 3/8G
18	83260016R	KIT DISACCOPIAMENTO MOTORE POMPA	KIT COUPLING MOTOR-PUMP	ENSEMBLE DECOUPLAGE MOTEUR POMPE	KIT MOTOR-PUMPE KUPPLUNG
19	26310003	FASCETTA GIUNZIONE MOTORE-POMPA	CLAMP MOTOR-PUMP	BANDE MOTEUR-POMPE	SHELLE MOTOR-PUMPE

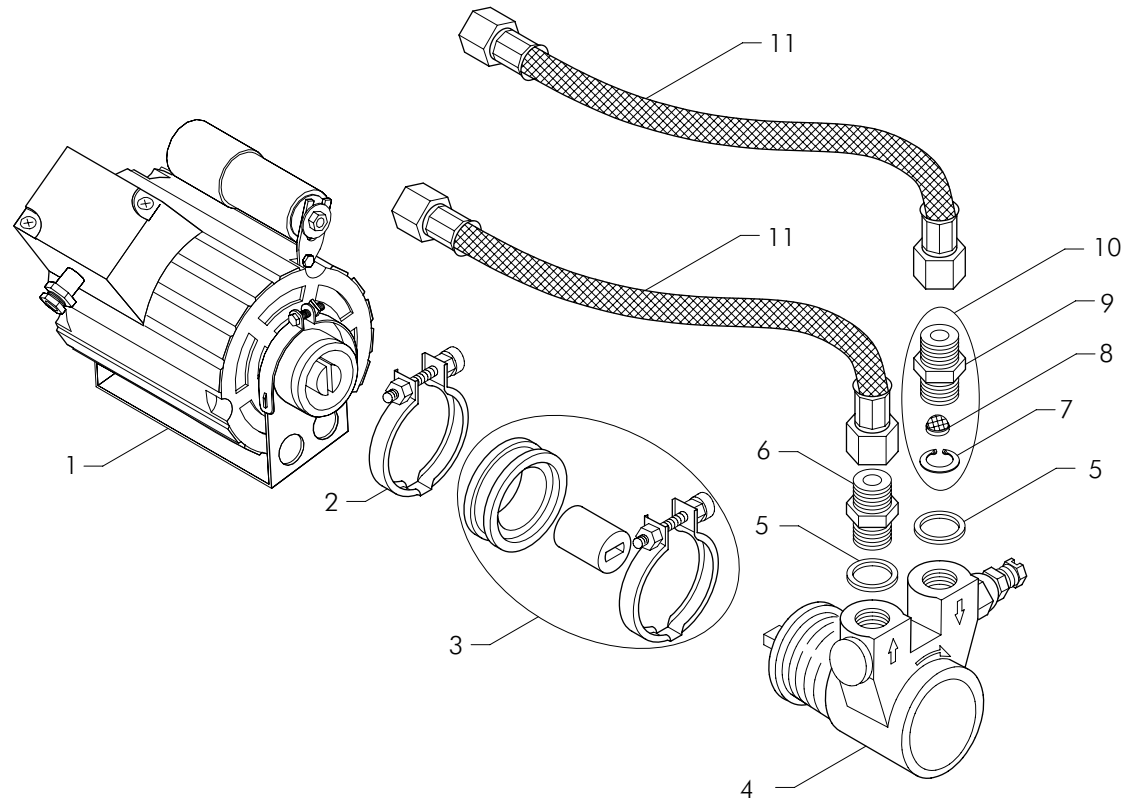


Pos	Cod.	Denominazione - IT -	Denomination - GB -	Denomination - FR -	Denomination - DE -
1	78174002	SUPPORTO MOTORE	MOTOR PUMP BEAR.	SUPPORT MOT.POMPE	MOTOR PUMPE HEALTER
2	15105	GOMMA AMMORTIZZATORE X MOTORE RAF.H2O ZEC	RUBBER FOR WATER COOLED MOTOR ZEC.	CAOUTCHOUC POUR MOTEUR REFROID.EAU ZEC.	GUMMI X WASSERGEKÜHLTER MOTOR ZEC.
3	23265	RONDELLA GREMB. INOX 4X12 UNI 6593	STAINLESS WASHER 4X12 UNI 6593	RONDELLE INOX 4X12 UNI 6593	STAHLSCHEIBE 4X12 UNI 6593
4	78174001	SUPPORTO MOTORE INC. RPM	MOTOR SUPPORT	SUPPORT MOTEUR	EINGEBAUTER MOTORHALTER
5	18303	MOTORE R.P.M. 230V 120W	MOTOR R.P.M. 230V 120W	MOTEUR R.P.M. 230V 120W	MOTOR R.P.M. 230V 120W
5	18304	MOTORE R.P.M. 110V 120W	MOTOR R.P.M. 110V 120W	MOTEUR R.P.M. 110V 120W	MOTOR R.P.M. 110V 120W
6	30403	TUBOFLEX 3/8FF P.GOMMA CON. L33 NI	3/8 FEMALE L33 FLEX PIPE CONICAL HOSE F	TUYAU FLEX 3/8 FF L33 PORTE-TUYAU	SCHLAUCH 3/8 AUFNAHMETÜR L33 GUMMI KONI
7	30404	TUBOFLEX 3/8FF P.GOMMA CON. L45 NI	3/8 FEMALE L45 FLEX PIPE CONICAL HOSE F	TUYAU FLEX 3/8 FF L45 PORTE-TUYAU	SCHLAUCH 3/8 AUFNAHMETÜR L45 GUMMI KONI
8	56116	RACCORDO 3/8+3/8 MOTO Pompa ASSIEME	CONNECTOR 3/8+3/8 PUMP ASSEMBLY	RACCORD 3/8 + 3/8 ENS. MOTO Pompe	ANSCHLUSS 3/8 + 3/8 MOTORP. ZUSAMMEN
9	25732	RACCORDO 3/8X3/8 + SEDE FILTRO	3/8X3/8 FITTING + FILTER HOUSING	RACCORD 3/8X3/8 + LOG. FILTRE	ANSCHLUSS 3/8X3/8 + FILTERSITZ
10	10254	FILTRO ACCIAIO 160-200 MESH	STEEL FILTER 160-200 MESH	FILTRE EN ACIER 160-200 MESH	STAHLFILTER 160-200 MESH
11	10005	ANELLO DI ARRESTO INOX DIN472 D11	DIN472 D11 STAINLESS STEEL STOP RING	ANNEAU DE BUTEE INOX DIN472 D11	DRAHTSPRENGRING ROSTFREI DIN472 D11
12	25687	RACCORDO 3/8X3/8 GAS	3/8X3/8 GAS FITTING	RACCORD 3/8X3/8 GAZ	ANSCHLUSS 3/8X3/8 GAS
13	12154	GUARNIZIONE CU 3/8 22X17X1.5	3/8 22X17X1.5 COPPER SEAL	JOINT CUIVRE 3/8 22X17X1.5	KUPFERDICHTUNG 3/8 22X17X1.5
14	26303001	POMPA FLUID-0-TECH PO 104 NFS 3/8G	PUMP FLUID-0-TECH PO 104 NSF 3/8G	POMPE FLUID-0-TECH PO104 NFS 3/8G	PUMPE FLUID-0-TECH PO 104 NFS 3/8G
15	83260016R	KIT DISACCOPPIAMENTO MOTORE Pompa	KIT COUPLING MOTOR-PUMP	ENSEMBLE DECOUPLAGE MOTEUR POMPE	KIT MOTOR-PUMPE KUPPLUNG
16	26310003	FASCETTA GIUNZIONE MOTORE-POMPA	CLAMP MOTOR-PUMP	BANDE MOTEUR-POMPE	SHELLE MOTOR-PUMPE

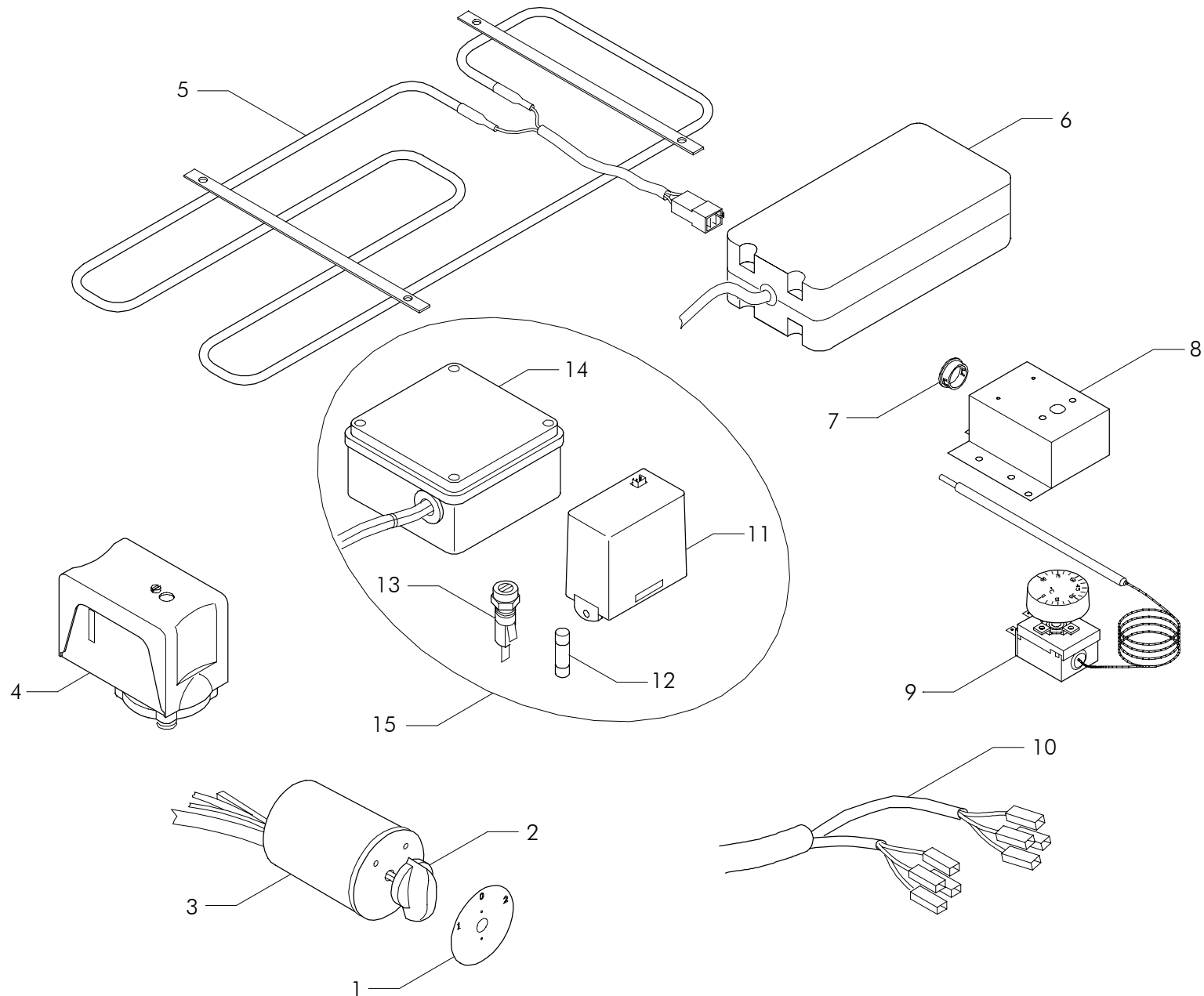




Pos	Cod.	Denominazione - IT -	Denomination - GB -	Denomination - FR -	Denomination - DE -
1	15105	GOMMA AMMORTIZZATORE X MOTORE RAF.H2O ZEC	RUBBER FOR WATER COOLED MOTOR ZEC.	CAOUTCHOUC POUR MOTEUR REFROID.EAU ZEC.	GUMMI X WASSERGEKÜHLTER MOTOR ZEC.
2	78174001	SUPPORTO MOTORE INC. RPM	MOTOR SUPPORT	SUPPORT MOTEUR	EINGEBAUTER MOTORHALTER
3	18303	MOTORE R.P.M. 230V 120W	MOTOR R.P.M. 230V 120W	MOTEUR R.P.M. 230V 120W	MOTOR R.P.M. 230V 120W
3	18304	MOTORE R.P.M. 110V 120W	MOTOR R.P.M. 110V 120W	MOTEUR R.P.M. 110V 120W	MOTOR R.P.M. 110V 120W
4	26303002	POMPA FLUID-0-TECH 50LT/H P0054	FLUID-0-TECH PUMP	POMPE FLUID-0-TECH 50 LT/H P005	PUMPE FLUID-0-TECH
5	12154	GUARNIZIONE CU 3/8 22X17X1.5	3/8 22X17X1.5 COPPER SEAL	JOINT CUIVRE 3/8 22X17X1.5	KUPFERDICHTUNG 3/8 22X17X1.5
6	25687	RACCORDO 3/8X3/8 GAS	3/8X3/8 GAS FITTING	RACCORD 3/8X3/8 GAZ	ANSCHLUSS 3/8X3/8 GAS
7	10005	ANELLO DI ARRESTO INOX DIN472 D11	DIN472 D11 STAINLESS STEEL STOP RING	ANNEAU DE BUTEE INOX DIN472 D11	DRAHTSPRENGRING ROSTFREI DIN472 D11
8	10254	FILTRO ACCIAIO 160-200 MESH	STEEL FILTER 160-200 MESH	FILTRE EN ACIER 160-200 MESH	STAHLFILTER 160-200 MESH
9	25744	RIDUZIONE 1/8FX3/8F V.N.R.	REDUCTION 1/8FX3/8F	REDUCTION 1/8FX3/8F	REDUKTION 1/8FX3/8F
10	25395	DADO 1/8 MANOMETRO	1/8 NUT GAUGE	ECROU 1/8 MANOMETRE	MUTTER 1/8 MANOMETER
11	25732	RACCORDO 3/8X3/8 + SEDE FILTRO	3/8X3/8 FITTING + FILTER HOUSING	RACCORD 3/8X3/8 + LOG. FILTRE	ANSCHLUSS 3/8X3/8 + FILTERSITZ
12	30405	TUBOFLEX 1/8FF P.GOMMA PIA. L19 NI	TUBOFLEX 1/8FF RUBBER-HOLDER L19	TUBOFLEX 1/8FF PORTE-TUYAU L19	TUBOFLEX 1/8FF GUMMI-HALTER L19
13	30408	TUBOFLEX 3/8FF P.GOMMA CON. L150 NI	3/8 FEMALE L150 FLEX PIPE CONICAL HOSE F	TUYAU FLEX 3/8 FF L150 PORTE-TUYAU	SCHLAUCH 3/8 AUFNAHMETÜR L150 GUMMI KONI
14	56116	RACCORDO 3/8+3/8 MOTOPOMPA ASSIEME	CONNECTOR 3/8+3/8 PUMP ASSEMBLY	RACCORD 3/8 + 3/8 ENS. MOTOPOMPE	ANSCHLUSS 3/8 + 3/8 MOTORP. ZUSAMMEN
15	12012	GUARNIZIONE TEFLON 8.5X4X2	GASKET TEFLON 8.5X4X2	JOINT TEFLON 8.5X4X2	DICHTUNG TEFLON 8.5X4X2
16	23211	RACCORDO OTT."T" 1/8X1/8X1/8 30006	BRASS CONNECTOR 'T' 1/8X1/8X1/8	RACCORD LAITON "T" 1/8X1/8X1/8	MESSING FITTING "T" 1/8X1/8X1/8
17	25790	TAPPO 1/8 GAS FEMMINA	FEMALE CAP 1/8 GAS	BOUCHON FEMELLE 1/8 GAS	STOPFEN 1/8 GAS
18	25800	TERMINALE D6	TERMINAL D6	BORNE D6	ENDVERSCHLUSS D6
19	25701	RACC.MANOMETRO 1/8 FORO 6	MANOMETER CONNECTOR 1/8 HOLE 6	RACCORD MANOMETRE 1/8 TROU 6	MANOMETERFITTING 1/8 LOCH 6
20	52002053	TUB.D-6 L.200 CO 43 RACC."T" ORIENT> EV AEA	TUBE D-6 L.200	TUYAU D-6 L.200	ROHR D-6 L.200
21	23195	RACCORDO OTT."T" ORIENT. S03600-A-6-6	BRASS FITTING 'T' S03600-A-6-6	RACCORD LAITON 'T' S03600-A-6-6	MESSING FITTING 'T' S03600-A-6-6
22	83260016R	KIT DISACCOPIAMENTO MOTORE POMPA	KIT COUPLING MOTOR-PUMP	ENSEMBLE DECOUPLAGE MOTEUR POMPE	KIT MOTOR-PUMPE KUPPLUNG
23	26310003	FASCETTA GIUNZIONE MOTORE-POMPA	CLAMP MOTOR-PUMP	BANDE MOTEUR-POMPE	SHELLE MOTOR-PUMPE



Pos	Cod.	Denominazione - IT -	Denomination - GB -	Denomination - FR -	Denomination - DE -
1	18300	MOTORE R.P.M. 230/50-60 110027.06	MOTOR R.P.M. 230/50-60 110027.06	MOTEUR TOURS/MIN 230/50-60 110027.0	MOTOR R.P.M. 230/50-60 110027.06
1	18302	MOTORE RPM 230/50-60 SCAT.110027.76	MOTOR RPM 230/V 50-60HZ	--	MOTOR RPM 230/50
1	18306	MOTORE R.P.M. 110/115V-50/60 HZ	MOTOR R.P.M. 110/115V-50/60 HZ	MOTEUR TOURS/MIN 110/115V-50/60 HZ	MOTOR R.P.M. 110/115V-50/60 HZ
1	18308	MOTORE R.P.M. 240/50-60 110245.04	MOTOR R.P.M. 240/50-60 M0245.04	MOTEUR TOURS/MIN 240/50-60 M0245.04	MOTOR R.P.M. 240/50-60 M0245.04
2	26310003	FASCETTA GIUNZIONE MOTORE-POMPA	CLAMP MOTOR-PUMP	BANDE MOTEUR-POMPE	SHELLE MOTOR-PUMPE
3	83260016R	KIT DISACCOPIAMENTO MOTORE POMPA	KIT COUPLING MOTOR-PUMP	ENSEMBLE DECOUPLAGE MOTEUR POMPE	KIT MOTOR-PUMPE KUPPLUNG
4	26302	POMPA PROCON CO 51509BLF PASSO 3/8GAS	CO 51509 PROCON PUMP, 3/8NPT PITCH	POMPE PROCON CO 51509 PAS 3/8NPT	PUMPE PROCON CO 51509 SCHRITT 3/8N
4	26303	POMPA FLUID-O-TECH PO 204 BY PASS ETL	PO 204 BY PASS PUMP ETL	POMPE PO 204 BY PASS ETL	PUMPE PO 204 BY PASS ETL
4	26303001	POMPA FLUID-O-TECH PO 104 NFS 3/8G	PUMP FLUID-O-TECH PO 104 NSF 3/8G	POMPE FLUID-O-TECH PO104 NFS 3/8G	PUMPE FLUID-O-TECH PO 104 NFS 3/8G
5	12154	GUARNIZIONE CU 3/8 22X17X1.5	3/8 22X17X1.5 COPPER SEAL	JOINT CUIVRE 3/8 22X17X1.5	KUPFERDICHTUNG 3/8 22X17X1.5
6	25687	RACCORDO 3/8X3/8 GAS	3/8X3/8 GAS FITTING	RACCORD 3/8X3/8 GAZ	ANSCHLUSS 3/8X3/8 GAS
7	10005	ANELLO DI ARRESTO INOX DIN472 D11	DIN472 D11 STAINLESS STEEL STOP RING	ANNEAU DE BUTEE INOX DIN472 D11	DRAHTSPRENGRING ROSTFREI DIN472 D11
8	10254	FILTRO ACCIAIO 160-200 MESH	STEEL FILTER 160-200 MESH	FILTRE EN ACIER 160-200 MESH	STAHLFILTER 160-200 MESH
9	25732	RACCORDO 3/8X3/8 + SEDE FILTRO	3/8X3/8 FITTING + FILTER HOUSING	RACCORD 3/8X3/8 + LOG. FILTRE	ANSCHLUSS 3/8X3/8 + FILTERSITZ
10	56116	RACCORDO 3/8+3/8 MOTOPOMPA ASSIEME	CONNECTOR 3/8+3/8 PUMP ASSEMBLY	RACCORD 3/8 + 3/8 ENS. MOTOPOMPE	ANSCHLUSS 3/8 + 3/8 MOTORP. ZUSAMMEN
11	30403	TUBOFLEX 3/8FF P.GOMMA CON. L33 NI	3/8 FEMALE L33 FLEX PIPE CONICAL HOSE F	TUYAU FLEX 3/8 FF L33 PORTE-TUYAU	SCHLAUCH 3/8 AUFNAHMETÜR L33 GUMMI KONI
11	30404	TUBOFLEX 3/8FF P.GOMMA CON. L45 NI	3/8 FEMALE L45 FLEX PIPE CONICAL HOSE F	TUYAU FLEX 3/8 FF L45 PORTE-TUYAU	SCHLAUCH 3/8 AUFNAHMETÜR L45 GUMMI KONI
11	30407	TUBOFLEX 3/8FF P.GOMMA CON. L100 NI	3/8 FEMALE L100 FLEX PIPE CONICAL HOSE	TUYAU FLEX 3/8 FF L100 PORTE-TUYAU	SCHLAUCH 3/8 AUFNAHMETÜR L100 GUMMI KONI
11	30408	TUBOFLEX 3/8FF P.GOMMA CON. L150 NI	3/8 FEMALE L150 FLEX PIPE CONICAL HOSE	TUYAU FLEX 3/8 FF L150 PORTE-TUYAU	SCHLAUCH 3/8 AUFNAHMETÜR L150 GUMMI KONI



Pos	Cod.	Denominazione - IT -	Denomination - GB -	Denomination - FR -	Denomination - DE -
1	29066001	ETICHETTA ADESIVA "1-0-2" NERO TONDO PLA	ADHESIVE LABEL "1-0-2" BLACK PLAST.	ETIQ. ADHES. "1-0-2" NOIR PLASTIQUE	KLEBEETIKETTE "1-0-2" SCHWARZ PLAST
2	15271	MANOPIOLA INTERR.GENERALE BREMAS	MAIN SWITCH HAND GRIP	MANETTE INTERR. GENERAL	HAUPTSCHALTERGRIF
3	18103	COMMUTATORE BREMAS A25.2 SCH.0408/7412	COMMUTATOR BREMAS A25.2	COMMUTATEUR BREMAS A25.2	UMSCHALTER BREMAS A25.2
3	18104	COMMUTATORE BREMAS A20.12 CS0177412.328	COMMUTATOR BREMAS A20.12	COMMUTATEUR BREMAS A20.12	UMSCHLATER BREMAS A20.12
4	20150	PRESSOSTATO SECCO SIRAI P302/6	SIRAI P302/6 DRY PRESSURE SWITCH	PRESSOSTAT SEC SIRAI P302/6	TROCKENDRUCKWÄCHTER SIRAI P302/6
5	17021005	RESISTENZA 1GR 230V 100W SCTE	HEATING ELEMENT 1GR 230V 100W	RESISTANCE 1GR 230V 100W	WIDERSTAND 1GR 230V 100W
5	17022005	RESISTENZA 2GR 230V 250W SCTE SB	HEATING ELEMENT 2GR 230V 250W	RESISTANCE 2GR 230V 250W	WIDERSTAND 2GR 230V 250W
5	17023005	RESISTENZA 3GR 230V 300W SCTE SB	HEATING ELEMENT 3GR 230V 300W	RESISTANCE 3GR 230V 300W	WIDERSTAND 3GR 230V 300W
6	18090016	CENTRALINA 1>3GR UL ES 230V DOS S	CONTROL UNIT 1>3GR UL ES 230V	CENTR.1>3GR UL ES 230V DOS S	EINHEIT 1>3GR UL ES 230V DOS S
6	18090017	CENTRALINA 1>3GR UL ES 120V DOS S	CONTROL UNIT 1>3GR UL ES 120V DOS S	CENTR.1>3GR UL ES 120V DOS S	EINHEIT 1>3GR UL ES 120V DOS S
7	15352	PASSACAVO B/750/625 U.L. 143832	FAIRLEAD B/750/625 U.L. 143832	CHAUMARD B/750/625 U.L. 143832	KABELDURCHGANG B/750/625 U.L.143832
8	77691M	SUPPORTO TERMOSTATO FRIGO 1/2GAL	THERMOSTAT PROTECTION FR. 1/2 GAL.	PROTECTION THERMOSTAT FR. 1/2 GAL.	LAGER THERMOSTAT KÜHLUNG 1/2GAL
9	20314	TERMOSTATO IMIT 90G 2,5A 250V UL	THERMOSTAT IMIT 90G 2,5A 250V UL	THERMOSTAT IMIT 90G 2,5A 250V UL	TERMOSTAT IMIT 90G 2,5A 250V UL
10	2289R003	CABLAGGIO SAE/1	CABLE SAE/1	CABLAGE SAE/1	VERDRAHTUNG SAE/1
10	2289R004	CABLAGGIO SAE/2	CABLE SAE/2	CABLAGE SAE/2	VERDRAHTUNG SAE/2
10	2289R005	CABLAGGIO SAE/3	CABLE SAE/3	CABLAGE SAE/3	VERDRAHTUNG SAE/3
10	2289R006	CABLAGGIO AEP/1 '03	CABLE AEP/1 '03	CABLAGE AEP/1 '03	VERDRAHTUNG AEP/1 '03
10	2289R007	CABLAGGIO AEP/2 '03	CABLE AEP/2 '03	CABLAGE AEP/2 '03	VERDRAHTUNG AEP/2 '03
10	2289R008	CABLAGGIO AEP/3 '03	CABLE AEP/3 '03	CABLAGE AEP/3 '03	VERDRAHTUNG AEP/3 '03
11	18080001	REGOLATORE LIVELLO RL30/T.O.220/240V 917	LEVEL CONTROL RL30/T.O.220/240V	CONTROLE NIVEAU RL30/T.O.220/240V	WASSERNIVEAUREGLER RL30/TO 220/240V
11	18081001	REGOLATORE LIVELLO RL30/TIMEOUT 120V	LEVEL CONTROL RL30/TIMEOUT 120V	CONTROLE NIVEAU RL30/TIMEOUT 120V	WASSERNIVEAUREGLER RL30/TO 120V
12	19100	FUSIBILE OMEGA 5X20 T-3.15A	FUSE OMEGA 5X20 F-3.15A	FUSIBLE OMEGA 5X20 F-3.15A	SCHMELZSICHERUNG 5X20 T-3.15A
13	19122	PORTAFUSIBILE P2300 10A 250V OMEGA	FUSE HOLDER P2300 10A 250V OMEGA	PORTE-FUSIBLE P2300 10A 250V OMEGA	SICHERUNGSHALTER P2300 10A 250V OM.
14	15373100	SCATOLA RL 30	RL 30 BOX	BOITE RL 30	RL 30 BEHALTER
15	56302005	ASS.SCATOLA AEA CENT/CABL 230V	AEA BOX UNIT 230V	ENSEMBLE BOITE AEA 230V	AEA BEHALTER BAUGRUPPE 230V
15	56302006	ASS.SCATOLA AEA CENT/CABL 120V	AEA BOX UNIT 120V	ENSEMBLE BOITE AEA 120V	AEA BEHALTER BAUGRUPPE 120V

INDICE - INDEX - SOMMAIRE - VERZEICHNIS

ACC

ACC-04

ACCESSORI - ACCESSORIES - ACCESSOIRES - ZUBEHÖR

rev.

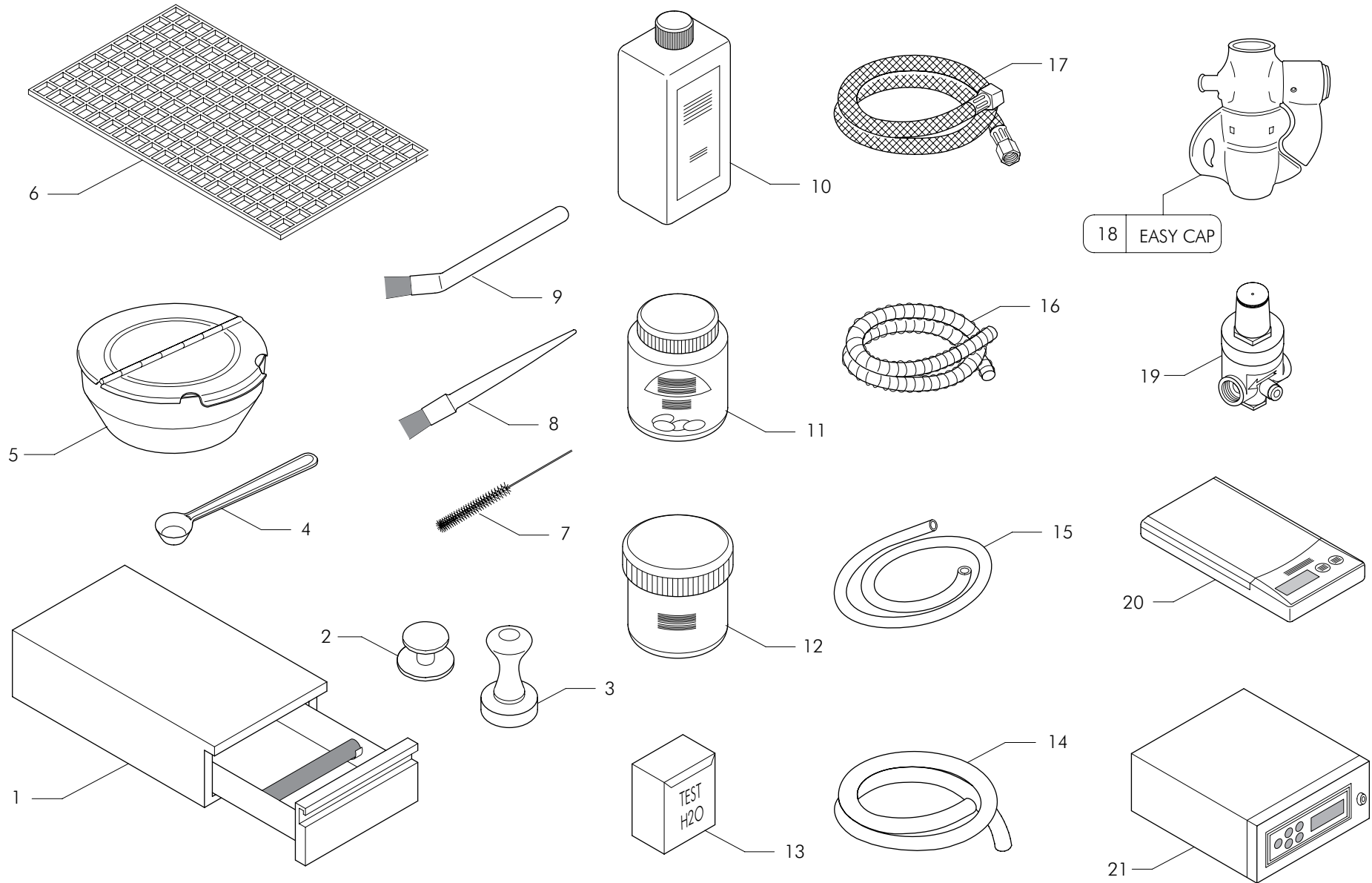
01
05/2007

ACCESSORI

ACCESSORIES

ACCESSOIRES

ZUBEHÖR



Pos	Cod.	Denominazione - IT -	Denomination - GB -	Denomination - FR -	Denomination - DE -
1	31015001	CASSETTIERA INOX 350X250X75	ST.STEEL BOX WITH DRAWER	TIROIR INOX 350X250X75	SCHUBLADE AUS STAHL 350X250X75
1	31016	CASSETTIERA INOX 1 CASSETTO 500X530CON	SINGLE KNOCK OUT DRAWER 500X530X160	TIROIR A MARC SIMPLE 500X530X160	SCHUBLADE 1GR.500X530
1	31017	CASSETTIERA INOX 2 CASSETTI 700X530CON	DOUBLE KNOCK OUT DRAWER 700X530	TIROIR A MARC DOUBLE 700X530X160	SCHUBLADE 2GR. 700X530
2	15420	PRESSINO CAFFE'	COFFEE PRESS	PRESSE CAFE	EINDRÜCKVORRICHTUNG
3	30004001	PRESSINO D.58 MANICO LEGNO	COFFEE PRESS WOOD HANDLE	PRESSE CAFE MANCHE BOIS	EINDRÜCKVORRICHTUNG HOLZ GRIFF
4	15290	MISURINO IN PLASTICA GR.7	7 GR PLASTIC MEASURE	MESURE EN PLASTIQUE 7 GR.	PLASTIKMESSBECHER GR.7
4	30150	MISURINO ACCIAIO INOX	STAINLESS STEEL MEASURE GR.7	MESURE ACIER INOX 7GR.	EDELSTAHL-MESSBECHER 7GR.
5	30300	ZUCCHERIERA INOX	STAINLESS STEEL SUGAR-BOWL	SUCRIER INOX	ZUCKERDOSE ROSTFREI
6	30225	GRIGLIA MOPLEN TELCO 372X238X4.5	GRATE MOPLEN TELCO 372X238X4.5	GRILLE MOPLEN TELCO 372X238X4.5	GITTER MOPLEN TELCO 372X238X4.5
6	30226	GRIGLIA MOPLEN TELCO 372X203X4.5	GRATE MOPLEN TELCO 372X203X4.5	GRILLE MOPLEN TELCO 372X203X4.5	GITTER MOPLEN TELCO 372X203X4.5
7	15426001	SCOVOLINO INTERDENTALE L MANUALE ROSSO	MANUAL TUBE BRUSH L RED M	ECOUVILLON L MANUEL ROUGE M	REINIGUNGSBUERSTE MANUELL ROT
8	08340	PENNELLO MANICO ROSSO	RED HANDLE BRUSH	PINCEAU POIGNEE ROUGE	ROT PINSELGRIFF
9	15426	SPAZZOLINO NERO SETOLE NYLON CORTE	SHORT BLACK NYLON BRISTLE BRUSH FOR	PETITE BROSSE NOIRE AVEC POILS NYLON	KURZE, SCHWARZE NYLONBUERSTE
10	08453	DETERGENTE V7000 CONF.1LT	DETERGENT V7000 - 1 LT. PACK	DETERGENT V7000 DE 1 LT	REINIGUNGSMITTEL V7000 PACKUNG 1 L
11	08124	PULY CAFF PASTIGLIE CONF.60PZ	DETERG."PULY CAFF" - PACK OF 60 TAB	DETERG. "PULY CAFF" CONF. 60 PASTIL	REINIGUNGSM."PULY CAFF"PACK.60 TABL
12	08126	PULY CAF BARATTOLO CONF.900GR	PULY CAF - CAN - 900 GR	DETERG. "PULY CAFF" CONF. 900 GR	DUSTY CAF 900 GR.
13	08120	TEST PROVA ACQUA MERK	MERK WATER TEST	TEST PREUVE MERK	MERK WASSER TEST
14	15458	TUBO RETINATO CRISTALLINO 16X10	TUBE 16X10	TUYAU 16X10	ROHR 16X10
15	15476	TUBO SILICONE 5X8 KGXMT 0.044	5X8 SILICONE PIPE	TUYAU SILICONE 5X8 KGXMT 0.04	SILIKONROHR 5X8 KGXMT 0.044
16	15470	TUBO CAVOFLEX D16 SCARICO	D16 CAVOFLEX DRAIN PIPE	TUYAU CAVOFLEX D16 SCARICO	ABFLUSSROHR CAVOFLEX D16
17	30401	TUBOFLEX 1/4FF P.GOMMA CON. L28 NI	1/4 FEMALE L28 FLEX PIPE CONICAL HOSE	TUYAU FLEX 1/4 FF L28 PORTE-TUYAU	SCHLAUCH 1/4 AUFNAHMETÜR L28 GUMMI KONI
17	30403	TUBOFLEX 3/8FF P.GOMMA CON. L33 NI	3/8 FEMALE L33 FLEX PIPE CONICAL HOSE	TUYAU FLEX 3/8 FF L33 PORTE-TUYAU	SCHLAUCH 3/8 AUFNAHMETÜR L33 GUMMI KONI
17	30404	TUBOFLEX 3/8FF P.GOMMA CON. L45 NI	3/8 FEMALE L45 FLEX PIPE CONICAL HOSE	TUYAU FLEX 3/8 FF L45 PORTE-TUYAU	SCHLAUCH 3/8 AUFNAHMETÜR L45 GUMMI KONI
17	30407	TUBOFLEX 3/8FF P.GOMMA CON. L100 NI	3/8 FEMALE L100 FLEX PIPE CONICAL HOSE	TUYAU FLEX 3/8 FF L100 PORTE-TUYAU	SCHLAUCH 3/8 AUFNAHMETÜR L100 GUMMI KONI
17	30408	TUBOFLEX 3/8FF P.GOMMA CON. L150 NI	3/8 FEMALE L150 FLEX PIPE CONICAL HOSE	TUYAU FLEX 3/8 FF L150 PORTE-TUYAU	SCHLAUCH 3/8 AUFNAHMETÜR L150 GUMMI KONI
18	30515000	CAPPUCCINATORE COMPLETO	CAPPUCCINO MAKER COMPLETE	KIT CAPPUCCINO COMPLET	CAPPUCCINO ZUBEREITER
19	26330	RIDUTTORE PRESSIONE STANDARD PN25 DN3/8	STANDARD PRESS. REDUCTOR PN25 DN3	REDUCTEUR PRESS. STANDARD PN25 DN3/	DRUCKREDUZIERER STANDARD PN25 DN3/8
20	35AA0310	BILANCIA DIGITALE	DIGITAL SCALE	BALANCE DIGITAL	DIGITALWAAGE
21	26025	CONTABATTUTE SEMPLICE 220V 951419	SIMPLIFIED COUNTER 220V 951419	COMPTE-COUPS SEMPLIFIE 220V 951419	ZAHLER 220V 951419
21	26026	CONTABATTUTE 15 CHIAVI 220V 950859	COUNTER 15 KEYS 220V 950859	COMPTE-COUPS 15 CLES 220V 950859	ZAHLER 15 SCHLUSSEL 220V 950859
21	26028	CONTABATTUTE 15 CHIAVI 110V 951436	COUNTER 15 KEYS 110V 951436	COMPTE-COUPS 15 CLES 110V 951436	ZAHLER 15 SCHLUSSEL 110V 951436

INDICE - INDEX - SOMMAIRE - VERZEICHNIS

ACC

ACC-03

FILTRI e PORTAFILTRI - FILTERS and FILTERS HOLDER
FILTRES et PORTE FILTRES - FILTER und FILTERHALTER

rev.

01
05/2007

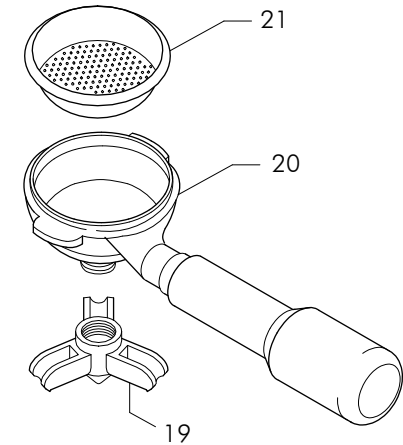
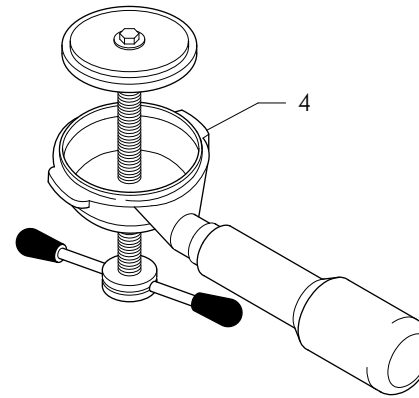
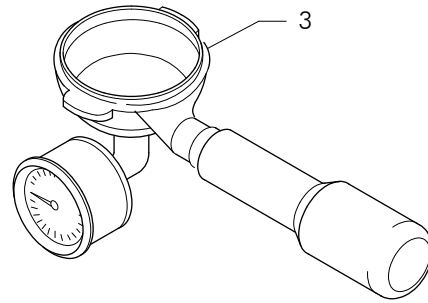
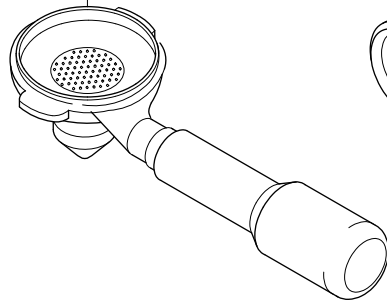
FILTRI e
PORTAFILTRI

FILTERS and
FILTERS HOLDER

FILTRES et
PORTE FILTRES

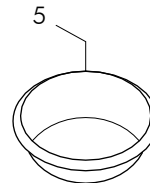
FILTER und
FILTERHALTER

2
PER CIALDA ORZO
FOR BARLEY PODS
POUR PASTILLES ORGE
FUER GERSTETABS



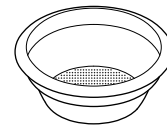
2
TAZZE-CUPS
TASSES-TASSEN

6	H. 24,5
7	H. 22

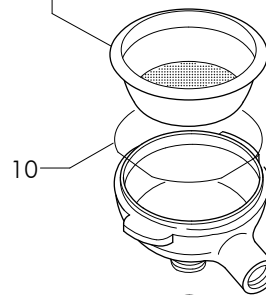
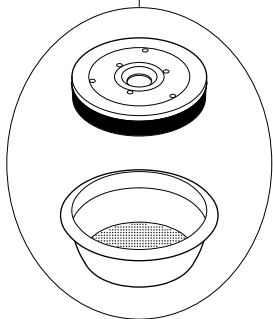


1
TAZZA-CUP
TASSE-TASSE

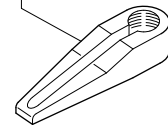
8	H. 24
9	H. 19,5



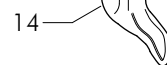
1
KIT CIALDA
PODS KIT
KIT PASTILLES
KIT KAFFEETABS



13 LCL



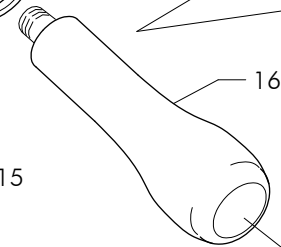
12



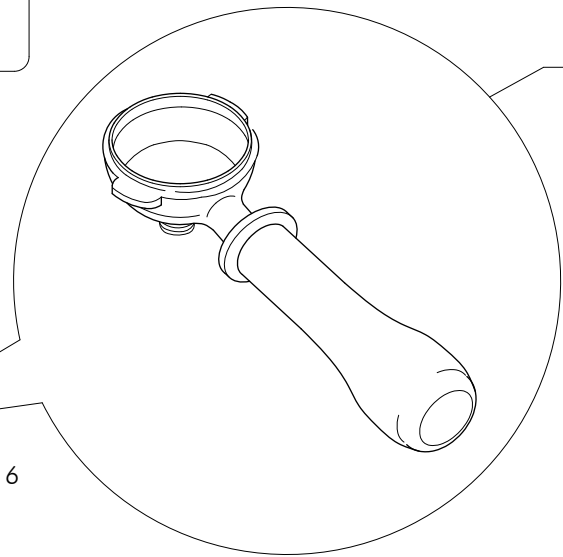
11



16



17



18

Pos	Cod.	Denominazione - IT -	Denomination - GB -	Denomination - FR -	Denomination - DE -
1	80126999R	KIT ADATTATORE X CIALDA 1 TAZZA	1 CUP POD ADAPTOR KIT	KIT ADAPTATEUR POUR PASTILLES 1 TASSE	KIT FUER KAFFEETABS
1	83250007R	KIT ADATTATORE X CIALDE 2 TAZZE	2 CUPS POD ADAPTOR KIT	KIT ADAPTATEUR POUR PASTILLES 2 TASSES	KIT FUER DOPPELTABS
2	27311100	PORTAFILTRO COMPLETO PER CIALDA ORZO	FILTER HOLDER FOR BARLEY PODS	PORTE FILTRE POUR PASTILLE ORGE	FILTERHALTER FUER GERSTETABS
3	56009901	PORTAFILTRO X MACCHINE EROGAZIONE	FILTER HOLDER FOR SEMI AUTO MACHINES	PORTE-FILTRE AVEC MANOMETRE	FILTERHALTER FUER FILTERPROBE
3	56009902	PORTAFILTRO PROVA MACCHINE A LEVA	FILTER HOLDER - LEVER MACHINES	PORTEFILTRE MANOMETRE TESTER PRESSION	FITERHALTER FUER FILTERPROBE AL
4	65002	ESTRATTORE PER GRUPPO A LEVA	EXTRACTOR FOR LEVER GROUP	EXTRACTEUR POUR GROUPE A LEVIER	ABZIEHER FUR HEBELGRUPPE
5	27173	FILTRO INOX 2 TAZZE CIECO	2 CUP STAINLESS STEEL BLIND FILTER	FILTRE INOX 2 TASSES AVEUGLE	GESCHLOSSENER FILTER 2 TASSEN
6	27171	FILTRO INOX 2 TAZZE H.24,5 E/61 + CAN.	E/61 2 CUP STAINLESS STEEL FILTER H24,5	FILTRE INOX 2 TASSES E/61 H.24,5 + RIG.	EDELSTAHL-FILTER 2 TASSEN E/61 H.24,5
7	27176	FILTRO INOX 2 TAZZE H.22 + CANALINO	2 CUP STAINLESS STEEL FILTER H.22	FILTRE INOX 2 TASSES H.22 + RIGOLE	EDELSTAHL-FILTER 2 TASSEN H.22 +
8	27142	FILTRO INOX 1 TAZZA E/61 H.24+ CANALINO	E/61 1 CUP STAINLESS STEEL FILTER	FILTRE INOX 1 TASSE E/61 H.24+ RIGOLE	EDELSTAHL-FILTER 1 TASSE E/61 H.24+FUE
9	27146	FILTRO INOX 1 TAZZA H.19,5 + CANALINO	H.19,5 1 CUP STAINLESS STEEL FILTER	FILTRE INOX 1 TASSE H.19,5 + RIGOLE	EDELSTAHL-FILTER 1 TASSE H.19,5 +
10	27254	MOLLA FERMAFILTRO D-1,4	FILTER CLAMP SPRING D-1,4	RESSORT BLOCAGE-FILTRE D-1,4	FILTERHALTEFEDER D-1,4
11	15296010	GHIERA ANTISCOTTATURA MANOPOLA	ANTI-SCORCH PLASTIC RING	RONDELLE ANTI-BRULURE POUR POIGNEE	RING FUER SIEBTRAEGER
12	27060201	PROLUNGA BECCUCCIO 1/2 TAZZE	EXTENSION SPOUT	PROLONGE BEC	VERLANGERUNG
13	27032002	BECCUCCIO OTT/NI 1 TAZZA ALLUNGATO LCL	BRASS SPOUT LONG CUPS LCL	BEC LAITON LONG LCL	AUSLAUF 1 TASSE LATTE MACCHIATO
14	27032001	BECCUCCIO OTT/NI 1 TAZZA	BRASS SPOUT/NI 1 LONG CUP	BEC LAITON/NICKELE 1 TASSE LONG	AUSGUSS MESSING/NICKEL 1 TASSE LANG
15	27042001	BECCUCCIO OTT/NI 2 TAZZE	2 CUPS BRASS/NICKEL SPOUT	BEC 2 TASSES LAITON/NICKEL	MESSING/NICK. SCHNABEL FÜR 2 TASSEN
16	15263010	MANOPOLA PORTAFILTRO NERA+INSERTO M12	FILTER HOLDER KNOB	POIGNEE PORTE-FILTRE	FILTERHALTER GRIFF
17	15486006	TAPPO MANOPOLA PORTAFILTRO CROMATO	CAP FILTER HOLDER KNOB	BOUCHON POIGNEE PORTE-FILTRE	GRIFFVERSCHLUSS FILTERHALTER
18	27311000	PORTAFILTRO LAV.+ CROM.+MANOPOLA	FILTER HOLDER UNIT	ENSEMBLE PORTE-FILTRE	FILTERHALTER SATZ
19	27050	BECCUCCIO OTT/NI 3 TAZZE CORTO	BRASS SPOUT/NI 3 SHORT CUPS	BEC LAITON/NICKELE 3 TASSES COU	AUSGUSS OTT/NI 3 TASSEN KURZ
20	27304	PORTAFILTRO	FILTER SUPPORT	PORTE-FILTRE	FILTERHALTERUNG
21	27190	FILTRO INOX 3 TAZZE 304/28	3 CUP STAINLESS STEEL FILTER 304/28	FILTRE INOX 3 TASSES 304/28	ROSTFREIER FILTER 3 TASSEN 304/28

INDICE - INDEX - SOMMAIRE - VERZEICHNIS

ACC

ACC-02

ADDOLCITORI - WATER SOFTENER - ADOUCISSEUR - ENTHARTER

rev.

01
05/2007

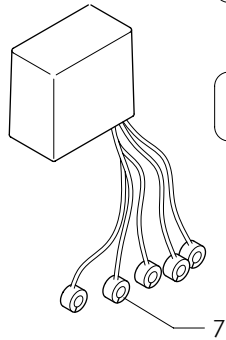
ADDOLCITORI
WATER SOFTENER
ADOUCISSEUR
ENTHARTER

MULTIHEAD

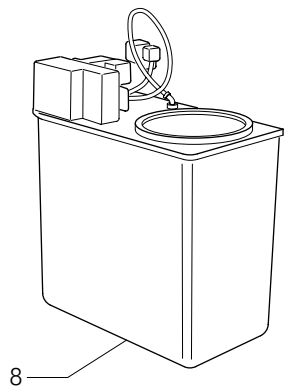
1	1GR
2	2GR
3	3GR
4	4GR

SIBILLA

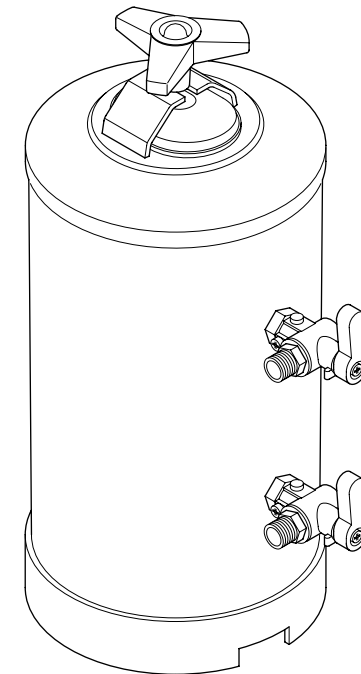
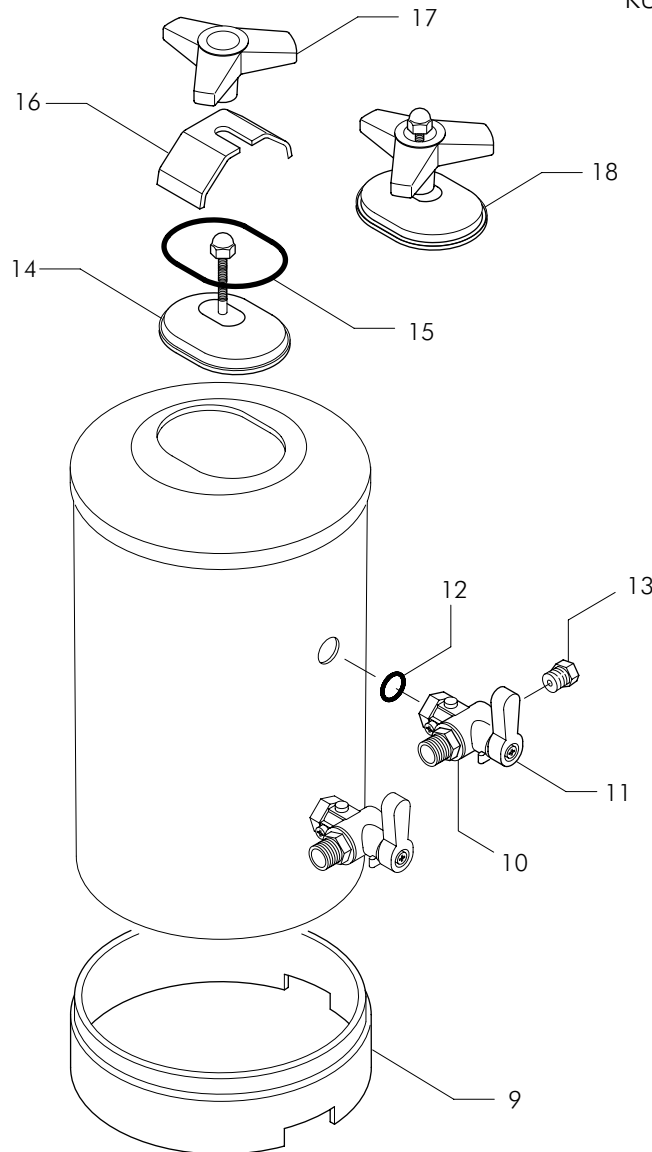
5	2GR
6	3GR



AUTOMATICO-AUTOMATIC
AUTOMATIQUE-AUTOMATISCHE

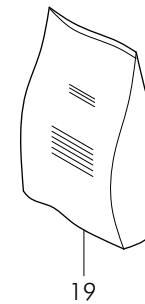


RESINE - RESIN
KUNSTHARZ



20	5 LT
21	8 LT
22	12 LT
23	16 LT
24	20 LT

BY-PASS	
25	8 LT
26	12 LT
27	16 LT



Pos	Cod.	Denominazione - IT -	Denomination - GB -	Denomination - FR -	Denomination - DE -
1	83260006R	KIT ADD.MULTIHEAD 1GR 120V	MULTIHEAD SOFTENER KIT 1GR 120V	KIT ADOUCISSEUR MULTIHEAD 1GR 120V	ELEKT.ENTKAELKER MULTIHEAD 1GR 120V
1	83260007R	KIT ADD.MULTIHEAD 1GR 230V	MULTIHEAD SOFTENER KIT 1GR 230V	KIT ADOUCISSEUR MULTIHEAD 1GR 230V	ELEKT.ENTKAELKER MULTIHEAD 1GR 230V
2	83260025R	KIT ADD.MULTIHEAD 2GR 120V	MULTIHEAD SOFTENER KIT 2GR 120V	KIT ADOUCISSEUR MULTIHEAD 2GR 120V	ELEKT.ENTKAELKER MULTIHEAD 2GR 120V
2	83260026R	KIT ADD.MULTIHEAD 2GR 230V	MULTIHEAD SOFTENER KIT 2GR 230V	KIT ADOUCISSEUR MULTIHEAD 2GR 230V	ELEKT.ENTKAELKER MULTIHEAD 2GR. 230V
3	83260028R	KIT ADD.MULTIHEAD 3GR 230V	MULTIHEAD SOFTENER KIT 3GR 230V	KIT ADOUCISSEUR MULTIHEAD 3GR 230V	ELEKT.ENTKAELKER MULTIHEAD 3GR. 230V
4	83260029R	KIT ADD.MULTIHEAD 4GR 230V	MULTIHEAD SOFTENER KIT 4GR 230V	KIT ADOUCISSEUR MULTIHEAD 4GR 230V	ELEKT.ENTKAELKER MULTIHEAD 4GR. 230V
5	83260019R	KIT ADD.MULTIHEAD 2GR 120V	MULTIHEAD SOFTENER KIT 2GR 120V	KIT ADOUCISSEUR MULTIHEAD 2GR 120V	ELEKT.ENTKAELKER MULTIHEAD 2GR 120V
5	83260020R	KIT ADD.MULTIHEAD 2GR 230V	MULTIHEAD SOFTENER KIT 2GR 230V	KIT ADOUCISSEUR MULTIHEAD 2GR 230V	ELEKT.ENTKAELKER MULTIHEAD 2GR 230V
6	83260022R	KIT ADD.MULTIHEAD 3GR 230V	MULTIHEAD SOFTENER KIT 3GR 230V	ADOUCISSEUR MULTIHEAD 3GR 230V	ELEKT.ENTKAELKER MULTIHEAD 3GR 230V
7	26038004	TESTA FERRITE MULTIHEAD	FERRITE RING MULTIHEAD	ANNEAU EN FERRITE MULTIHEAD	FERRITRING MULTIHEAD
8	26037	ADDOLC.AUT.CABIN.LT 8 DM 01 3/8"	AUTOMATIC WATER SOFTENER LT.8	ADOUCISSEUR AUTOMATIQUE LT.8	AUTOMATISCHE ENTHARTER DVA LT.8
8	26037001	ADDOLC.AUT.CABIN.LT 8 3/8" TESTATA USA	AUTOMATIC WATER SOFTENER LT.8 USA	ADOUCISSEUR AUTOMATIQUE LT.8 USA	AUTOMATISCHE ENTHARTER DVA LT.8 USA
9	28072	FONDELLO ADDOLCITORE	SOFTENER PLASTIC LOWER BASE	CULOT ADOUCISSEUR	BODEN ENTKALKER
10	28284	RUBINETTO PER ADDOLCITORE	TAP FOR SOFTENER	ROBINET POUR ADOUCISSEUR	HAHN FÜR ENTHÄRTER
11	28203	MANOPOLA ROSSA RUBINETTO ADDOLCIT.	RED HANDLE X WATER SOFTENER TAP	POIGNEE ROUGE X ROBINET ADOUCISSEUR	ROTER HANDGRIFF X ENTKALKERHAHN
12	12300	GUARNIZIONE OR 113 NBR/70	O RING GASKET 113 NBR/70	JOINT OR 113 NBR/70	OR-DICHTUNG 113 NBR/70
13	10320500	GIGLER OT X ADOLCITORE M6 FORO D-1 R13	SOFTENER LOWER TAP GIGLEUR	GICLEUR LAITON POUR ADOUCISSEUR M6 X	VERMESSINGTE ENTKALKER M6 D-0,8
14	28071	CORPO TAPPO + TIRANTEXADDOLCIT. C11	CAP + TIE ROD FOR SOFTENER	BOUCHON ADOUCISSEUR	ENTKALKERSTOPFEN
15	12410	GUARNIZIONE X TAPPO ADDOLCITORE	GASKET X WATER SOFTENER CAP	JOINT X BOUCHON ADOUCISSEUR	DICHTUNG X ENTKALKERSTOPFEN
16	28324	STAFFA TAPPO ADDOLCITORE C12	BRACKET CAP FOR SOFTENER	MEULE BOUCHON ADOUCISSEUR	BUGEL ENTKALKER
17	28205	MANOPOLA TAPPO ADDOLCITORE C9	SOFTENER TOP PLASTIC KNOB	POIGNEE BOUCHON ADOUCISSEUR	ENTKALKER HANDGRIFF
18	28205001	TAPPO ADDOLCITORE COMPLETO C10	SOFTENER COMLETE TOP LID	BOUCHON ADOUCISSEUR	DECKEL FUER ENTKALKER
19	28283	RESINA PER ADDOLCITORE	SOFTENER RESIN	RESINE ADOUCISSEUR	KUNSTHARZ FUR ENTKALKER
20	26029	ADDOLCITORE DVA LT 5	DVA 5 LT WATER SOFTENER	ADOUCISSEUR DVA LT 5	ENTKALKER DVA LT 5
21	26030	ADDOLCITORE DVA LT 8	DVA 8 LT WATER SOFTENER	ADOUCISSEUR DVA LT 8	ENTHÄRTER DVA LT 8
22	26031	ADDOLCITORE DVA LT 12	DVA 12 LT WATER SOFTENER	ADOUCISSEUR DVA LT 12	ENTHÄRTER DVA LT 12
23	26032	ADDOLCITORE DVA LT 16	DVA 16 LT WATER SOFTENER	ADOUCISSEUR DVA LT 16	ENTHÄRTER DVA LT 16
24	26038011	ADDOLCITORE DVA LT 20	DVA 20 LT WATER SOFTENER	ADOUCISSEUR DVA LT 20	ENTHÄRTER DVA LT 20
25	26033	ADDOLCITORE DVA LT 8 BY-PASS	WATER SOFTENER DVA LT. 8 BY-PASS	ADOUCISSEUR DVA LT. 8 BY-PASS	ENTKALKER DVA LT.8 BY-PASS
26	26034	ADDOLCITORE DVA LT 12 BY-PASS	WATER SOFTENER DVA LT. 12 BY-PASS	ADOUCISSEUR DVA LT. 12 BY-PASS	ENTHARTER DVA LT.12 BY-PASS
27	26035	ADDOLCITORE DVA LT 16 BY-PASS	WATER SOFTNER DVA LT. 16 BY-PASS	ADOUCISSEUR DVA LT. 16 BY-PASS	ENTHALTER DVA LT.16 BY-PASS