

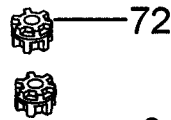
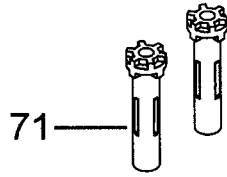
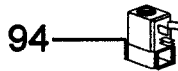
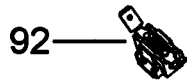
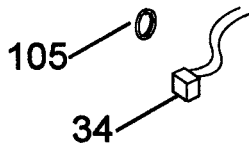
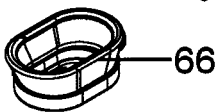
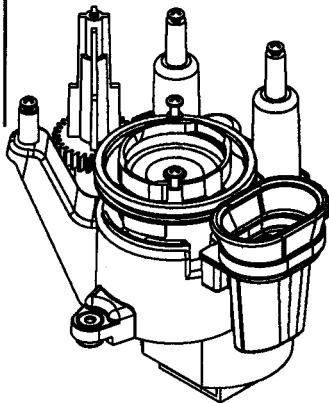
TEST LABEL



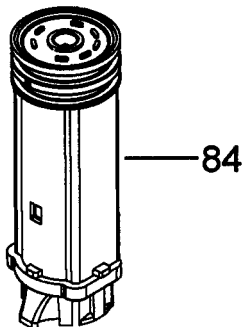
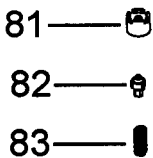
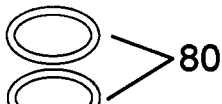
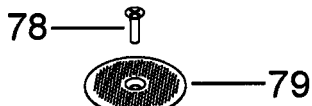
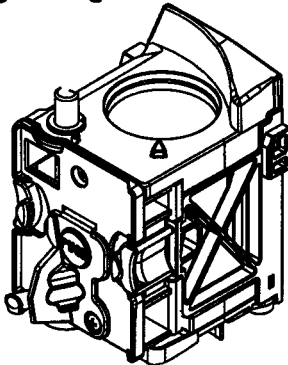
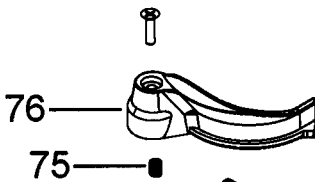
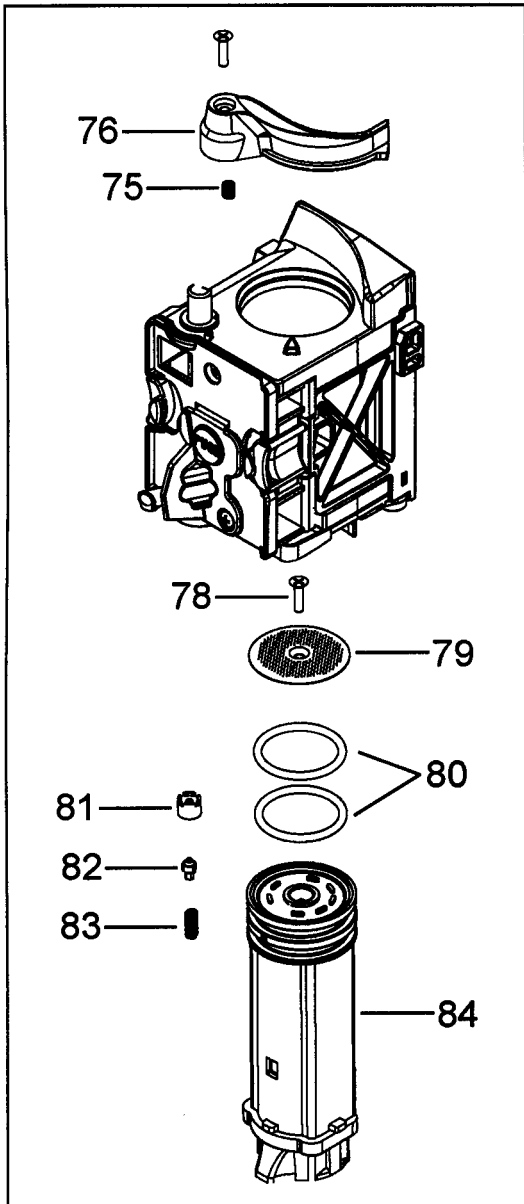
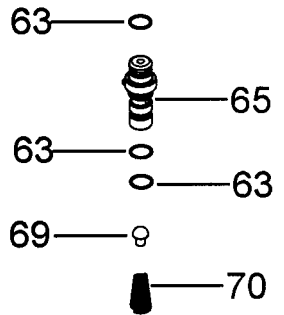
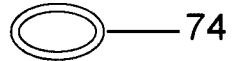
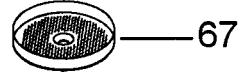
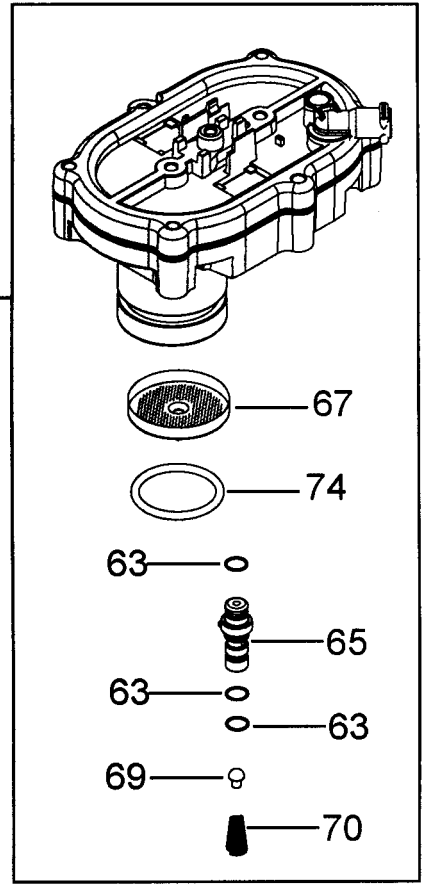
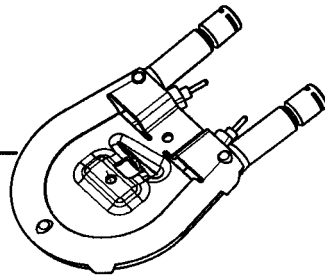
TO PLACE AN ORDER CHECK THE LABEL

CCCCC **EE** SSSSS PPPP

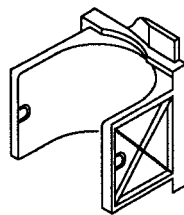
AB=62B



64

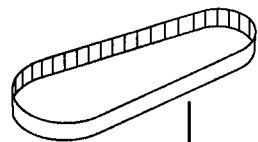
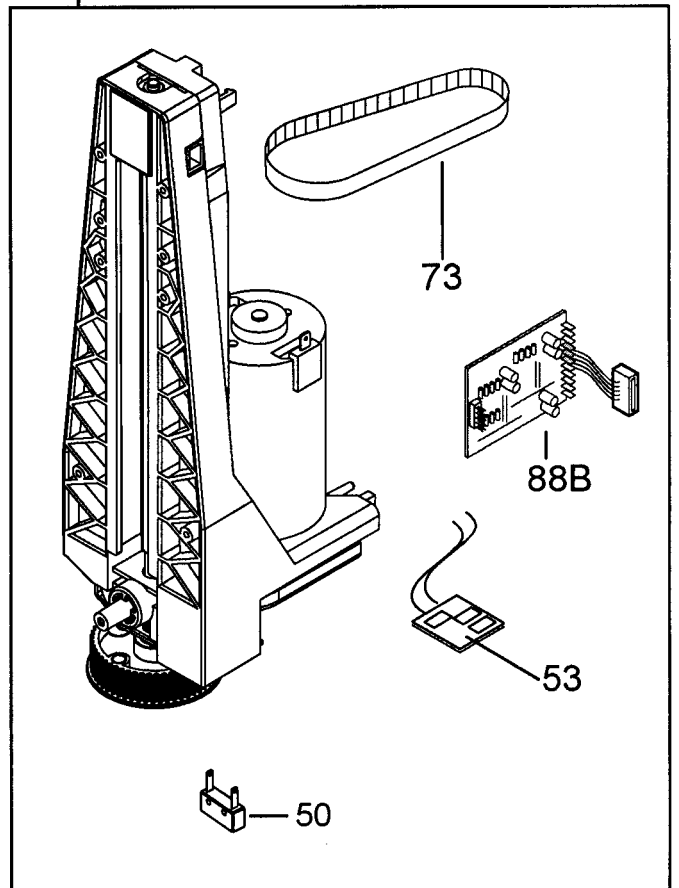


77

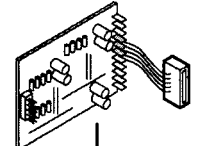


91

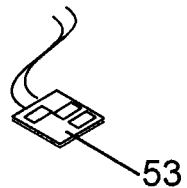
68B



73



88B



53



50

DE'LONGHI
AU NZ ESAM4500

Pos.	Code	Description
	5313210401	COVER-SAVE FINGERS B BLACK
	7313217261	MOTOR ASSEMBLY
	5332224100	BELT
	5332164700	RUNNER FRAME
	5013252911	CAB CONTATORE-VOLUMETRICO L630(PVC) MCSA
	6913210031	E.VALVE BRACKET 3WAY DEGREASED MCSA
	6913210021	E.VALVE BRACKET 2WAY(S.VAP) DEGREASED
	5332108700	GASKET
	5332215100	GASKET PIPE STIFF(NBR FOOD)BLACK 60SH-A
001	5332187300	COVER
002	5332187200	COVER
004	7313224481	CLOSURE
005	5332187500	SIDE LEFT
006	5913210471	KNOB
007	5532146600	TANK
008	5332187600	REAR PANEL
009	5332187400	SIDE RIGHT
010	5532134100	CONTROL PANEL
012	7313220561	DOOR ASSY
013	5332142600	HOOK
014	5332145600	COVER
015	7313228241	TANK
016	5332203200	PROFILE
017	6032107700	CUP PLATE
018	5332213400	TRAY
019	5332225800	BOTTOM
020	5332266300	FLOAT
021	5332169200	MEASURING SPOON
027	5513219851	TUBE PTFE L=335 NUT 1BUSHE
028	6132101300	CLIP
030	5032526800	WIRING TCO
031	5332142200	SUPPORT
032	5132104100	MICROSWITCH
033	6132104700	SPRING
034	5217100200	SENSOR NTC
035	7313219431	VALVE
036B	5213212811	POWER BOARD

DE'LONGHI
AU NZ ESAM4500

037	5332225700	SUPPORTO
038	5113211281	PUMP
039	5232103200	PROTECTOR
040	5513212881	TUBE PTFE DI2-DE4 L=270 2BUSHES
043	5113210421	MICROSWITCH
044	5213212871	CONTROL BOARD
048	5332218900	PUSH BUTTON
050A	5132105400	MICROSWITCH
051	5513220521	FILTER
052	VI000	SEE TECHNICAL INFORMATION
053	5213213971	HALL SENSOR
054	5213214671	FLOWMETER
055	5232104600	SENSOR REED
062B	7332203600	COMPLETE GRINDER
063	5313217751	O-RING
064	7313213911	GENERATOR
065	5332213000	PIN
066	5332144900	GASKET
067	5332139200	FILTER
068B	7313226111	TRANSMISSION KIT
069	5332148400	VALVE
070	6132106900	SPRING
071	5332142300	BUSH
072	5332142400	BUSH
073	5332170600	BELT
074	5332149100	O-RING
075	6132103500	SPRING
076	5332139800	LEVER
077	7332183900	DIFFUSER KIT
078	9812631250	SCREW
079	6032105300	FILTER
081	5332139600	STOPPER
082	5332139500	VALVE
083	6132106700	SPRING
084	5332140300	PISTON
088B	5213212381	MOTOR BOARD
089	5332203400	COVER
090	534848	SUPPORT

DE'LONGHI
AU NZ ESAM4500

091	7332166600	SLIDER
092	5232105000	TCO
094	5213210181	SOLENOID VALVE
095	IT0286	SEE TECNICAL INFORMATION
096	5332195000	GLASS
097	5932124600	FRONT PANEL
099	5332194900	COVER
100	5332195300	KEYBOARD
105	5313217701	O-RING D=3,85
106	5332219000	PUSH BUTTON
107	7313210921	COVER
108	5513218341	TANK
109	5313219491	SUPPORT
110	5213210171	SOLENOID VALVE
111	5532133900	COUPLING
112	5532124900	PIPETTE